

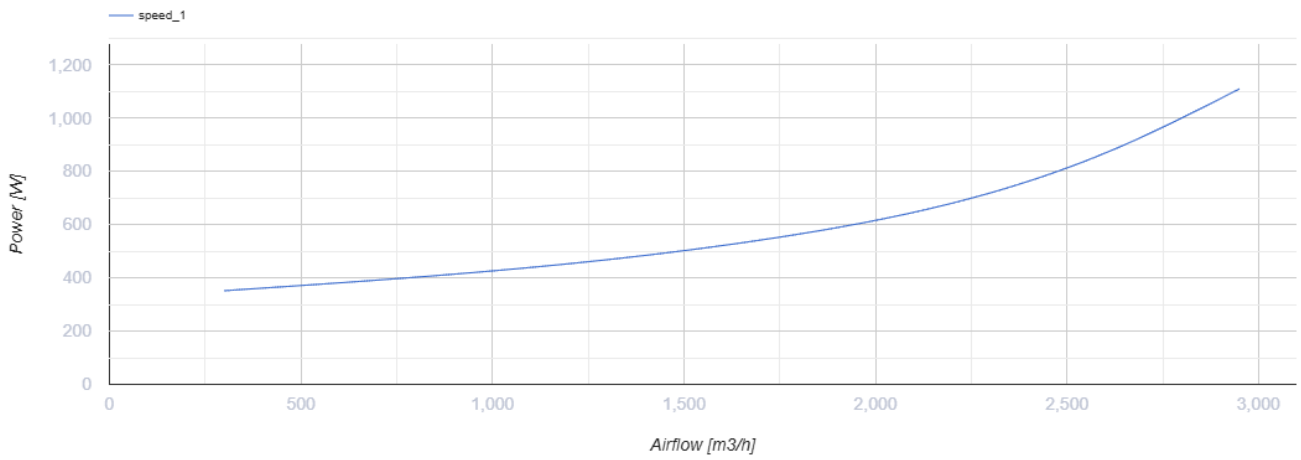
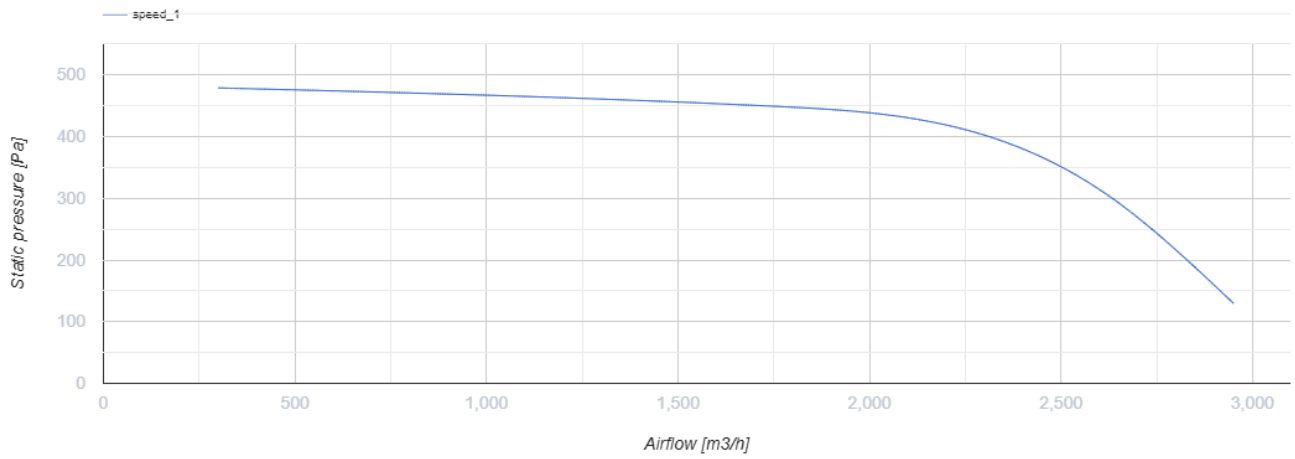
VKPF1 4E 600x300



Inline sound- and heat-insulated centrifugal fans for rectangular ducts

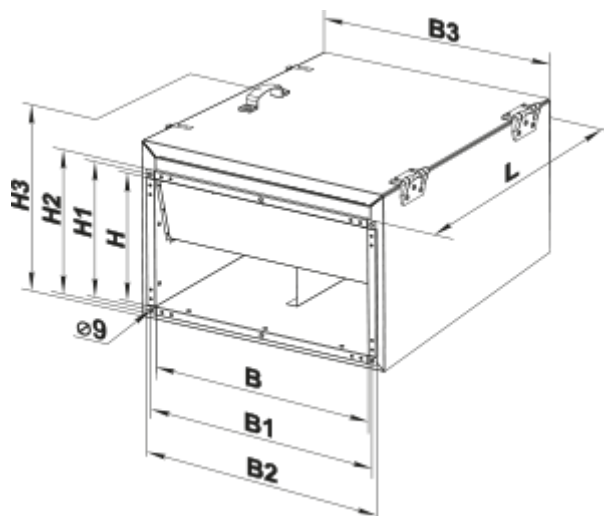
- Maximum airflow: 2950
- Sound pressure level LpA at 3 m: 51
- Sound insulation
- Motor type: AC
- Impeller type: Centrifugal forward curved blades
- Casing material: Galvanized steel
- Installation in any position

	Unit of measurement	VKPF1 4E 600x300
Connected air duct size	mm	600x300
Speed	-	1
Minimum supply voltage	V	230
Maximum supply voltage	V	230
Power supply frequency	Hz	50
Rated power	W	1240
Unit current	A	6.45
Maximum airflow	m ³ /h	2950
Sound pressure level LpA at 3 m	dB(A)	51
Weight	kg	56
Transported air temperature (max)	°C	50
Transported air temperature (min)	°C	-25
Ingress protection rating	-	IPX4
Ingress protection rating of the drive	-	IP44



Dimensions

B	B1	B2	B3	H	H1	H2	H3	L
600	620	640	670	300	320	340	480	680



Ecodesign

Trademark	Vents
Model	VKPMI 4E 600x300
Type of drive installed	External MSD or VSD
Type of heat recovery system	None
Nominal flow rate (m ³ /s)	0.396
Nominal external pressure (Pa)	473
Maximum external leakage rates (%)	2.7
Static efficiency (%)	34.4
Declared typology	NRVU UVU
Sound power level (dB(A))	71
Effective electric power input (kW)	0.555