

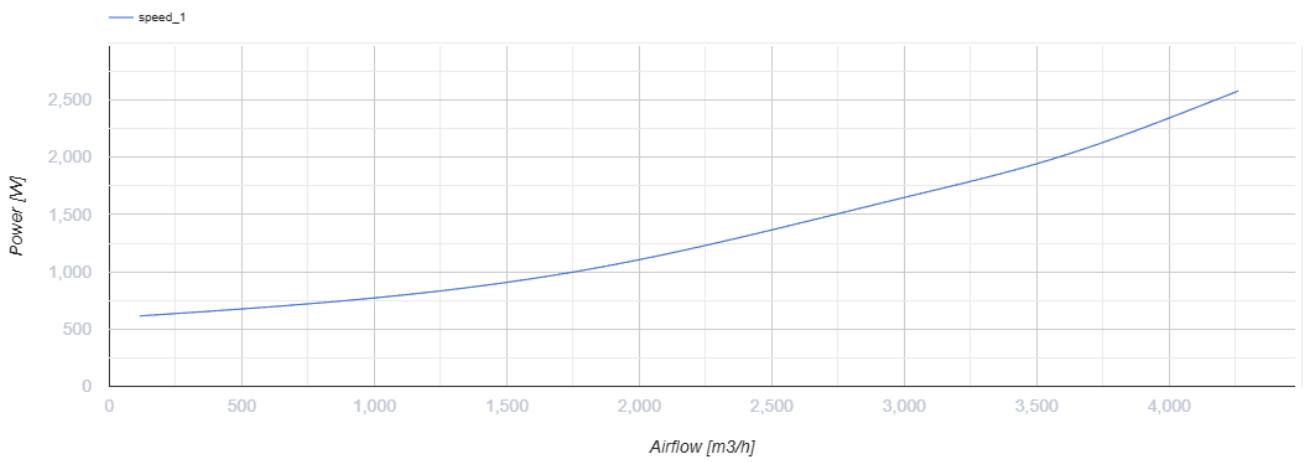
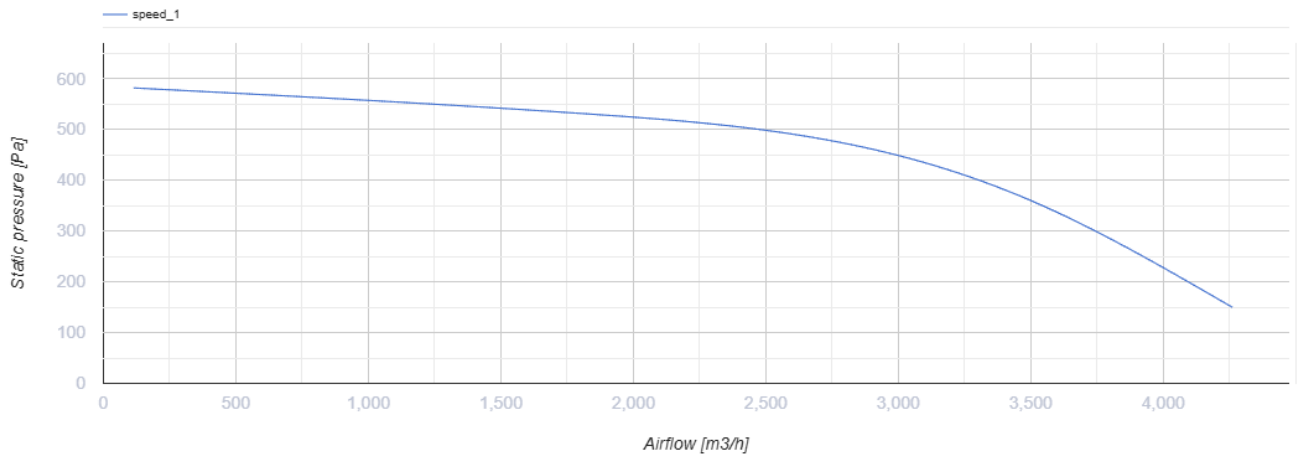
VKPF1 4E 600x350



Inline sound- and heat-insulated centrifugal fans for rectangular ducts

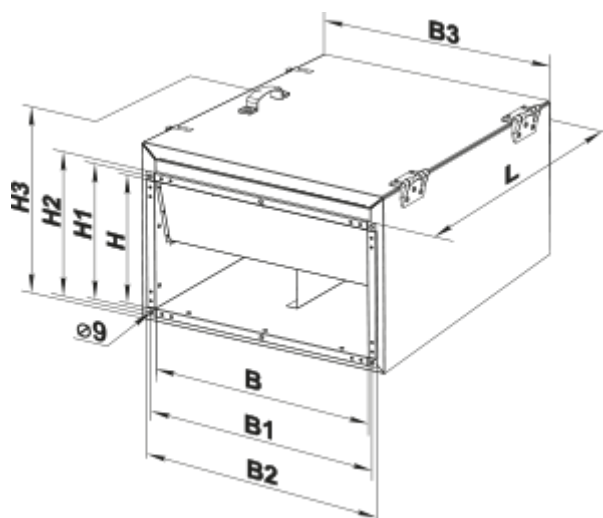
- Maximum airflow: 4260
- Sound pressure level LpA at 3 m: 51
- Sound insulation
- Motor type: AC
- Impeller type: Centrifugal forward curved blades
- Casing material: Galvanized steel
- Installation in any position

| | Unit of measurement | VKPF1 4E 600x350 |
|--|---------------------|------------------|
| Connected air duct size | mm | 600x350 |
| Speed | - | 1 |
| Minimum supply voltage | V | 230 |
| Maximum supply voltage | V | 230 |
| Power supply frequency | Hz | 50 |
| Rated power | W | 2840 |
| Unit current | A | 13.9 |
| Maximum airflow | m ³ /h | 4260 |
| Sound pressure level LpA at 3 m | dB(A) | 51 |
| Weight | kg | 72 |
| Transported air temperature (max) | °C | 40 |
| Transported air temperature (min) | °C | -20 |
| Ingress protection rating | - | IPX4 |
| Ingress protection rating of the drive | - | IP44 |



Dimensions

| B | B1 | B2 | B3 | H | H1 | H2 | H3 | L |
|-----|-----|-----|-----|-----|-----|-----|-----|-----|
| 600 | 620 | 640 | 670 | 350 | 370 | 390 | 530 | 735 |



Ecodesign

| Trademark | Vents |
|---------------------------------------|---------------------|
| Model | VKPF1 4E 600x350 |
| Type of drive installed | External MSD or VSD |
| Type of heat recovery system | None |
| Nominal flow rate (m ³ /s) | 0.559 |
| Nominal external pressure (Pa) | 521 |
| Maximum external leakage rates (%) | 2.7 |
| Static efficiency (%) | 26.8 |
| Declared typology | NRVU UVU |
| Sound power level (dB(A)) | 71 |
| Effective electric power input (kW) | 1.11 |