

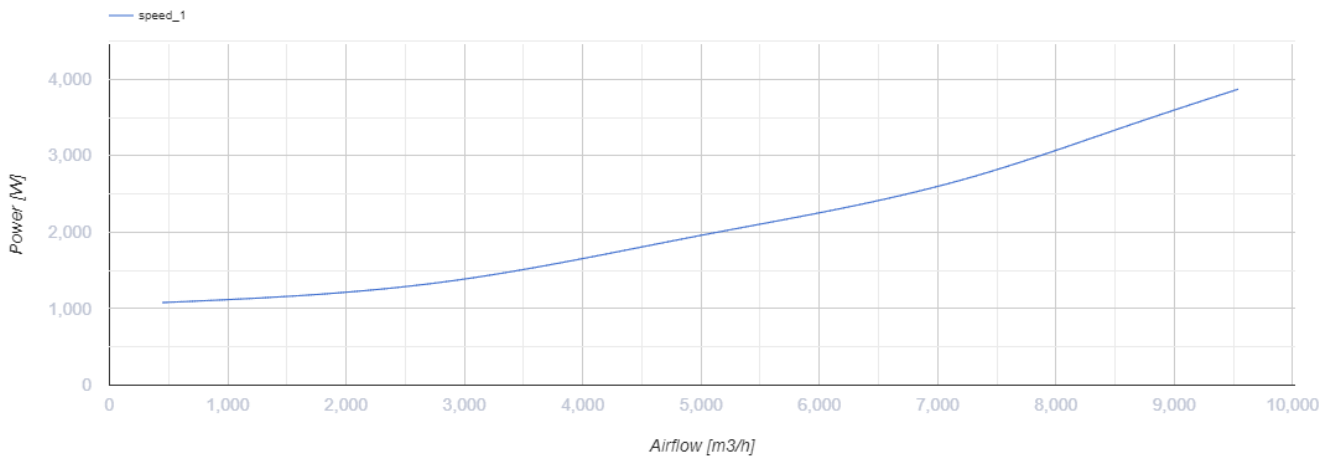
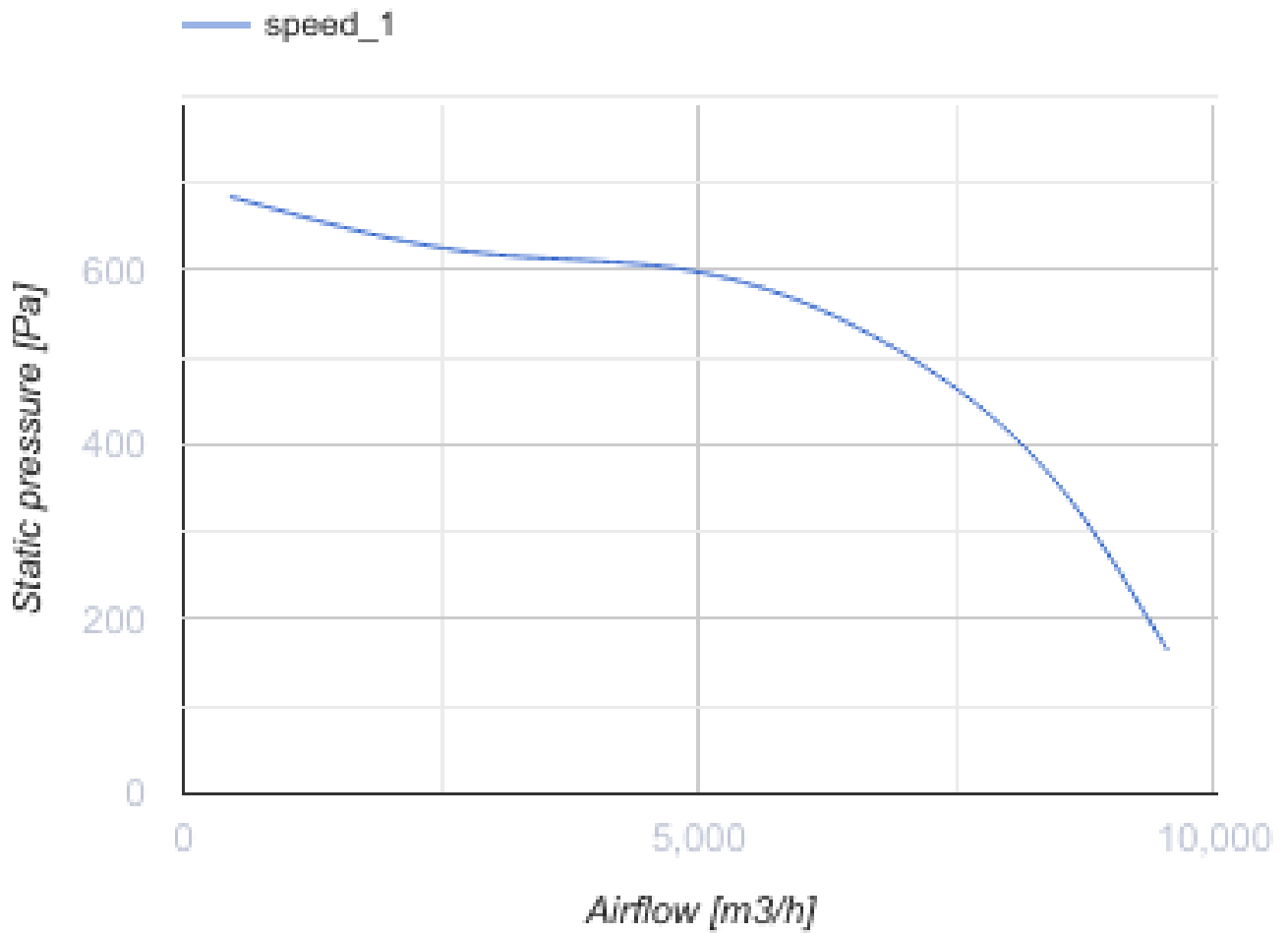
# VKPF1 6D 1000x500

Inline sound- and heat-insulated centrifugal fans for rectangular ducts



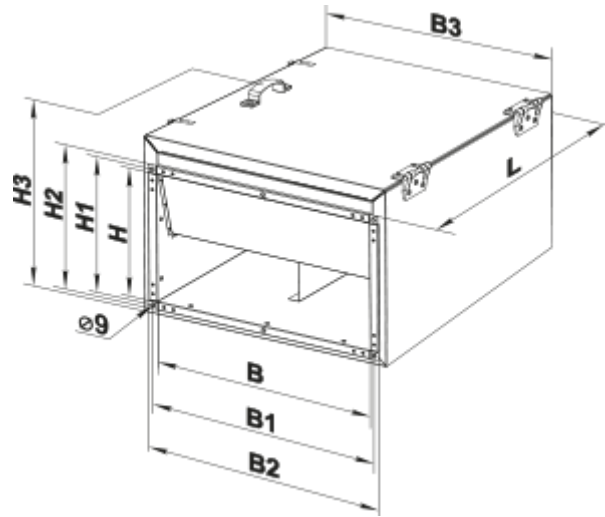
- Maximum airflow: 9540
- Sound pressure level LpA at 3 m: 55
- Sound insulation
- Motor type: AC
- Impeller type: Centrifugal forward curved blades
- Casing material: Galvanized steel
- Installation in any position

|  | Unit of measurement | VKPF1 6D 1000x500 |
|--|---------------------|-------------------|
| Connected air duct size                | mm                  | 1000x500          |
| Speed                                  | -                   | 1                 |
| Minimum supply voltage                 | V                   | 400               |
| Maximum supply voltage                 | V                   | 400               |
| Power supply frequency                 | Hz                  | 50                |
| Rated power                            | W                   | 3870              |
| Unit current                           | A                   | 7                 |
| Maximum airflow                        | m <sup>3</sup> /h   | 9540              |
| Sound pressure level LpA at 3 m        | dB(A)               | 55                |
| Weight                                 | kg                  | 150               |
| Transported air temperature (max)      | °C                  | 55                |
| Transported air temperature (min)      | °C                  | -20               |
| Ingress protection rating              | -                   | IPX4              |
| Ingress protection rating of the drive | -                   | IP44              |



## Dimensions

| <b>B</b> | <b>B1</b> | <b>B2</b> | <b>B3</b> | <b>H</b> | <b>H1</b> | <b>H2</b> | <b>H3</b> | <b>L</b> |
|----------|-----------|-----------|-----------|----------|-----------|-----------|-----------|----------|
| 1000     | 1020      | -         | 1100      | 500      | 520       | -         | 720       | 1000     |



## Ecodesign

| Trademark                             | Vents               |
|---------------------------------------|---------------------|
| Model                                 | VKPF1 6D 1000x500   |
| Type of drive installed               | External MSD or VSD |
| Type of heat recovery system          | None                |
| Nominal flow rate (m <sup>3</sup> /s) | 1.442               |
| Nominal external pressure (Pa)        | 590                 |
| Maximum external leakage rates (%)    | 2.7                 |
| Static efficiency (%)                 | 43.2                |
| Declared typology                     | NRVU UVU            |
| Effective electric power input (kW)   | 2.01                |
| Sound power level (dB(A))             | 75                  |