

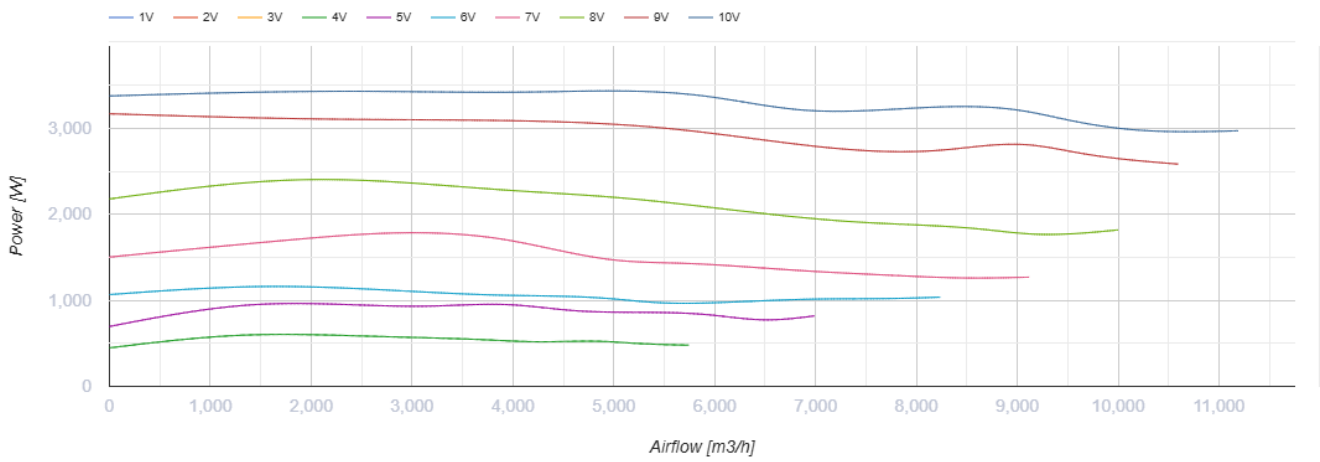
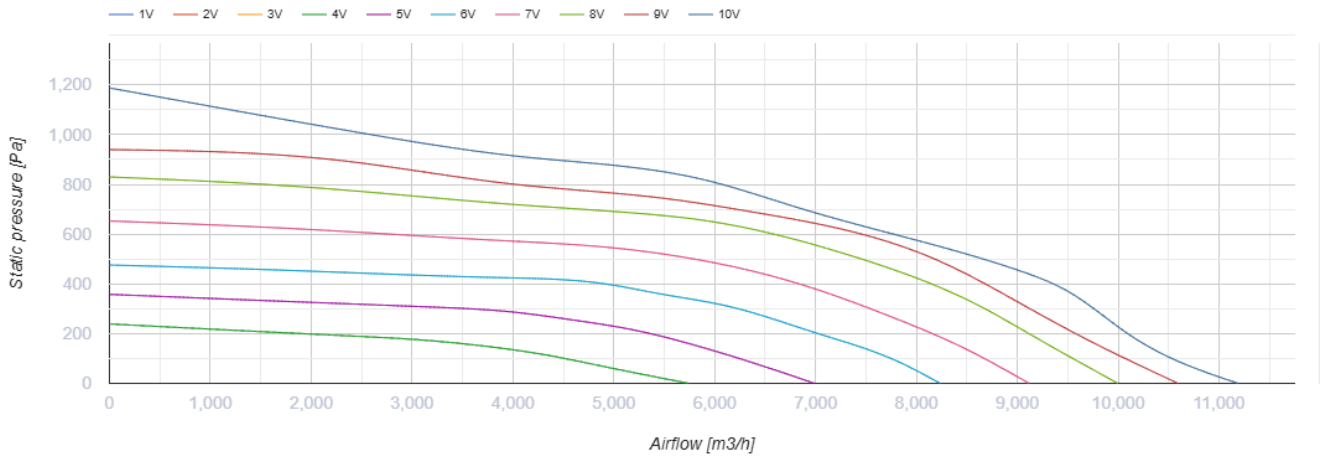
VKPI 1000x500 L3 EC

Centrifugal fans for rectangular ducts



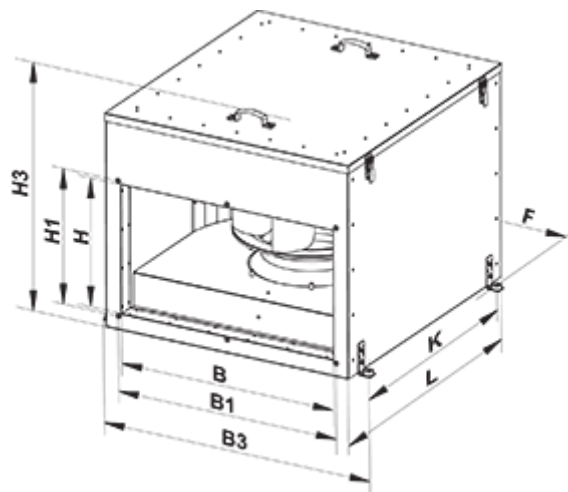
- Maximum airflow: 11190
- Sound pressure level LpA at 3 m: 47
- Sound insulation
- Motor type: EC
- Impeller type: Centrifugal backward curved blades
- Casing material: Galvanized steel
- Installation in any position

	Unit of measurement	VKPI 1000x500 L3 EC
Connected air duct size	mm	1000x500
Speed	-	1
Minimum supply voltage	V	400
Maximum supply voltage	V	400
Power supply frequency	Hz	50/60
Rated power	W	3429
Unit current	A	5
Maximum airflow	m ³ /h	11190
Sound pressure level LpA at 3 m	dB(A)	47
Weight	kg	130
Transported air temperature (max)	°C	50
Transported air temperature (min)	°C	-25
Ingress protection rating	-	IPX4
Ingress protection rating of the drive	-	IP54



Dimensions

B	B1	B3	H	H1	H3	L	F	K
1000	1020	1183	500	520	814	1052	1155	850



Ecodesign

Trademark	Vents
Model	VKPI 1000x500 L3 EC
Type of drive installed	Integrated VSD
Type of heat recovery system	None
Nominal flow rate (m ³ /s)	1.509
Nominal external pressure (Pa)	362
Maximum external leakage rates (%)	2.7
Static efficiency (%)	62.3
Declared typology	NRVU UVU
Effective electric power input (kW)	0.974
Sound power level (dB(A))	67