

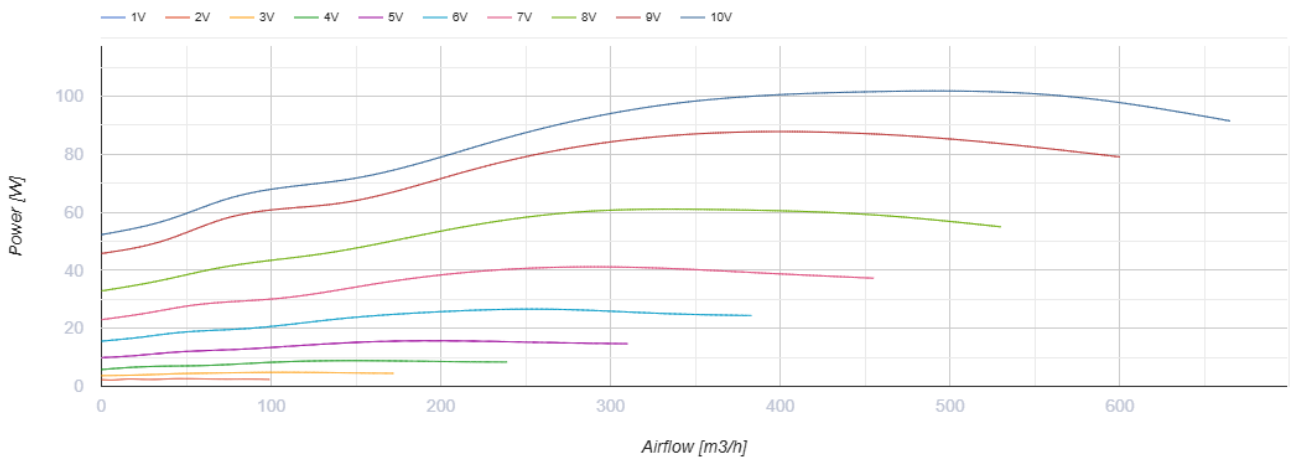
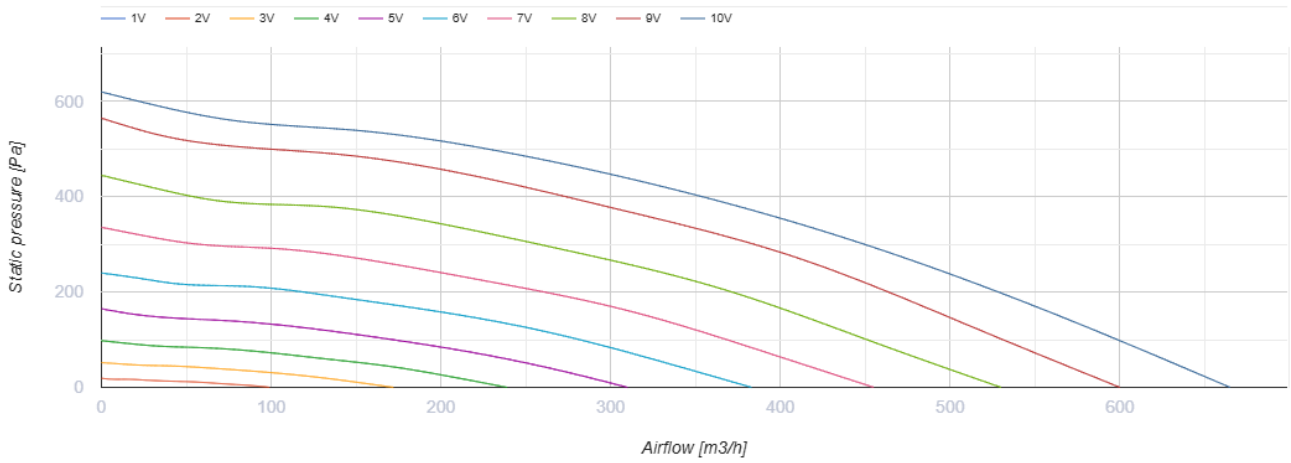
VKPI 300x150 L1 EC

Centrifugal inline fans with backward curved blades in sound-insulated casings with EC-motors



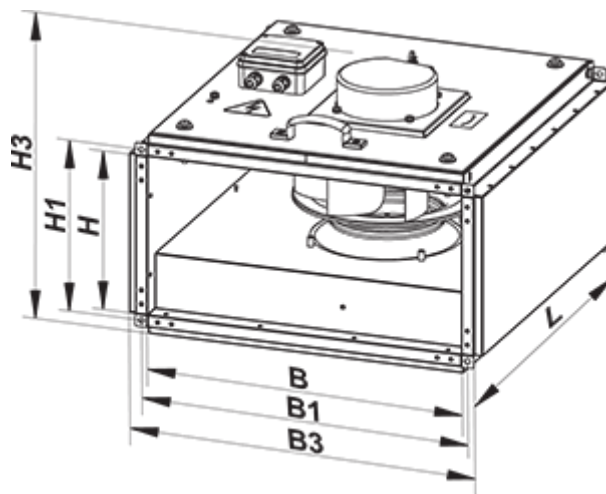
- Maximum airflow: 665
- Sound pressure level LpA at 3 m: 30
- Sound insulation
- Motor type: EC
- Impeller type: Centrifugal backward curved blades
- Casing material: Galvanized steel
- Installation in any position

	Unit of measurement	VKPI 300x150 L1 EC
Connected air duct size	mm	300x150
Speed	-	1
Minimum supply voltage	V	230
Maximum supply voltage	V	230
Power supply frequency	Hz	50/60
Rated power	W	101
Unit current	A	0.8
Maximum airflow	m ³ /h	665
Sound pressure level LpA at 3 m	dB(A)	30
Weight	kg	10.3
Transported air temperature (max)	°C	50
Transported air temperature (min)	°C	-25
Ingress protection rating	-	IPX4
Ingress protection rating of the drive	-	IP54

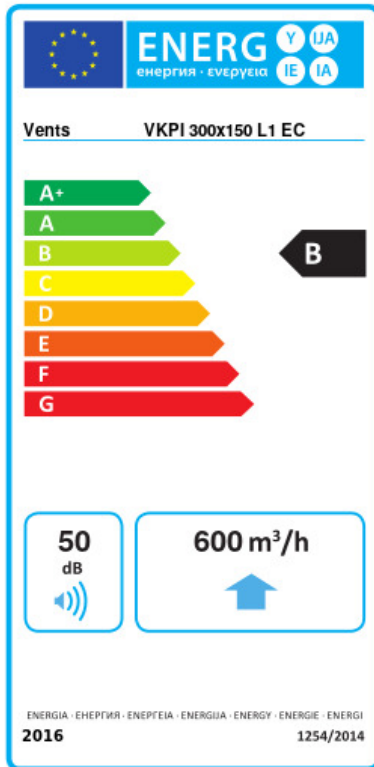


Dimensions

B	B1	B3	H	H1	H3	L
300	320	364	150	170	271	370



Ecodesign



Trademark	Vents					
Model	VKPI 300x150 L1 EC					
Specific energy consumption (SEC) (kWh/(m ² /a))	Cold		Average		Warm	
	-54.1	A+	-27.1	B	-11.6	E
Type of ventilation unit	Unidirectional					
Type of drive installed	Variable speed					
Type of heat recovery system	None					
Maximum flow rate (m ³ /h)	600					
Electric power input (W)	99					
Reference flow rate (m ³ /s)	0.117					
Reference pressure difference (Pa)	50					
Specific power input (SPI) (W/(m ³ /h))	0.092					
Control typology	Local demand control					
Maximum external leakage rates (%)	2.7					
Declared typology	RVU UVU					
Sound power level (dB(A))	50					
The annual electricity consumption (AEC) (kWh/a)	Cold		Average		Warm	
	49		49		49	
The annual heating saved (AHS) (kWh/a)	Cold		Average		Warm	
	5536		2830		1280	