

# VKPI 400x200 M1 EC

Centrifugal fans for rectangular ducts



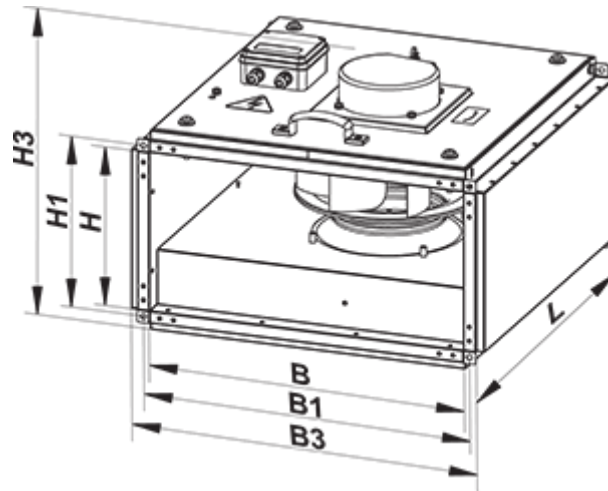
- Maximum airflow: 810
- Sound pressure level LpA at 3 m: 33
- Sound insulation
- Motor type: EC
- Impeller type: Centrifugal backward curved blades
- Casing material: Galvanized steel
- Installation in any position

	Unit of measurement	VKPI 400x200 M1 EC
Connected air duct size	mm	400x200
Speed	-	1
Minimum supply voltage	V	230
Maximum supply voltage	V	230
Power supply frequency	Hz	50/60
Rated power	W	91
Unit current	A	0.69
Maximum airflow	m <sup>3</sup> /h	810
Sound pressure level LpA at 3 m	dB(A)	33
Weight	kg	15.1
Transported air temperature (max)	°C	50
Transported air temperature (min)	°C	-25
Ingress protection rating	-	IPX4
Ingress protection rating of the drive	-	IP55

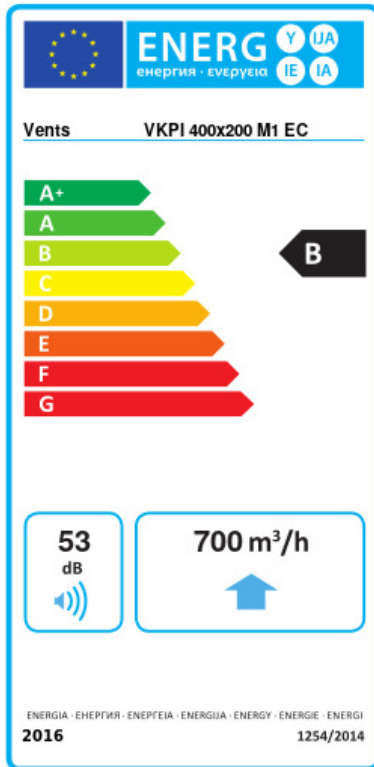


## **Dimensions**

<b>B</b>	<b>B1</b>	<b>B3</b>	<b>H</b>	<b>H1</b>	<b>H3</b>	<b>L</b>
400	420	464	200	220	322	460



## Ecodesign



Trademark	Vents					
Model	VKPI 400x200 M1 EC					
Specific energy consumption (SEC) (kWh/(m <sup>2</sup> /a))	Cold		Average		Warm	
	-54.5	A+	-27.5	B	-12	E
Type of ventilation unit	Unidirectional					
Type of drive installed	Variable speed					
Type of heat recovery system	None					
Maximum flow rate (m <sup>3</sup> /h)	700					
Electric power input (W)	84					
Reference flow rate (m <sup>3</sup> /s)	0.136					
Reference pressure difference (Pa)	50					
Specific power input (SPI) (W/(m <sup>3</sup> /h))	0.063					
Control typology	Local demand control					
Maximum external leakage rates (%)	2.7					
Sound power level (dB(A))	53					
Declared typology	RVU UVU					
The annual electricity consumption (AEC) (kWh/a)	Cold		Average		Warm	
	33		33		33	
The annual heating saved (AHS) (kWh/a)	Cold		Average		Warm	
	5536		2830		1280	