

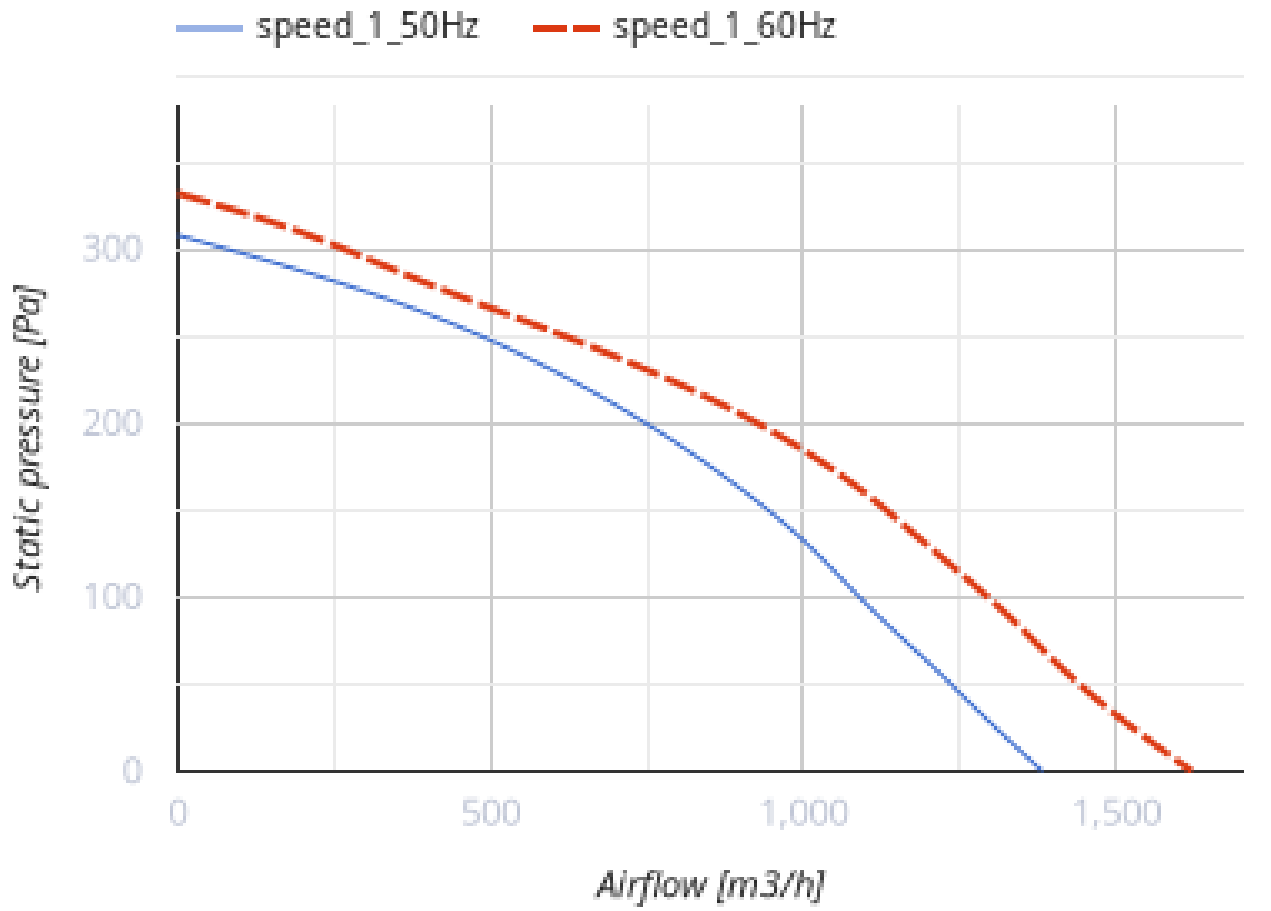
VKPI 4D 500x300

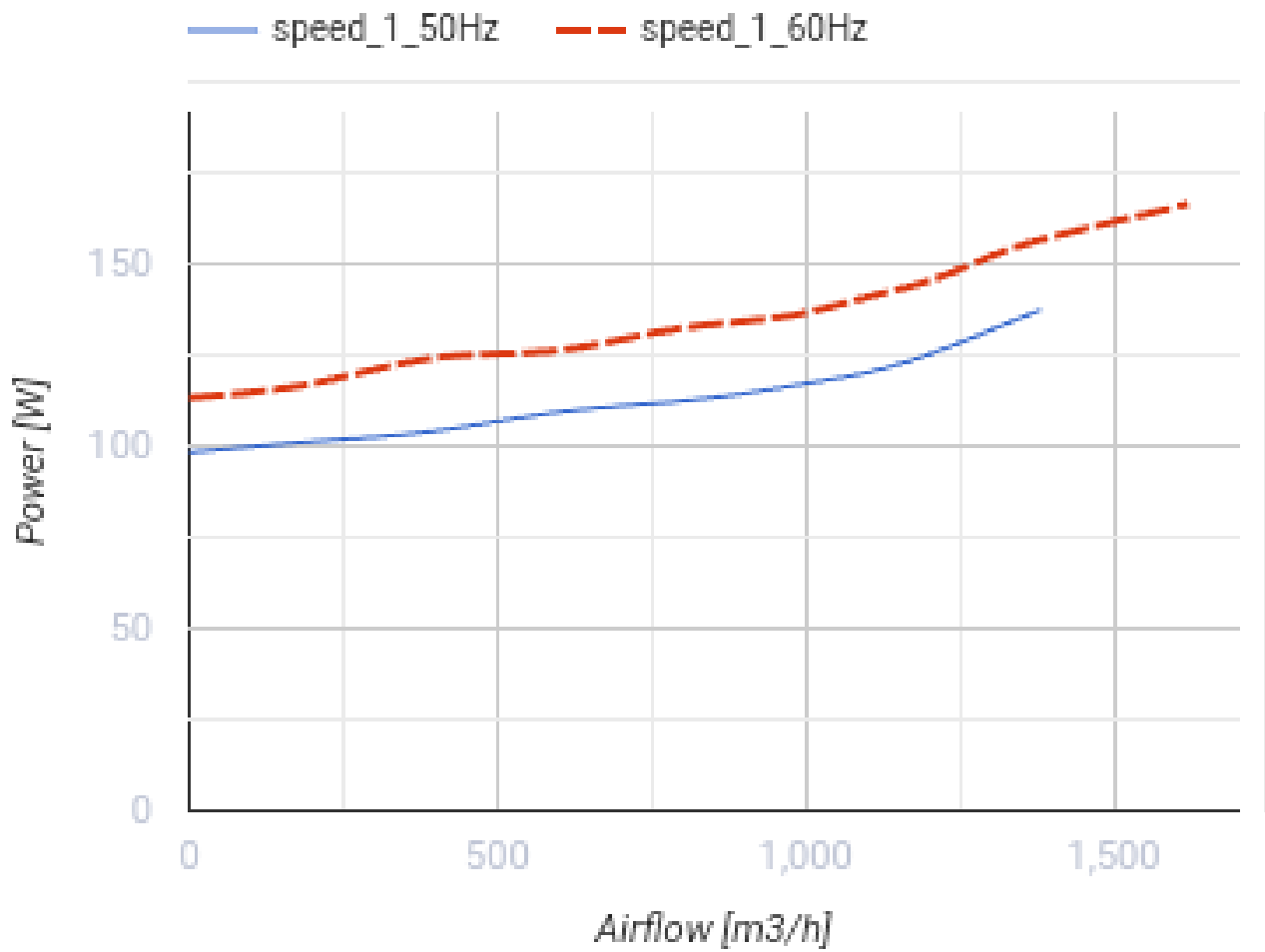


Centrifugal sound- and heat-insulated fans for rectangular ducts

- Maximum airflow: 1380
- Sound pressure level LpA at 3 m: 47
- Sound insulation
- Motor type: AC
- Impeller type: Centrifugal backward curved blades
- Casing material: Galvanized steel
- Installation in any position

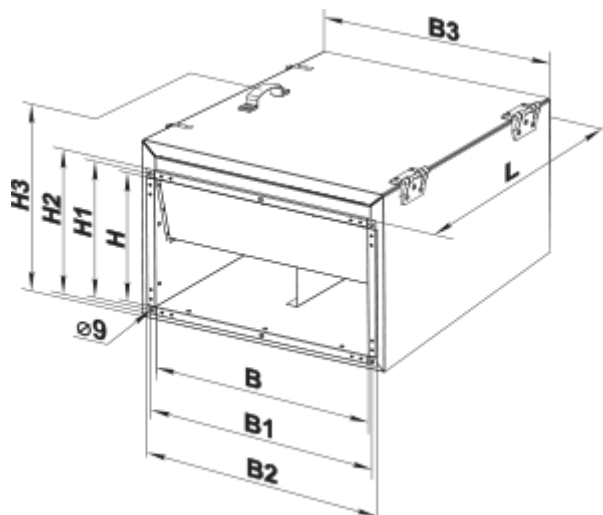
	Unit of measurement	VKPI 4D 500x300
Connected air duct size	mm	500x300
Speed	-	1
Minimum supply voltage	V	400
Maximum supply voltage	V	400
Power supply frequency	Hz	50/60
Rated power	W	136
Unit current	A	0.34
Maximum airflow	m ³ /h	1380
Sound pressure level LpA at 3 m	dB(A)	47
Weight	kg	37.2
Transported air temperature (max)	°C	65
Transported air temperature (min)	°C	-25
Ingress protection rating	-	IPX4
Ingress protection rating of the drive	-	IP44





Dimensions

B	B1	B2	B3	H	H1	H2	H3	L
500	520	540	600	300	320	340	460	680



Ecodesign

Trademark	Vents
Model	VKPI 4D 500x300
Type of drive installed	External MSD or VSD
Type of heat recovery system	None
Nominal flow rate (m ³ /s)	0.227
Nominal external pressure (Pa)	184
Maximum external leakage rates (%)	2.7
Static efficiency (%)	38.3
Declared typology	NRVU UVU
Effective electric power input (kW)	0.111
Sound power level (dB(A))	65