

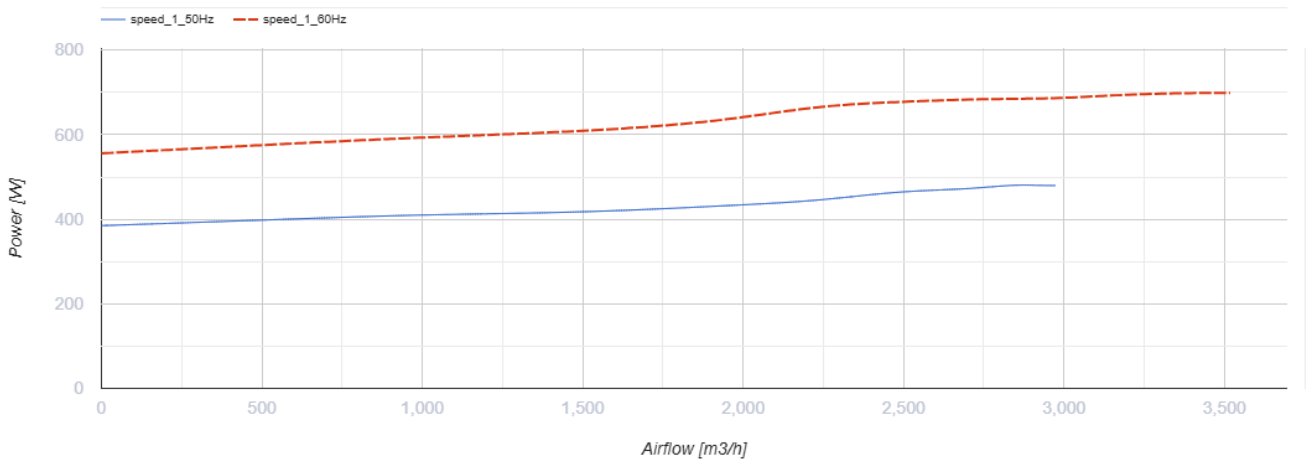
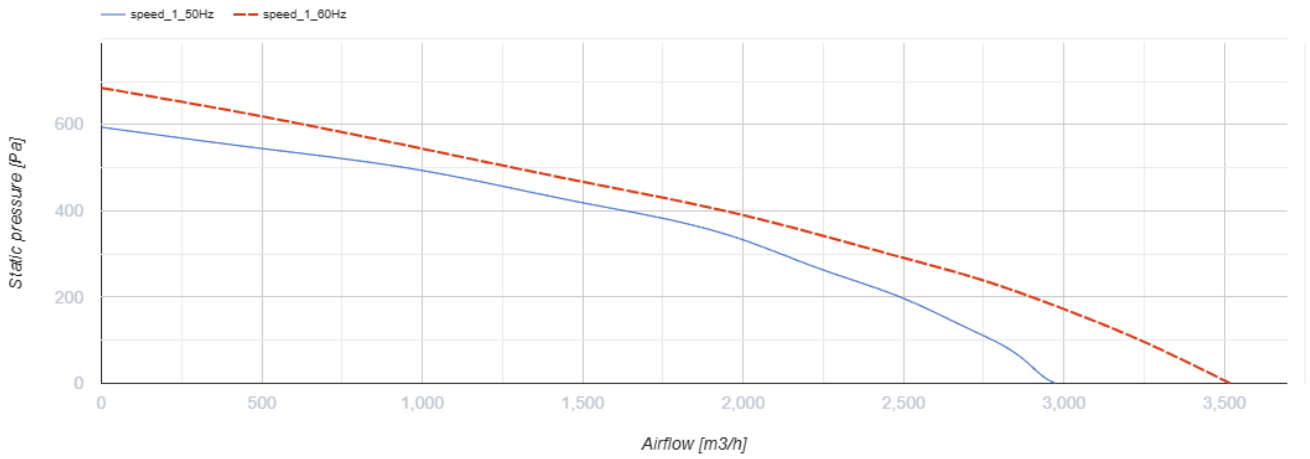
# VKPI 4E 600x350



Centrifugal sound- and heat-insulated fans for rectangular ducts

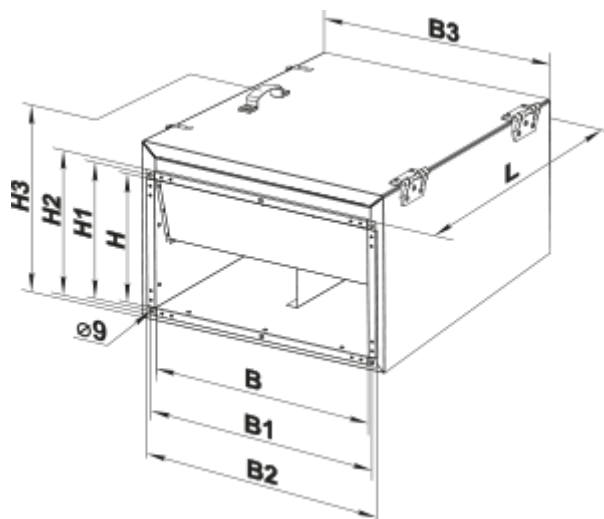
- Maximum airflow: 2950
- Sound pressure level LpA at 3 m: 47
- Sound insulation
- Motor type: AC
- Impeller type: Centrifugal backward curved blades
- Casing material: Galvanized steel
- Installation in any position

	Unit of measurement	VKPI 4E 600x350
Connected air duct size	mm	600x350
Speed	-	1
Minimum supply voltage	V	220
Maximum supply voltage	V	240
Power supply frequency	Hz	50/60
Rated power	W	470
Unit current	A	2.37
Maximum airflow	m <sup>3</sup> /h	2950
Sound pressure level LpA at 3 m	dB(A)	47
Weight	kg	56.2
Transported air temperature (max)	°C	80
Transported air temperature (min)	°C	-30
Ingress protection rating	-	IPX4
Ingress protection rating of the drive	-	IP44



## Dimensions

B	B1	B2	B3	H	H1	H2	H3	L
600	620	640	700	350	370	390	530	735



## Ecodesign

Trademark	Vents
Model	VKPI 4E 600x350
Type of drive installed	External MSD or VSD
Type of heat recovery system	None
Nominal flow rate (m <sup>3</sup> /s)	0.55
Nominal external pressure (Pa)	335
Maximum external leakage rates (%)	2.7
Static efficiency (%)	43.7
Declared typology	NRVU UVU
Sound power level (dB(A))	79
Effective electric power input (kW)	0.43