

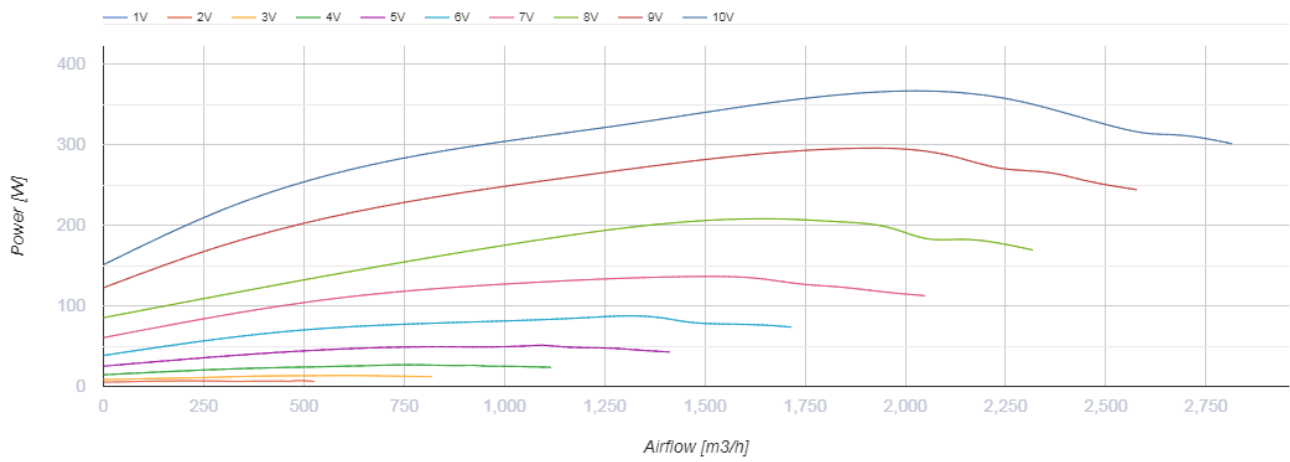
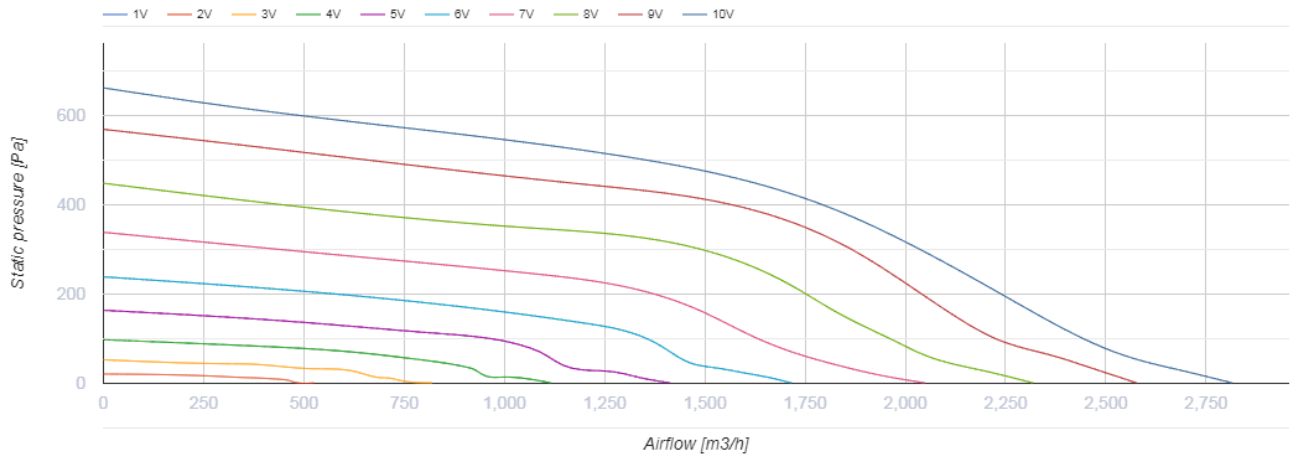
VKPI 600x350 M1 EC

Centrifugal fans for rectangular ducts



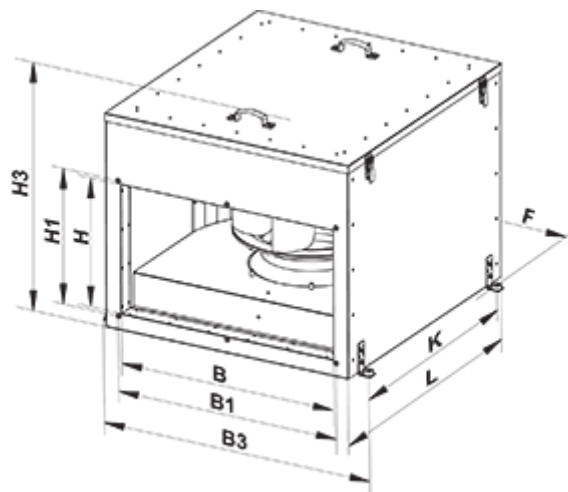
- Maximum airflow: 2815
- Sound pressure level LpA at 3 m: 38
- Sound insulation
- Motor type: EC
- Impeller type: Centrifugal backward curved blades
- Casing material: Galvanized steel
- Installation in any position

	Unit of measurement	VKPI 600x350 M1 EC
Connected air duct size	mm	600x350
Speed	-	1
Minimum supply voltage	V	230
Maximum supply voltage	V	230
Power supply frequency	Hz	50/60
Rated power	W	361
Unit current	A	2.62
Maximum airflow	m ³ /h	2815
Sound pressure level LpA at 3 m	dB(A)	38
Weight	kg	56.6
Transported air temperature (max)	°C	50
Transported air temperature (min)	°C	-25
Ingress protection rating	-	IPX4
Ingress protection rating of the drive	-	IP54



Dimensions

B	B1	B3	H	H1	H3	L	F	K
600	620	783	350	370	664	752	750	450



Ecodesign

Trademark	Vents
Model	VKPI 600x350 M1 EC
Type of drive installed	Integrated VSD
Type of heat recovery system	None
Nominal flow rate (m ³ /s)	0.335
Nominal external pressure (Pa)	445
Maximum external leakage rates (%)	2.7
Static efficiency (%)	65.3
Declared typology	NRVU UVU
Effective electric power input (kW)	0.263
Sound power level (dB(A))	58