

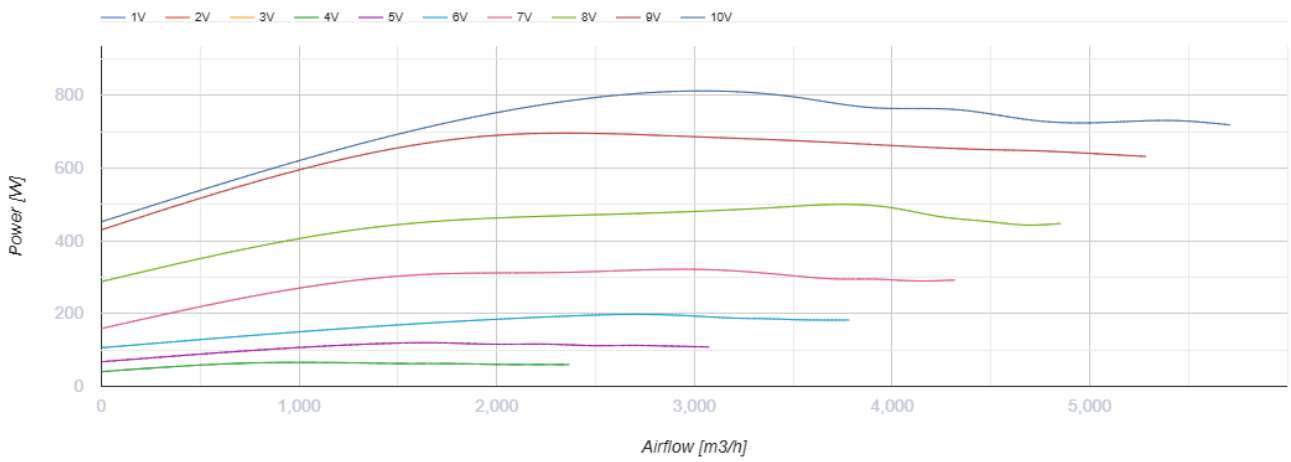
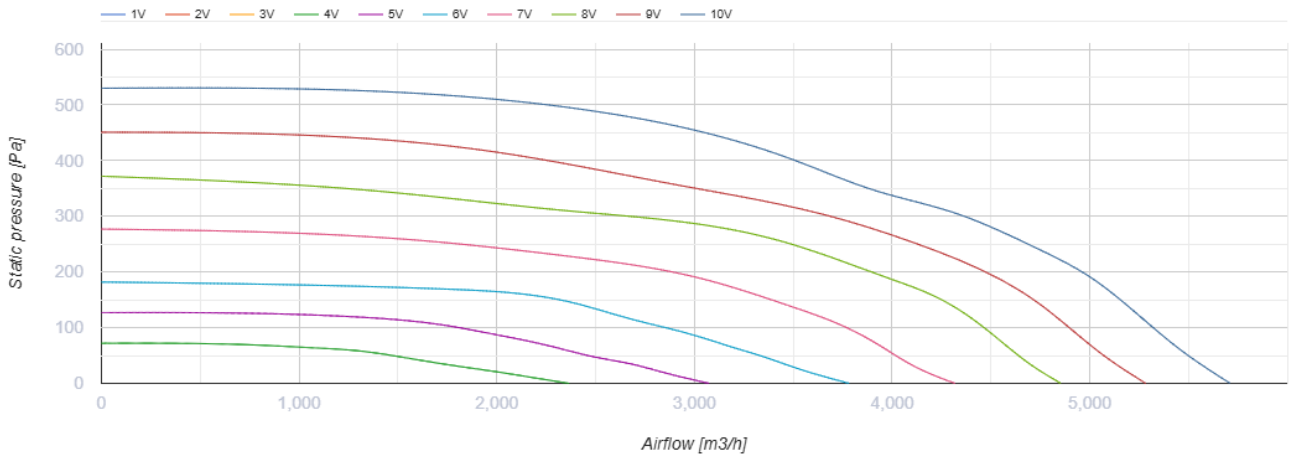
VKPI 700x400 M1 EC

Centrifugal inline fans with backward curved blades in sound-insulated casings with EC-motors



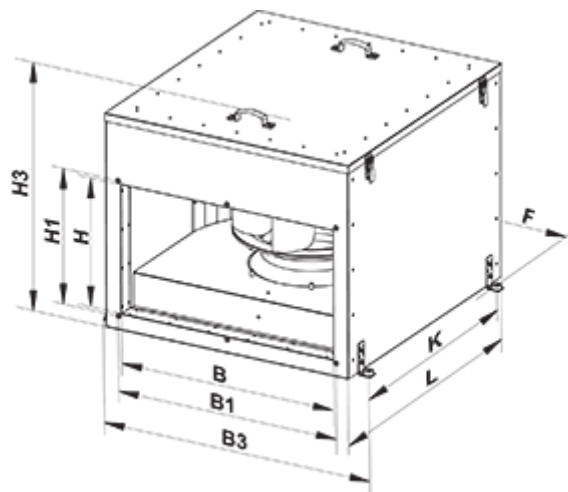
- Maximum airflow: 5710
- Sound pressure level LpA at 3 m: 37
- Sound insulation
- Motor type: EC
- Impeller type: Centrifugal backward curved blades
- Casing material: Galvanized steel
- Installation in any position

	Unit of measurement	VKPI 700x400 M1 EC
Connected air duct size	mm	700x400
Speed	-	1
Minimum supply voltage	V	230
Maximum supply voltage	V	230
Power supply frequency	Hz	50/60
Rated power	W	795
Unit current	A	3.48
Maximum airflow	m ³ /h	5710
Sound pressure level LpA at 3 m	dB(A)	37
Weight	kg	82.6
Transported air temperature (max)	°C	50
Transported air temperature (min)	°C	-25
Ingress protection rating	-	IPX4
Ingress protection rating of the drive	-	IP54



Dimensions

B	B1	B3	H	H1	H3	L	F	K
700	720	883	400	420	714	882	855	742



Ecodesign

Trademark	Vents
Model	VKPI 700x400 M1 EC
Type of drive installed	Integrated VSD
Type of heat recovery system	None
Nominal flow rate (m ³ /s)	0.662
Nominal external pressure (Pa)	145
Maximum external leakage rates (%)	2.7
Static efficiency (%)	57.5
Declared typology	NRVU UVU
Effective electric power input (kW)	0.194
Sound power level (dB(A))	57