

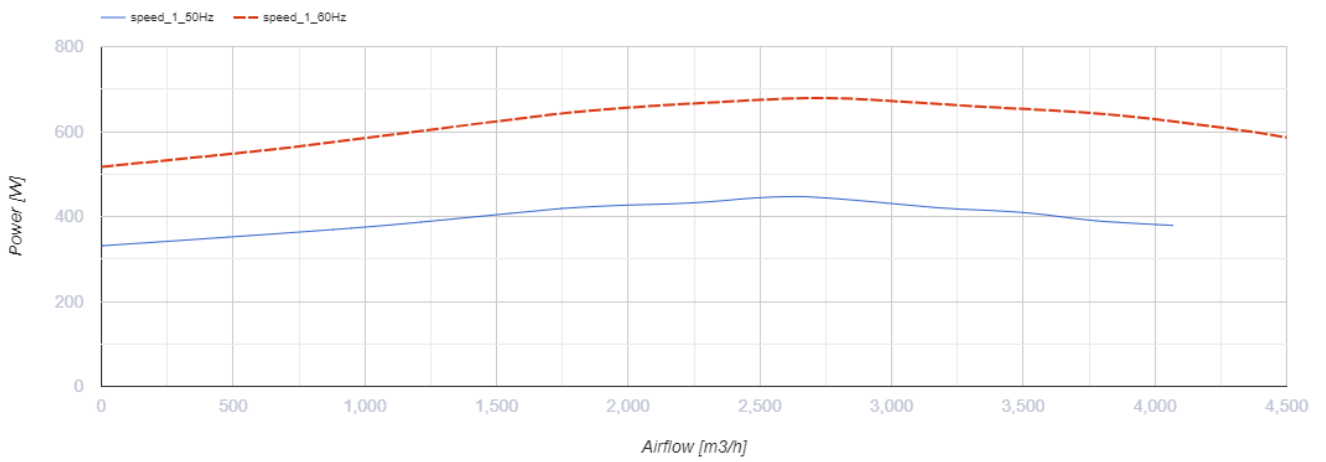
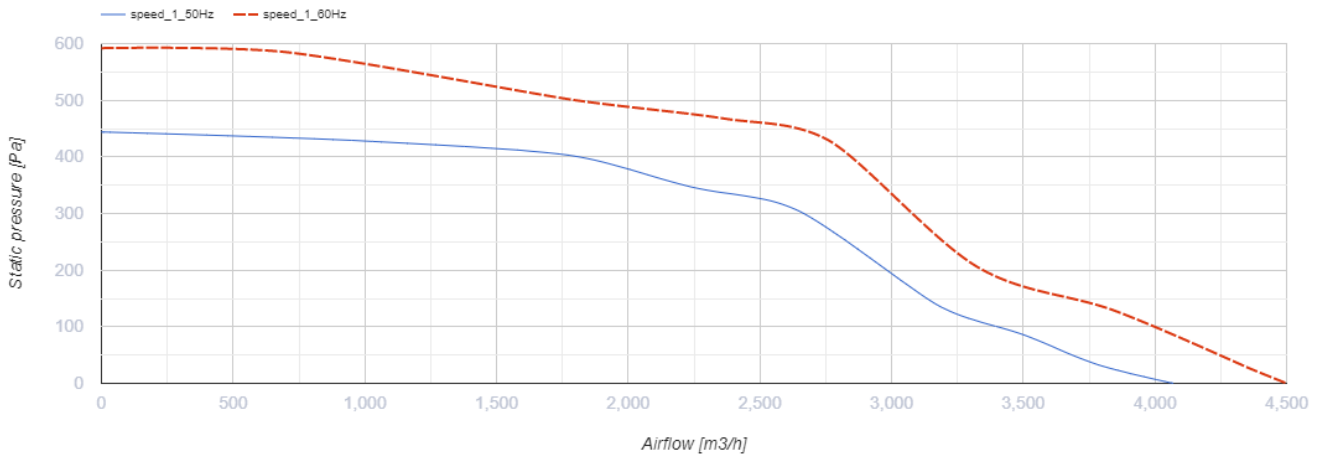
# VKPS 4E 600x350



Centrifugal fans for rectangular ducts

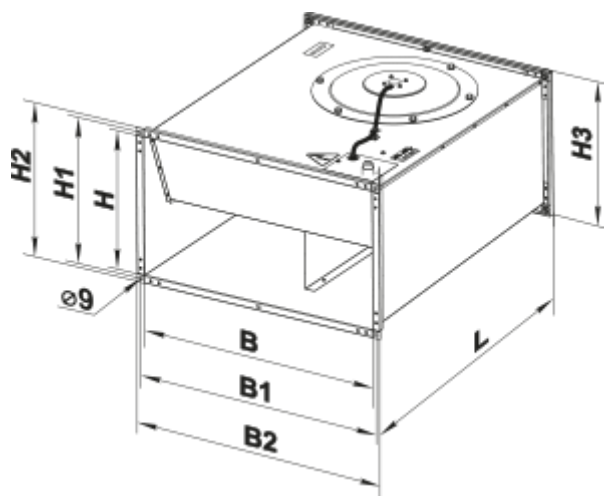
- Maximum airflow: 4070
- Sound pressure level LpA at 3 m: 54
- Motor type: AC
- Impeller type: Centrifugal backward curved blades
- Casing material: Galvanized steel
- Installation in any position

	Unit of measurement	VKPS 4E 600x350
Connected air duct size	mm	600x350
Minimum supply voltage	V	220
Maximum supply voltage	V	240
Power supply frequency	Hz	50/60
Rated power	W	447
Unit current	A	1.97
Maximum airflow	m <sup>3</sup> /h	4070
Sound pressure level LpA at 3 m	dB(A)	54
Weight	kg	30
Transported air temperature (max)	°C	60
Transported air temperature (min)	°C	-30
Ingress protection rating	-	IPX4
Ingress protection rating of the drive	-	IP44



## Dimensions

B	B1	B2	H	H1	H2	H3	L
600	620	640	350	370	390	390	652



## Ecodesign

Trademark	Vents
Model	VKPS 4E 600x350
Type of drive installed	External MSD or VSD
Type of heat recovery system	None
Nominal flow rate (m <sup>3</sup> /s)	0.622
Nominal external pressure (Pa)	347
Maximum external leakage rates (%)	2.7
Static efficiency (%)	51
Declared typology	NRVU UVU
Effective electric power input (kW)	0.432
Sound power level (dB(A))	78