

VKT 4E 250



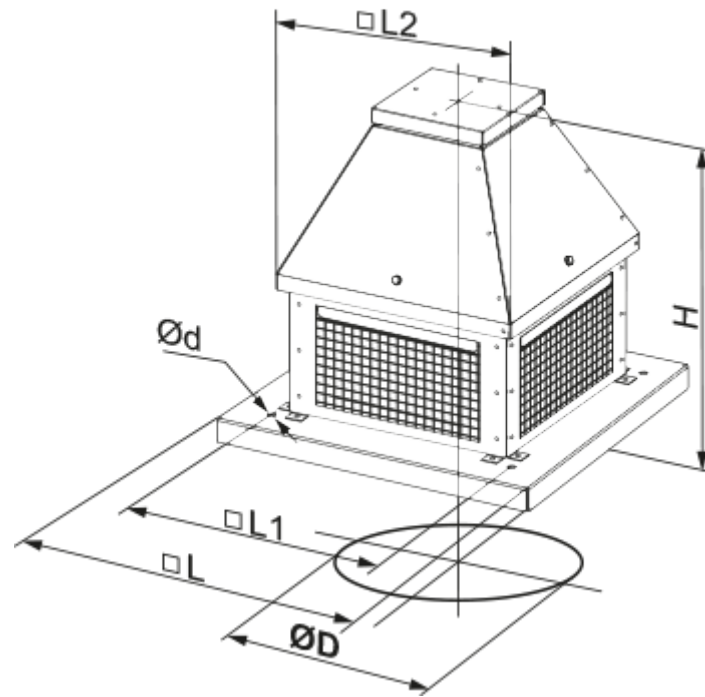
High-temperature centrifugal roof fans

- Maximum airflow: 1000
- Sound pressure level LpA at 3 m: 52
- Casing material: Galvanized steel

	Unit of measurement	VKT 4E 250
Phases	-	1
Minimum supply voltage	V	230
Maximum supply voltage	V	230
Power supply frequency	Hz	50
Rated power	W	96
Unit current	A	0.6
Maximum airflow	m ³ /h	1000
Sound pressure level LpA at 3 m	dB(A)	52
Weight	kg	14.6
Transported air temperature (max)	°C	200
Ingress protection rating	-	IP44





Dimensions

Ø D	Ø d	H	L	L1	L2
250	11	434	430	330	323



Accessories

Speed controllers

Name	Photo	Description
RS-1-300		Speed controller
RS-1-400		Speed controller
RSA5E-2-P		Speed control enables not only selecting the comfortable ventilation mode for the periodically visited premises but reducing the energy consumption for the ventilation
RSA5E-2-M		Speed controls enables not only selecting the comfortable ventilation mode for the periodically visited premises but reducing the energy consumption for the ventilation