

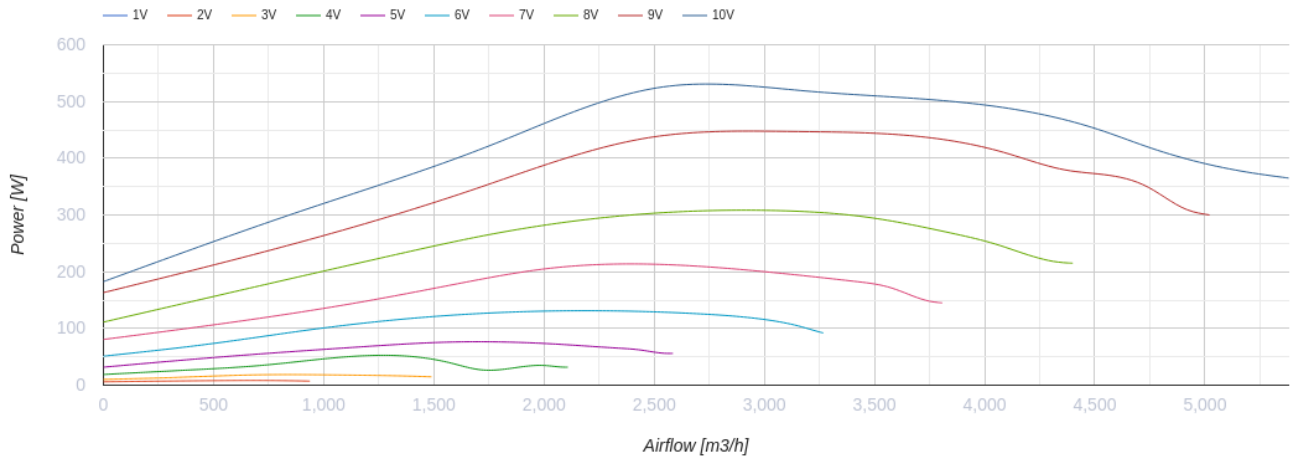
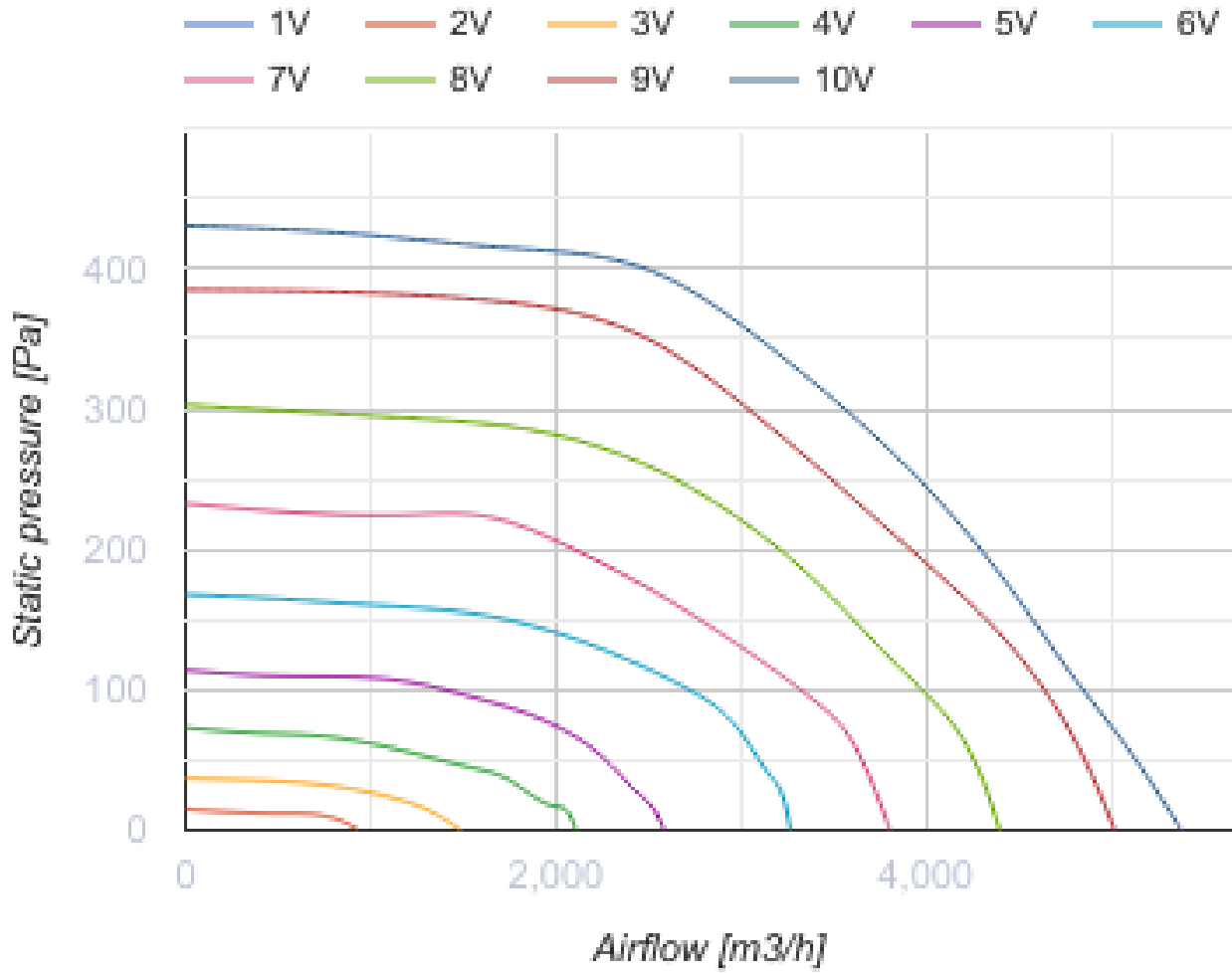
# VKV 400 EC



Roof exhaust centrifugal fans with vertical air exhaust

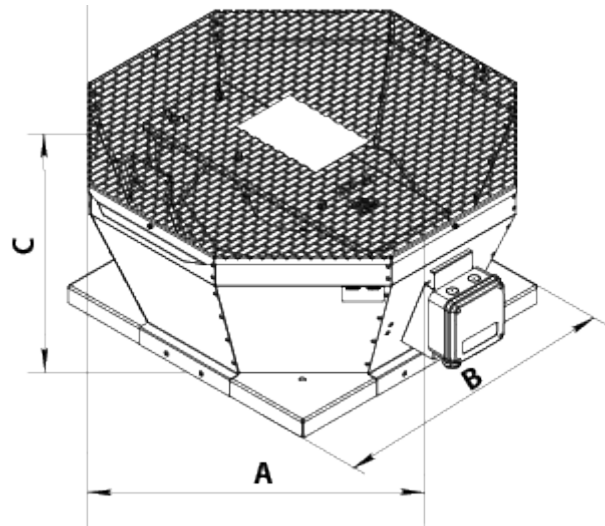
- Maximum airflow: 5380
- Sound pressure level LpA at 3 m: 58
- Motor type: EC
- Impeller type: Centrifugal backward curved blades
- Casing material: Coated steel

|  | Unit of measurement | VKV 400 EC |
|--|---------------------|------------|
| Speed                                  | -                   | 1          |
| Minimum supply voltage                 | V                   | 230        |
| Maximum supply voltage                 | V                   | 230        |
| Power supply frequency                 | Hz                  | 50/60      |
| Rated power                            | W                   | 526        |
| Unit current                           | A                   | 3.9        |
| Maximum airflow                        | m <sup>3</sup> /h   | 5380       |
| Sound pressure level LpA at 3 m        | dB(A)               | 58         |
| Weight                                 | kg                  | 27         |
| Transported air temperature (max)      | °C                  | 50         |
| Transported air temperature (min)      | °C                  | -25        |
| Ingress protection rating              | -                   | IPX4       |
| Ingress protection rating of the drive | -                   | IP54       |



## Dimensions

| A   | B   | C   |
|-----|-----|-----|
| 738 | 598 | 371 |



## Ecodesign

|                                       |                |
|---------------------------------------|----------------|
| Trademark                             | Vents          |
| Model                                 | VKV 400 EC     |
| Type of drive installed               | Integrated VSD |
| Type of heat recovery system          | None           |
| Nominal flow rate (m <sup>3</sup> /s) | 0.874          |
| Nominal external pressure (Pa)        | 420            |
| Maximum external leakage rates (%)    | 2.7            |
| Static efficiency (%)                 | 53.3           |
| Declared typology                     | NRVU UVU       |
| Sound power level (dB(A))             | 73             |
| Effective electric power input (kW)   | 0.77           |