

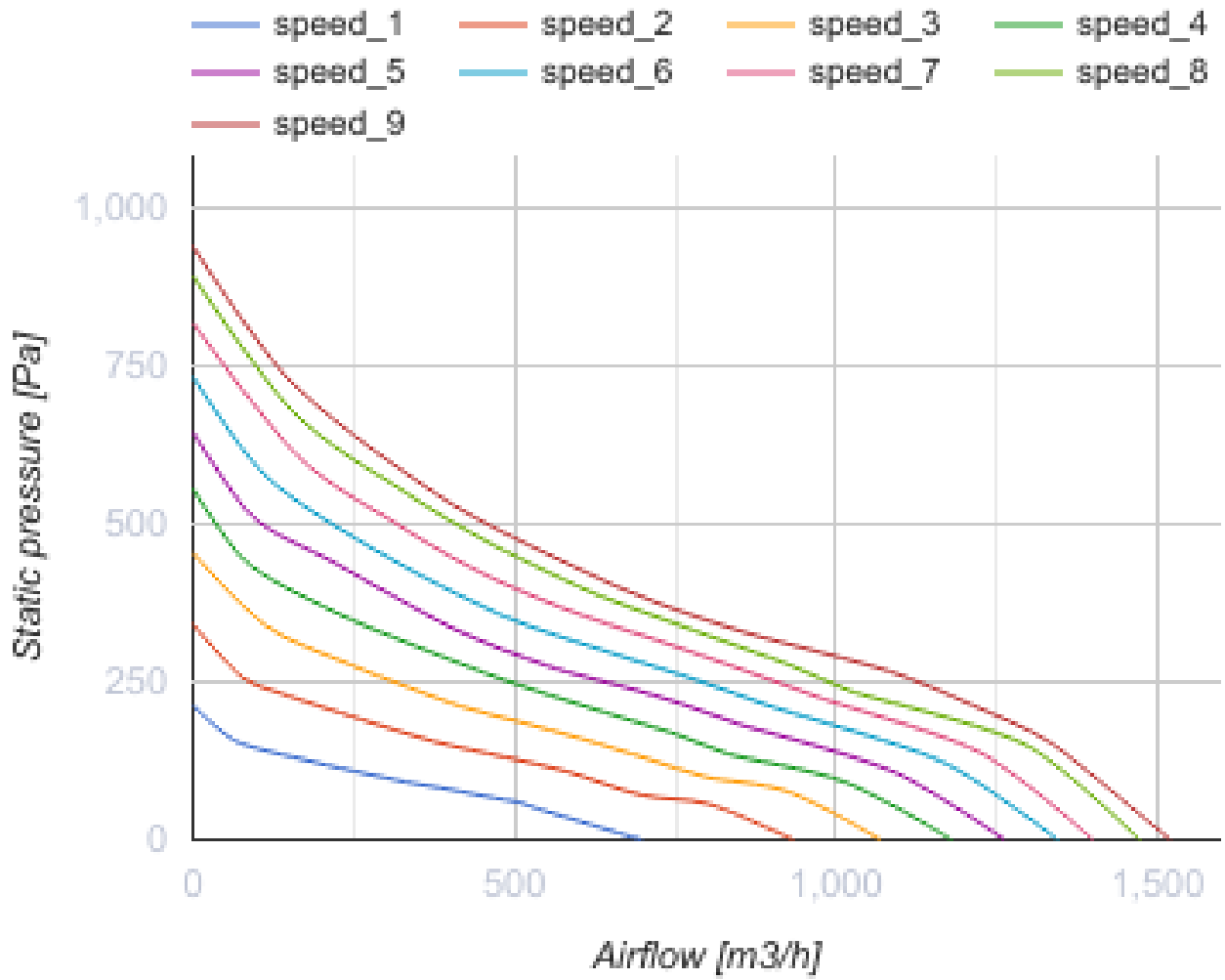
VKVz 250 EC

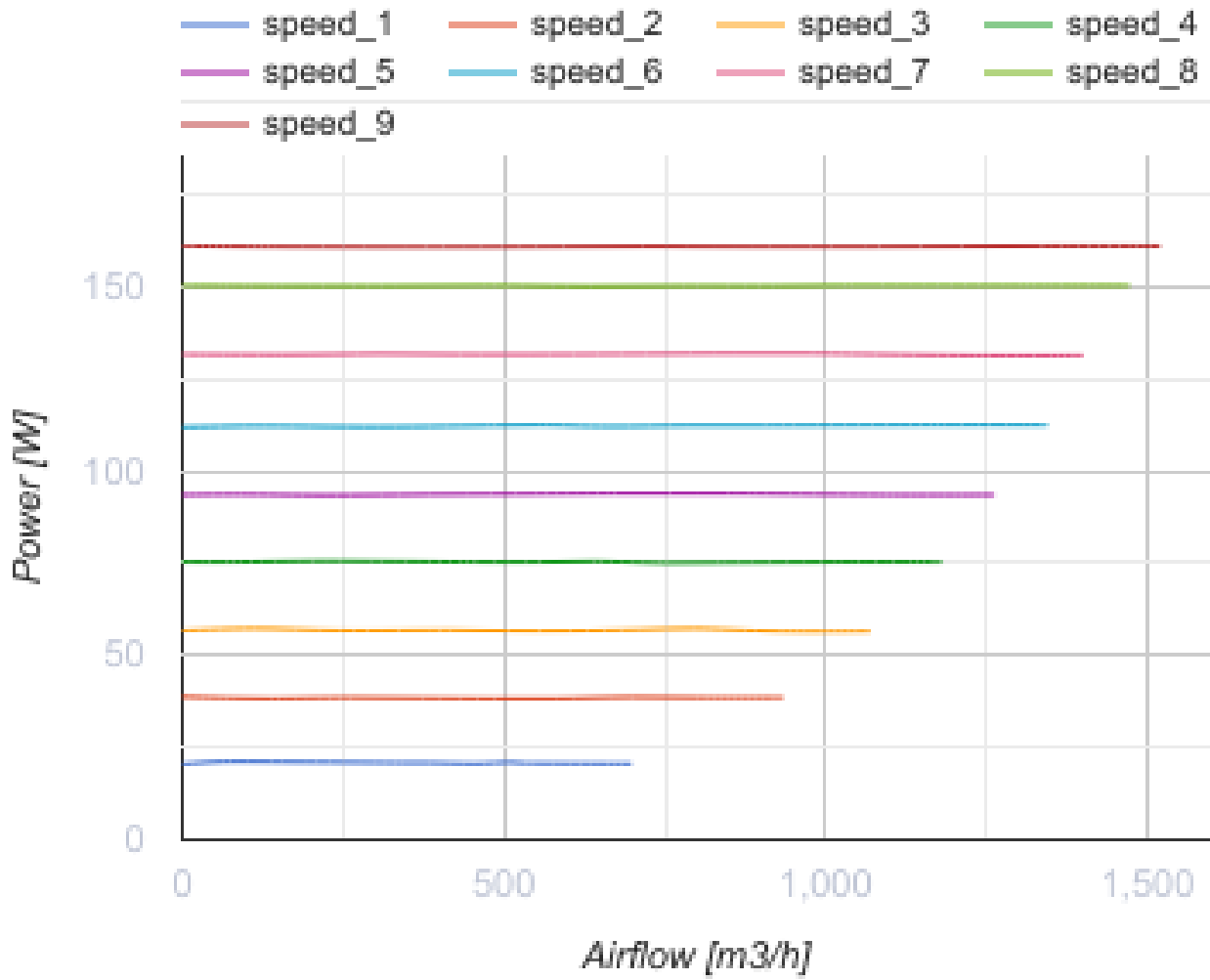


Roof centrifugal fans with vertical air discharge with EC-motors

- Maximum airflow: 1470
- Sound pressure level LpA at 3 m: 54
- Motor type: EC
- Impeller type: Centrifugal backward curved blades
- Casing material: Galvanized steel

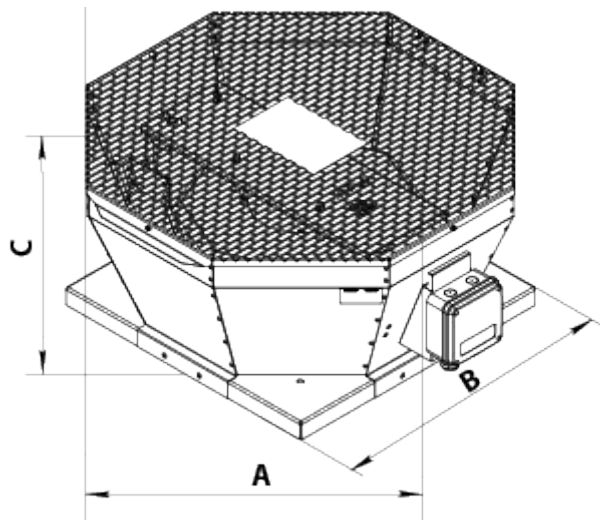
	Unit of measurement	VKVz 250 EC
Speed	-	1
Minimum supply voltage	V	230
Maximum supply voltage	V	230
Power supply frequency	Hz	50/60
Rated power	W	161
Unit current	A	1.29
Maximum airflow	m ³ /h	1470
Sound pressure level LpA at 3 m	dB(A)	54
Weight	kg	13
Transported air temperature (max)	°C	60
Transported air temperature (min)	°C	-25
Ingress protection rating	-	IPX4
Ingress protection rating of the drive	-	IP55





Dimensions

A	B	C
481	425	236



Ecodesign

Trademark	Vents
Model	VKVz 250 EC
Type of drive installed	Integrated VSD
Type of heat recovery system	None
Nominal flow rate (m ³ /s)	0.301
Nominal external pressure (Pa)	267
Maximum external leakage rates (%)	2.7
Static efficiency (%)	58.3
Declared typology	NRVU UVU
Effective electric power input (kW)	0.161
Sound power level (dB(A))	74