

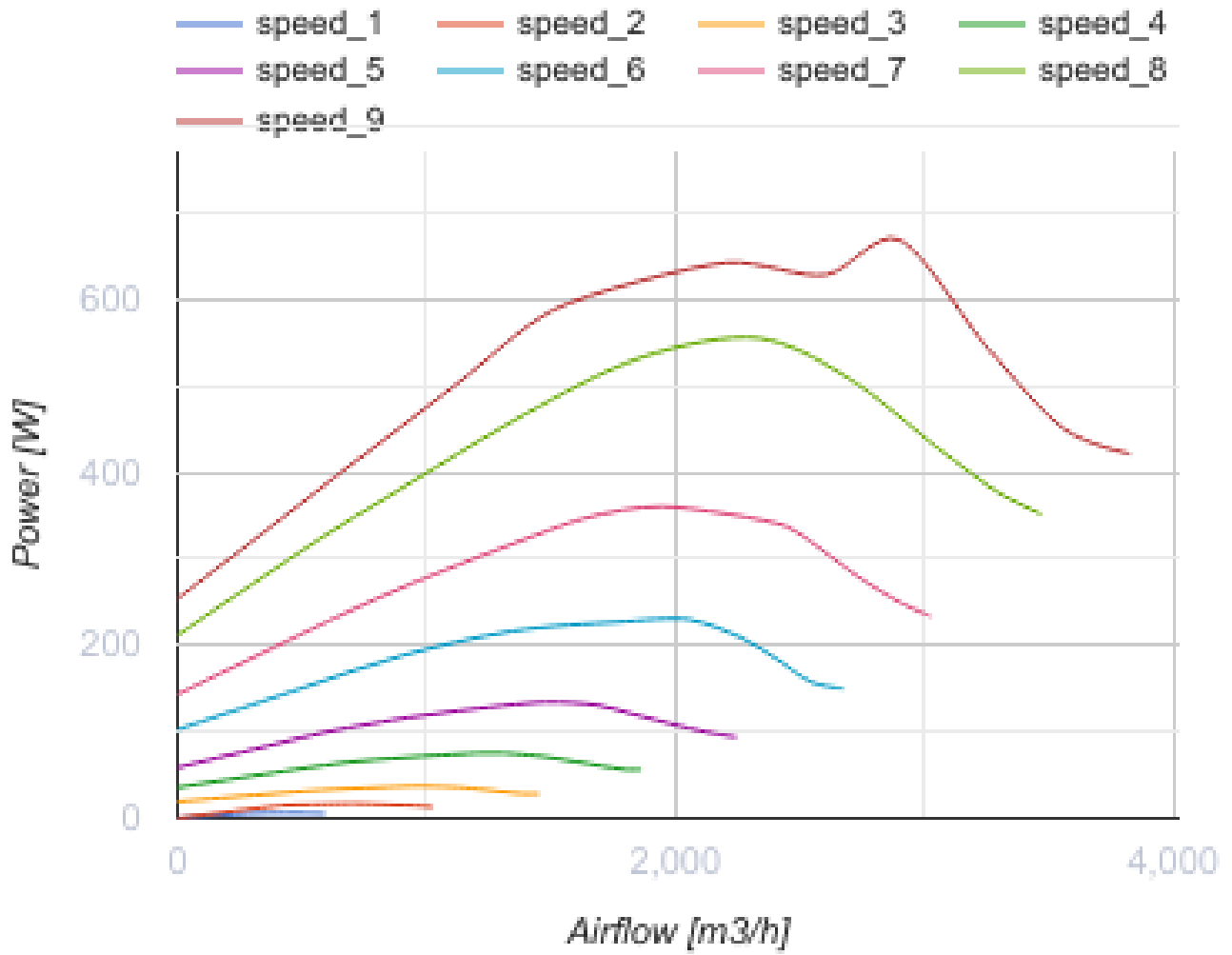
VKVz 355 EC



Roof exhaust centrifugal fans with vertical air exhaust

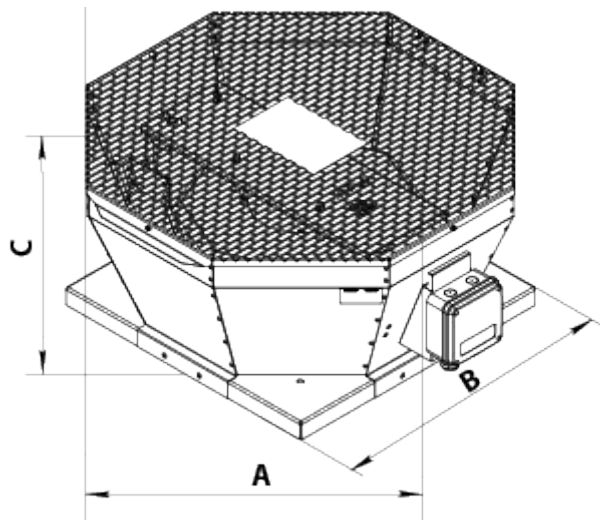
- Maximum airflow: 3830
- Sound pressure level LpA at 3 m: 51
- Motor type: EC
- Impeller type: Centrifugal backward curved blades
- Casing material: Galvanized steel

	Unit of measurement	VKVz 355 EC
Speed	-	1
Minimum supply voltage	V	230
Maximum supply voltage	V	230
Power supply frequency	Hz	50/60
Rated power	W	669
Unit current	A	4.95
Maximum airflow	m ³ /h	3830
Sound pressure level LpA at 3 m	dB(A)	51
Weight	kg	27
Transported air temperature (max)	°C	50
Transported air temperature (min)	°C	-25
Ingress protection rating	-	IPX4
Ingress protection rating of the drive	-	IP54



Dimensions

A	B	C
738	598	326



Ecodesign

Trademark	Vents
Model	VKVz 355 EC
Type of drive installed	Integrated VSD
Type of heat recovery system	None
Nominal flow rate (m ³ /s)	0.613
Nominal external pressure (Pa)	518
Maximum external leakage rates (%)	2.7
Static efficiency (%)	55.6
Declared typology	NRVU UVU
Effective electric power input (kW)	0.642
Sound power level (dB(A))	71