

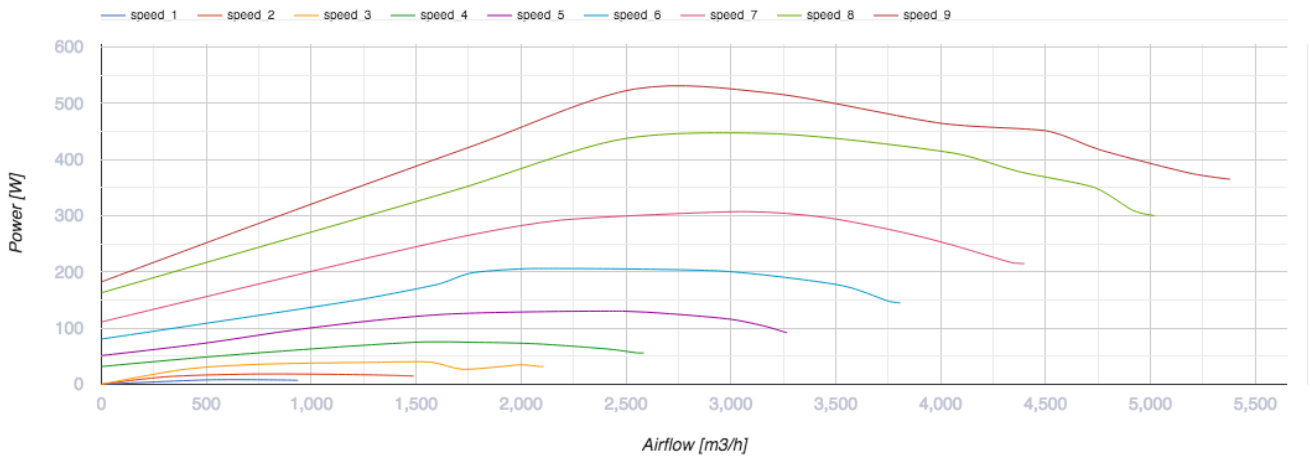
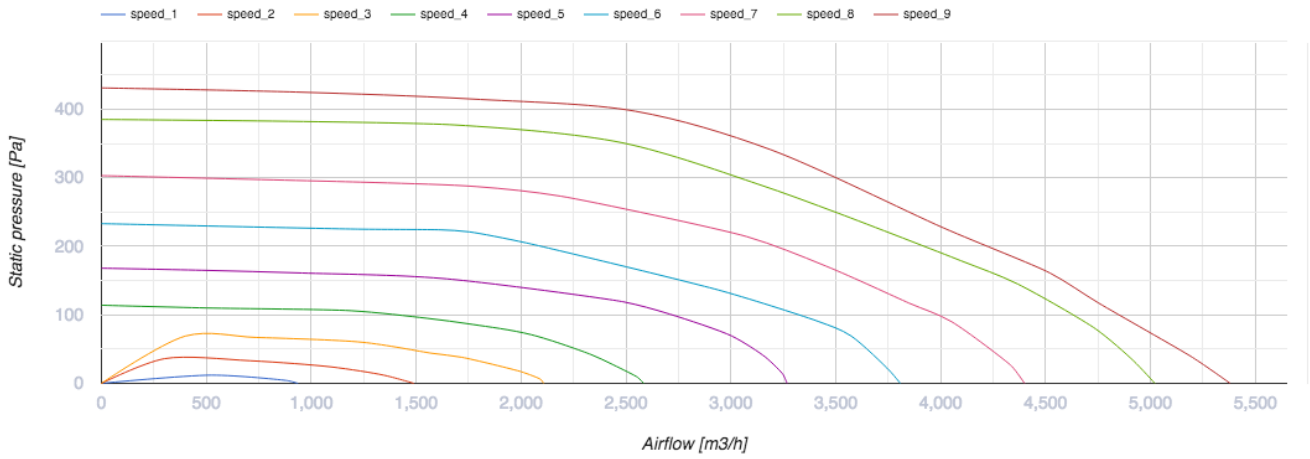
VKVz 400 EC



Roof exhaust centrifugal fans with vertical air exhaust

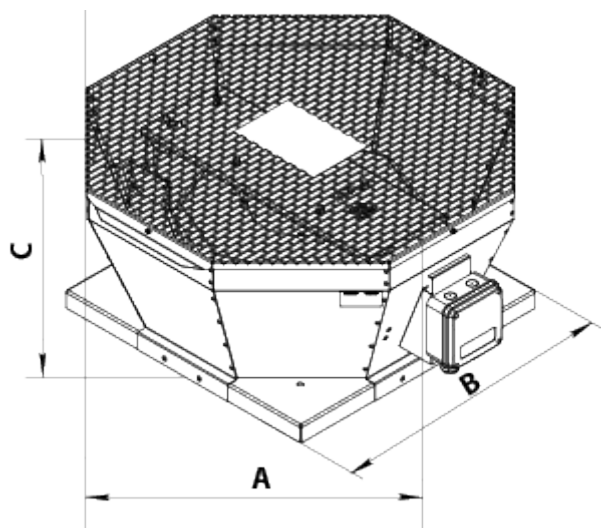
- Maximum airflow: 5380
- Sound pressure level LpA at 3 m: 58
- Motor type: EC
- Impeller type: Centrifugal backward curved blades
- Casing material: Galvanized steel

| | Unit of measurement | VKVz 400 EC |
|----------------------------------------|---------------------|-------------|
| Speed | - | 1 |
| Minimum supply voltage | V | 230 |
| Maximum supply voltage | V | 230 |
| Power supply frequency | Hz | 50/60 |
| Rated power | W | 526 |
| Unit current | A | 3.9 |
| Maximum airflow | m ³ /h | 5380 |
| Sound pressure level LpA at 3 m | dB(A) | 58 |
| Weight | kg | 27 |
| Transported air temperature (max) | °C | 50 |
| Transported air temperature (min) | °C | -25 |
| Ingress protection rating | - | IPX4 |
| Ingress protection rating of the drive | - | IP54 |



Dimensions

| A | B | C |
|-----|-----|-----|
| 738 | 598 | 371 |



Ecodesign

| Trademark | Vents |
|---------------------------------------|----------------|
| Model | VKVz 400 EC |
| Type of drive installed | Integrated VSD |
| Type of heat recovery system | None |
| Nominal flow rate (m ³ /s) | 0.886 |
| Nominal external pressure (Pa) | 341 |
| Maximum external leakage rates (%) | 2.7 |
| Static efficiency (%) | 65.8 |
| Declared typology | NRVU UVU |
| Effective electric power input (kW) | 0.519 |
| Sound power level (dB(A)) | 78 |