

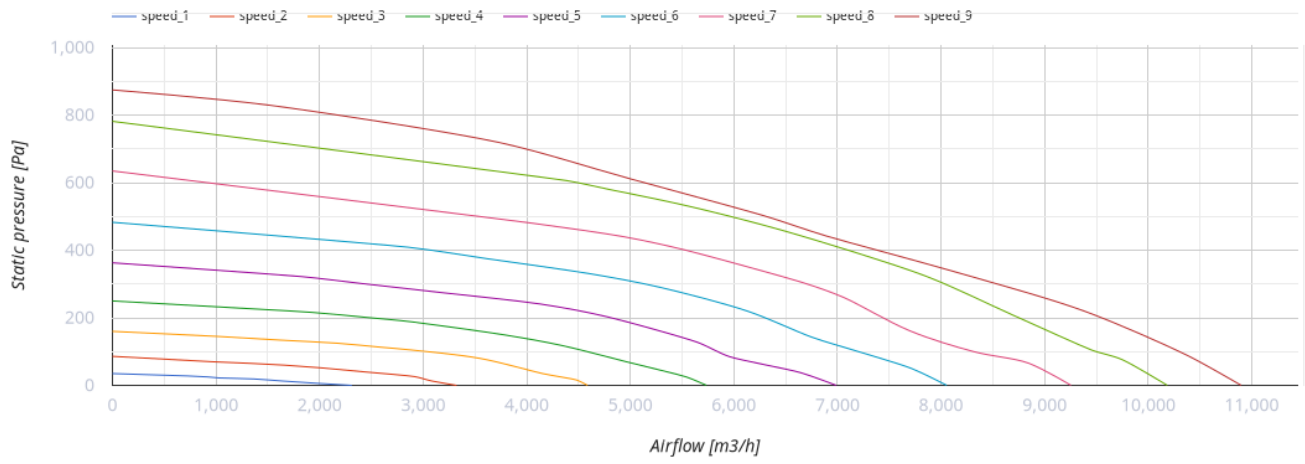
VKVz 500 EC



Roof centrifugal fans with vertical air discharge with EC-motors

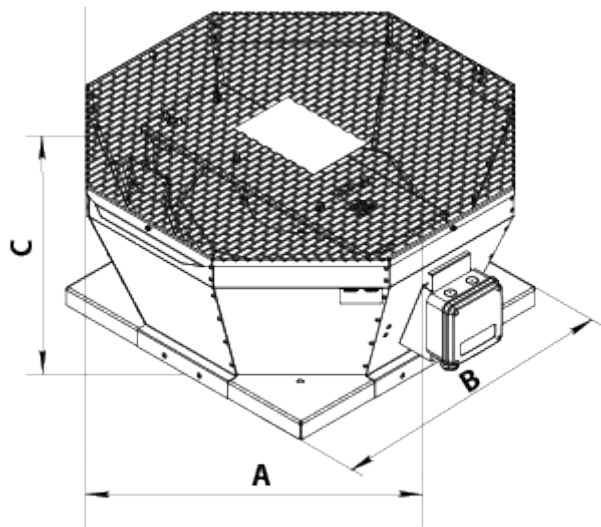
- Maximum airflow: 10900
- Sound pressure level LpA at 3 m: 67
- Motor type: EC
- Impeller type: Centrifugal backward curved blades
- Casing material: Galvanized steel

	Unit of measurement	VKVz 500 EC
Speed	-	1
Minimum supply voltage	V	400
Maximum supply voltage	V	400
Power supply frequency	Hz	50/60
Rated power	W	1350
Unit current	A	2.08
Maximum airflow	m ³ /h	10900
Sound pressure level LpA at 3 m	dB(A)	67
Weight	kg	51
Transported air temperature (max)	°C	50
Transported air temperature (min)	°C	-25
Ingress protection rating	-	IPX4
Ingress protection rating of the drive	-	IP54



Dimensions

A	B	C
859	668	455



Ecodesign

Trademark	Vents
Model	VKVz 500 EC
Type of drive installed	Integrated VSD
Type of heat recovery system	None
Nominal flow rate (m ³ /s)	1.745
Nominal external pressure (Pa)	503
Maximum external leakage rates (%)	2.7
Static efficiency (%)	71.9
Declared typology	NRVU UVU
Sound power level (dB(A))	87
Effective electric power input (kW)	1.344