

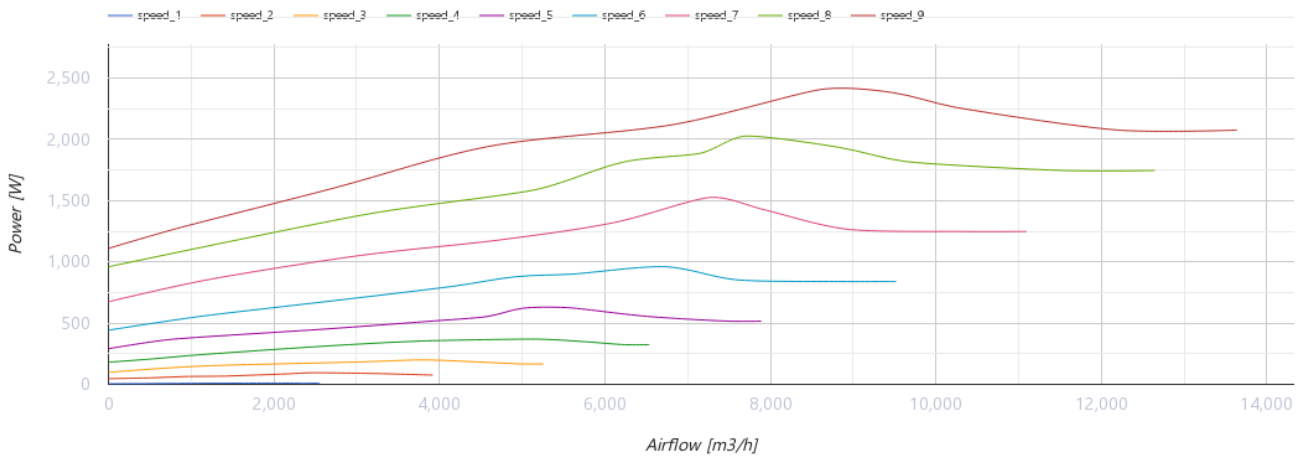
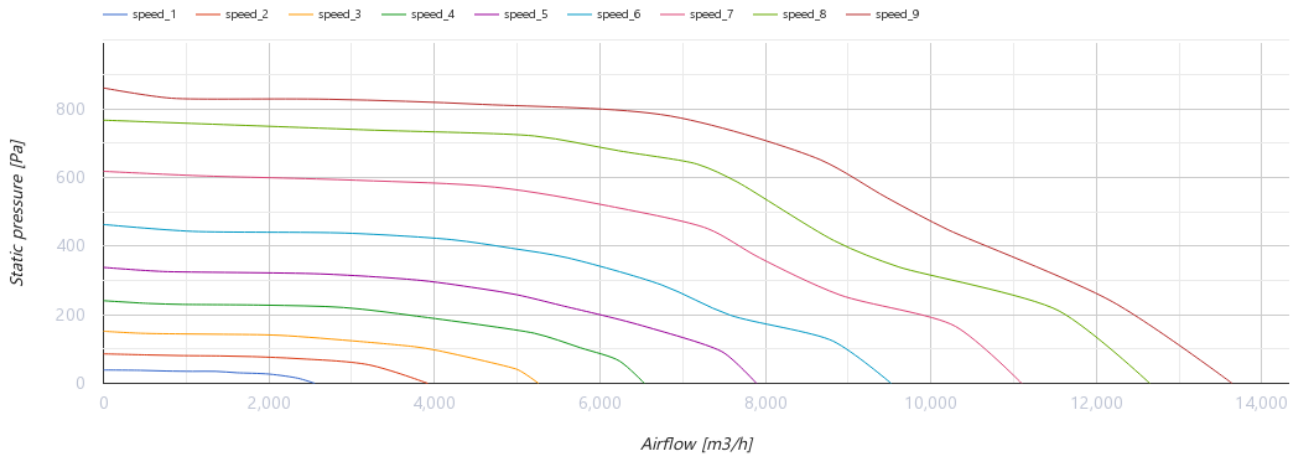
VKVz 560 EC



Roof exhaust centrifugal fans with vertical air exhaust

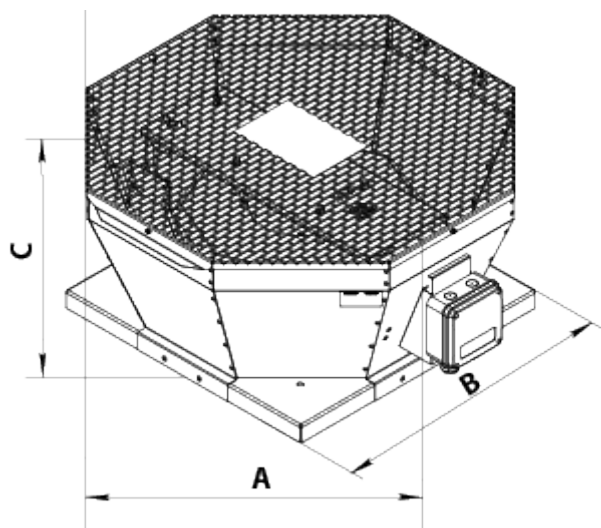
- Maximum airflow: 13640
- Sound pressure level LpA at 3 m: 69
- Motor type: EC
- Impeller type: Centrifugal backward curved blades
- Casing material: Galvanized steel

| | Unit of measurement | VKVz 560 EC |
|--|---------------------|-------------|
| Speed | - | 1 |
| Minimum supply voltage | V | 400 |
| Maximum supply voltage | V | 400 |
| Power supply frequency | Hz | 50/60 |
| Rated power | W | 2412 |
| Unit current | A | 3.83 |
| Maximum airflow | m ³ /h | 13640 |
| Sound pressure level LpA at 3 m | dB(A) | 69 |
| Weight | kg | 71 |
| Transported air temperature (max) | °C | 60 |
| Transported air temperature (min) | °C | -25 |
| Ingress protection rating | - | IPX4 |
| Ingress protection rating of the drive | - | IP54 |



Dimensions

| A | B | C |
|-----|-----|-----|
| 859 | 833 | 478 |



Ecodesign

| | |
|---------------------------------------|----------------|
| Trademark | Vents |
| Model | VKVz 560 EC |
| Type of drive installed | Integrated VSD |
| Type of heat recovery system | None |
| Nominal flow rate (m ³ /s) | 1.904 |
| Nominal external pressure (Pa) | 779 |
| Maximum external leakage rates (%) | 2.7 |
| Static efficiency (%) | 75.9 |
| Declared typology | NRVU UVU |
| Sound power level (dB(A)) | 89 |
| Effective electric power input (kW) | 2.124 |