

VN-1A 80 K T



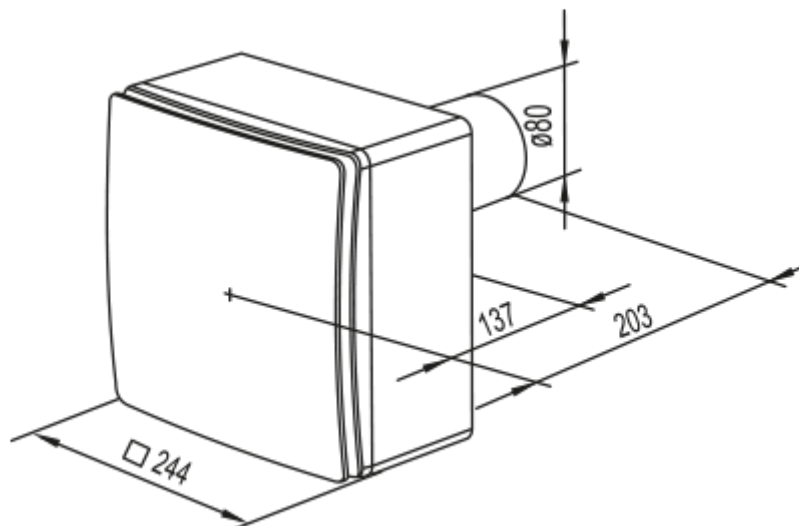
Centrifugal fans in plastic casing

- Maximum airflow: 63
- Sound pressure level LpA at 3 m: 36
- Control: Wired control panel
- Casing material: Plastic
- Backdraft protection: Backdraft damper
- Timer: Built-in

	Unit of measurement	VN-1A 80 K T	
Connected air duct size	mm	80	
Speed	-	2	
Minimum supply voltage	V	220	
Maximum supply voltage	V	240	
Power supply frequency	Hz	50	
Rated power	W	15	25
Unit current	A	0.12	0.14
Maximum airflow	m ³ /h	35	63
Sound pressure level LpA at 3 m	dB(A)	27	36
Weight	kg	2.7	
Ambient air temperature min	°C	1	
Ambient air temperature max	°C	40	
Ingress protection rating	-	IP55	
ErP compliance	-	2016	
Cold - Specific energy consumption (SEC)	kWh/(m ² /a)	28.5	
SEC Class Cold	-	B	
Average - Specific energy consumption (SEC)	kWh/(m ² /a)	10.6	
SEC Class Average	-	E	
Warm - Specific energy consumption (SEC)	kWh/(m ² /a)	0.3	
SEC Class Warm	-	F	
Unit category	-	RVU	

Type of ventilation unit	-	Unidirectional
Type of drive installed	-	Multi-speed
Type of heat recovery system	-	None
Maximum flow rate	m ³ /h	61
Electric power input	W	17
Reference flow rate	m ³ /s	0.012
Reference pressure difference	Pa	50
Specific power input (SPI)	W/(m ³ /h)	0.281
Control typology	-	Clock control
Maximum external leakage rates	%	2.7
Cold - The annual electricity consumption (AEC)	kWh/a	326
Average - The annual electricity consumption (AEC)	kWh/a	326
Warm - Jährlicher Stromverbrauch (JSV)	kWh/a	326
Cold - The annual heating saved (AHS)	kWh/a	3667
The annual heating saved (AHS) Average	kWh/a	1874
The annual heating saved (AHS) Warm	kWh/a	848
Declared typology	-	RVU UVU
Sound power level	dB(A)	46

Dimensions



Accessories

Speed control switches

Name	Photo	Description
------	-------	-------------

[P2-1-300](#)



Switch