

VN-1E 80



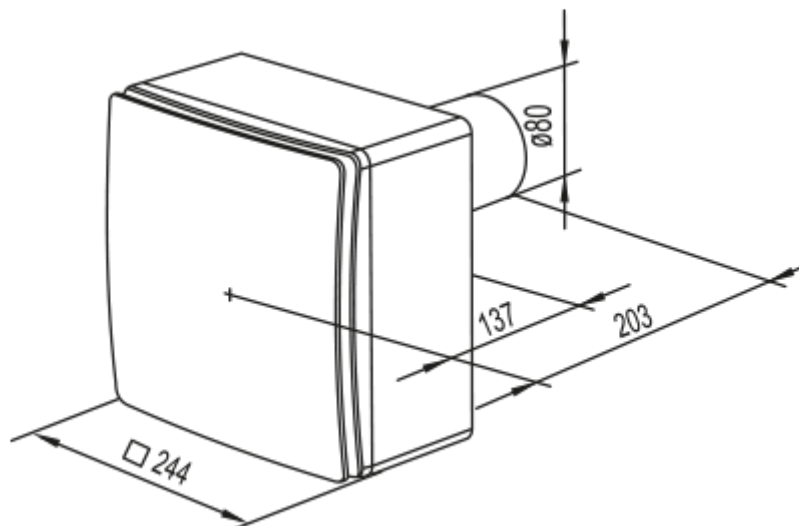
Centrifugal fans in plastic casing

- Maximum airflow: 100
- Sound pressure level LpA at 3 m: 38
- Control: Wired control panel
- Casing material: Plastic
- Backdraft protection: Backdraft damper

	Unit of measurement	VN-1E 80	
Connected air duct size	mm	80	
Speed	-	2	
Minimum supply voltage	V	220	
Maximum supply voltage	V	240	
Power supply frequency	Hz	50	
Rated power	W	24	29
Unit current	A	0.11	0.13
Maximum airflow	m ³ /h	75	100
Sound pressure level LpA at 3 m	dB(A)	29	38
Weight	kg	2.7	
Ambient air temperature min	°C	1	
Ambient air temperature max	°C	40	
Ingress protection rating	-	IP55	
ErP compliance	-	2016	
Cold - Specific energy consumption (SEC)	kWh/(m ² /a)	23	
SEC Class Cold	-	D	
Average - Specific energy consumption (SEC)	kWh/(m ² /a)	6.6	
SEC Class Average	-	F	
Warm - Specific energy consumption (SEC)	kWh/(m ² /a)	2.8	
SEC Class Warm	-	G	
Unit category	-	RVU	

Type of ventilation unit	-	Unidirectional
Type of drive installed	-	2-speed
Type of heat recovery system	-	None
Maximum flow rate	m ³ /h	87
Electric power input	W	26
Reference flow rate	m ³ /s	0.019
Reference pressure difference	Pa	50
Specific power input (SPI)	W/(m ³ /h)	0.338
Control typology	-	Manual control
Maximum external leakage rates	%	2.7
Cold - The annual electricity consumption (AEC)	kWh/a	424
Average - The annual electricity consumption (AEC)	kWh/a	424
Warm - Jährlicher Stromverbrauch (JSV)	kWh/a	424
Cold - The annual heating saved (AHS)	kWh/a	3355
The annual heating saved (AHS) Average	kWh/a	1715
The annual heating saved (AHS) Warm	kWh/a	776
Declared typology	-	RVU UVU
Sound power level	dB(A)	49

Dimensions



Accessories

Speed control switches

Name	Photo	Description
P2-1-300		Switch

[P2-1-300](#)



Switch