

VNV-1A 80 KVK-L TR

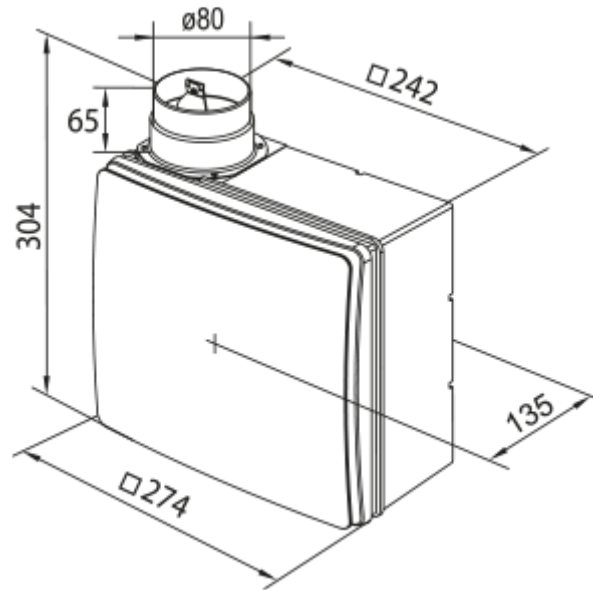


Centrifugal fan in plastic casing with air capacity

- Maximum airflow: 63
- Sound pressure level LpA at 3 m: 36
- Control: Wired control panel
- Casing material: Plastic
- Backdraft protection: Backdraft damper
- Motion sensor
- Humidity sensor: Built-in
- Light sensor: Built-in
- Timer: Built-in


	Unit of measurement	VNV-1A 80 KVK-L TR	
Connected air duct size	mm	80	
Speed	-	2	
Minimum supply voltage	V	220	
Maximum supply voltage	V	240	
Power supply frequency	Hz	50	
Rated power	W	15	25
Unit current	A	0.12	0.14
Maximum airflow	m ³ /h	35	63
Sound pressure level LpA at 3 m	dB(A)	27	36
Weight	kg	2.7	
Ambient air temperature min	°C	1	
Ambient air temperature max	°C	40	
Ingress protection rating	-	IP55	

Dimensions




Accessories

Speed control switches

Name	Photo	Description
P2-1-300		Switch

Other accessories

Name	Photo	Description
KVK-L 80		Plastic casing with fire-retarding damper for ventilation unit VNV-1 80