

VNV-1E 80 KP-D

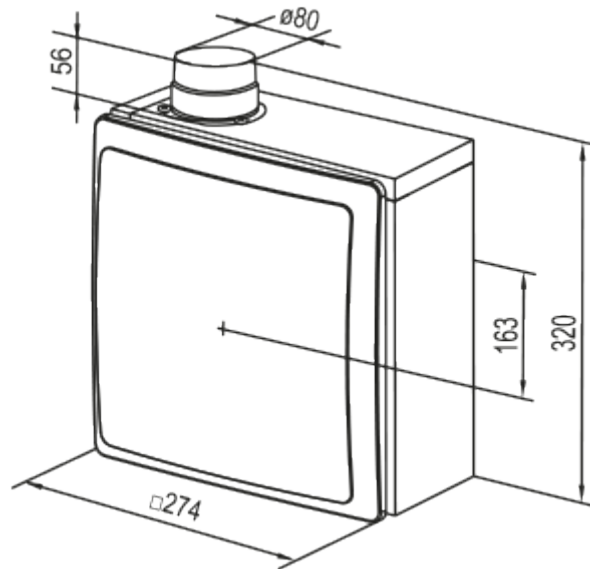


Centrifugal fan in fireproof casing

- Maximum airflow: 100
- Sound pressure level LpA at 3 m: 38
- Control: Wired control panel
- Casing material: Plastic
- Backdraft protection: Backdraft damper
- Motion sensor
- Humidity sensor: Built-in
- Timer: Built-in

| | Unit of measurement | VNV-1E 80 KP-D | |
|---------------------------------|---------------------|----------------|------|
| Connected air duct size | mm | 80 | |
| Speed | - | 2 | |
| Minimum supply voltage | V | 220 | |
| Maximum supply voltage | V | 240 | |
| Power supply frequency | Hz | 50 | |
| Rated power | W | 24 | 29 |
| Unit current | A | 0.11 | 0.13 |
| Maximum airflow | m ³ /h | 75 | 100 |
| Sound pressure level LpA at 3 m | dB(A) | 29 | 38 |
| Weight | kg | 2.7 | |
| Ambient air temperature min | °C | 1 | |
| Ambient air temperature max | °C | 40 | |
| Ingress protection rating | - | IP55 | |

Dimensions




Accessories

Speed control switches

| Name | Photo | Description |
|--------------------------|--|-------------|
| P2-1-300 |  | Switch |

Other accessories

| Name | Photo | Description |
|-------------------------|---|--|
| KP-D 80 |  | Fireproof casing for ventilation unit VNV-1 80 |