

VNV-1E 80 T

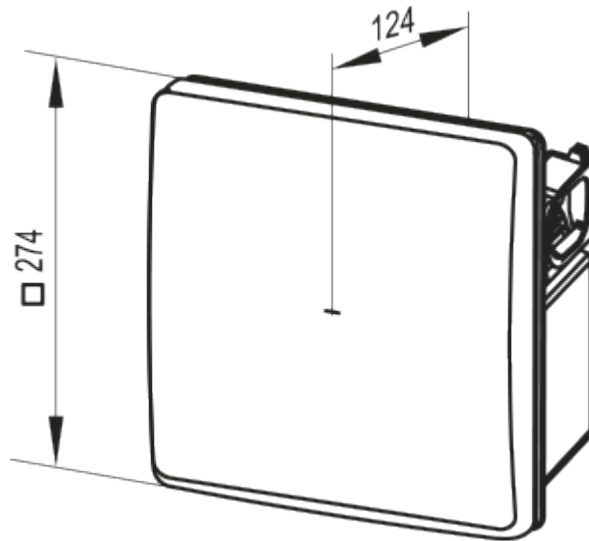


Ventilation unit for exhaust ventilation

- Maximum airflow: 100
- Sound pressure level LpA at 3 m: 38
- Control: Wired control panel
- Casing material: Plastic
- Backdraft protection: Backdraft damper



| | Unit of measurement | VNV-1E 80 T | |
|---------------------------------|---------------------|-------------|------|
| Connected air duct size | mm | 80 | |
| Speed | - | 2 | |
| Minimum supply voltage | V | 220 | |
| Maximum supply voltage | V | 240 | |
| Power supply frequency | Hz | 50 | |
| Rated power | W | 24 | 29 |
| Unit current | A | 0.11 | 0.13 |
| Maximum airflow | m ³ /h | 75 | 100 |
| Sound pressure level LpA at 3 m | dB(A) | 29 | 38 |
| Weight | kg | 2.7 | |
| Ambient air temperature min | °C | 1 | |
| Ambient air temperature max | °C | 40 | |
| Ingress protection rating | - | IP55 | |

Dimensions



Accessories

Speed control switches

| Name | Photo | Description |
|--------------------------|---|-------------|
| P2-1-300 |  | Switch |
| P2-1-300 |  | Switch |

Ecodesign



| | | | | | | |
|---|----------------|---|---------|---|------|---|
| Trademark | Vents | | | | | |
| Model | VNV-1E 80 T | | | | | |
| Specific energy consumption (SEC) (kWh/(m ² /a)) | Cold | | Average | | Warm | |
| | -26.7 | B | -8.8 | F | 1.5 | G |
| Type of ventilation unit | Unidirectional | | | | | |
| Type of drive installed | 2-speed | | | | | |
| Type of heat recovery system | None | | | | | |
| Maximum flow rate (m ³ /h) | 87 | | | | | |
| Electric power input (W) | 26 | | | | | |
| Reference flow rate (m ³ /s) | 0.019 | | | | | |
| Reference pressure difference (Pa) | 50 | | | | | |
| Specific power input (SPI) (W/(m ³ /h)) | 0.338 | | | | | |
| Control typology | Clock control | | | | | |
| Maximum external leakage rates (%) | 2.7 | | | | | |
| Declared typology | RVU UVU | | | | | |
| Sound power level (dB(A)) | 49 | | | | | |
| The annual electricity consumption (AEC) (kWh/a) | Cold | | Average | | Warm | |
| | 398 | | 398 | | 398 | |
| The annual heating saved (AHS) (kWh/a) | Cold | | Average | | Warm | |
| | 3667 | | 1874 | | 848 | |