

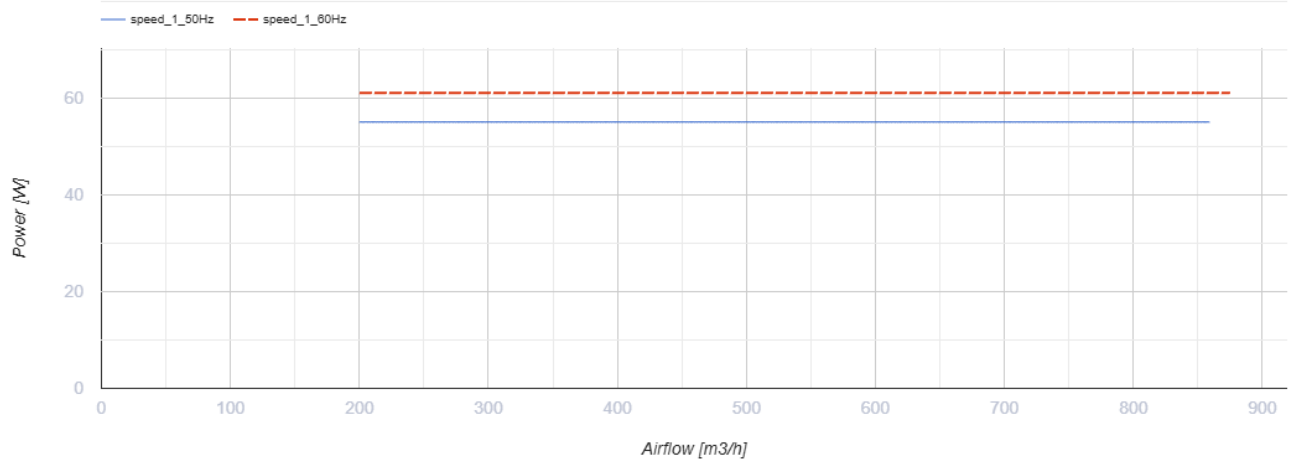
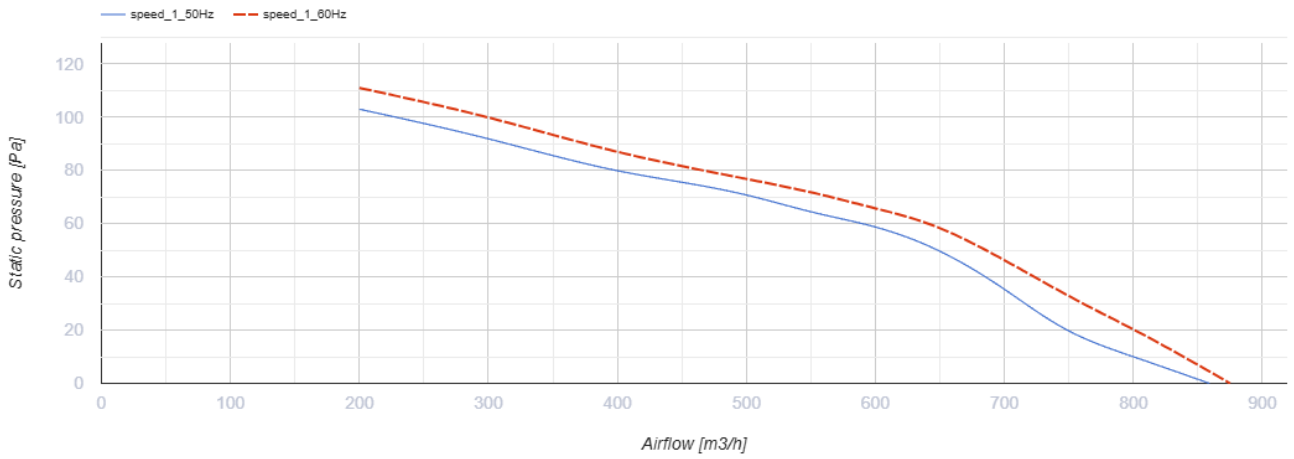
# VOK 2E 200



## Roof axial fans

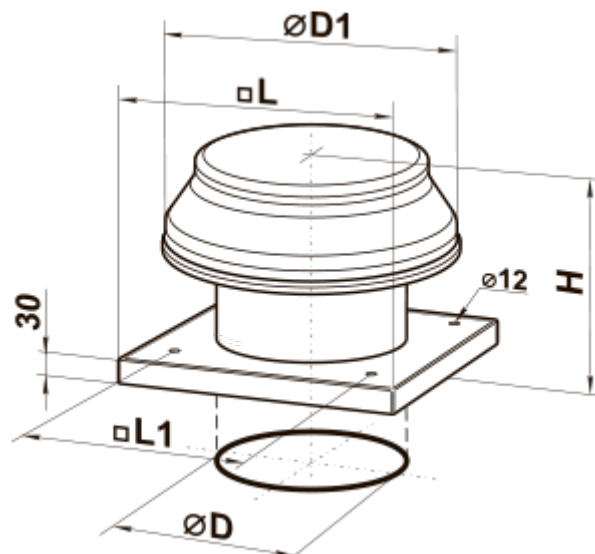
- Maximum airflow: 860
- Sound pressure level LpA at 3 m: 50
- Motor type: AC
- Impeller type: Axial
- Casing material: Polypropylene/Thermoplastic elastomer

	Unit of measurement	VOK 2E 200
Connected air duct size	mm	200
Speed	-	1
Minimum supply voltage	V	220
Maximum supply voltage	V	240
Power supply frequency	Hz	50/60
Rated power	W	55
Unit current	A	0.26
Maximum airflow	m <sup>3</sup> /h	860
Sound pressure level LpA at 3 m	dB(A)	50
Weight	kg	5
Transported air temperature (max)	°C	60
Transported air temperature (min)	°C	-30
Ingress protection rating	-	IP24
Ingress protection rating of the drive	-	IP44



## Dimensions

ØD	ØD1	H	L	L1
208	345	280	425	330



## Ecodesign

Trademark	Vents
Model	VOK 2E 200
Type of drive installed	External MSD or VSD
Type of heat recovery system	None
Nominal flow rate (m <sup>3</sup> /s)	0.105
Nominal external pressure (Pa)	83
Maximum external leakage rates (%)	2.7
Static efficiency (%)	13.6
Declared typology	NRVU UVU
Effective electric power input (kW)	0.065
Sound power level (dB(A))	70