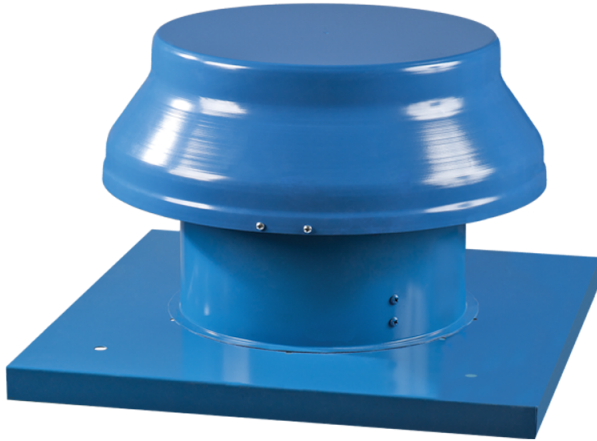


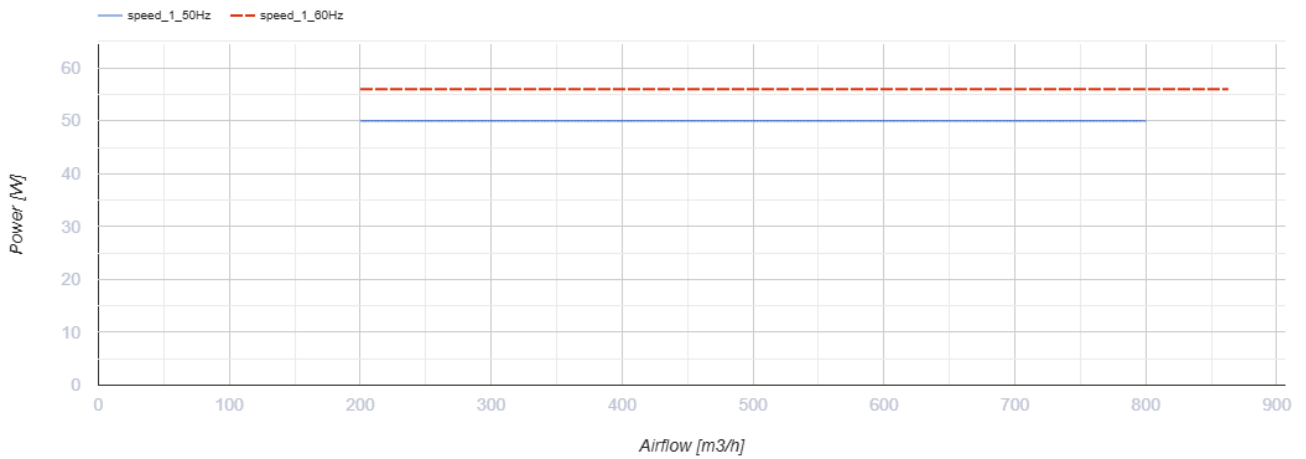
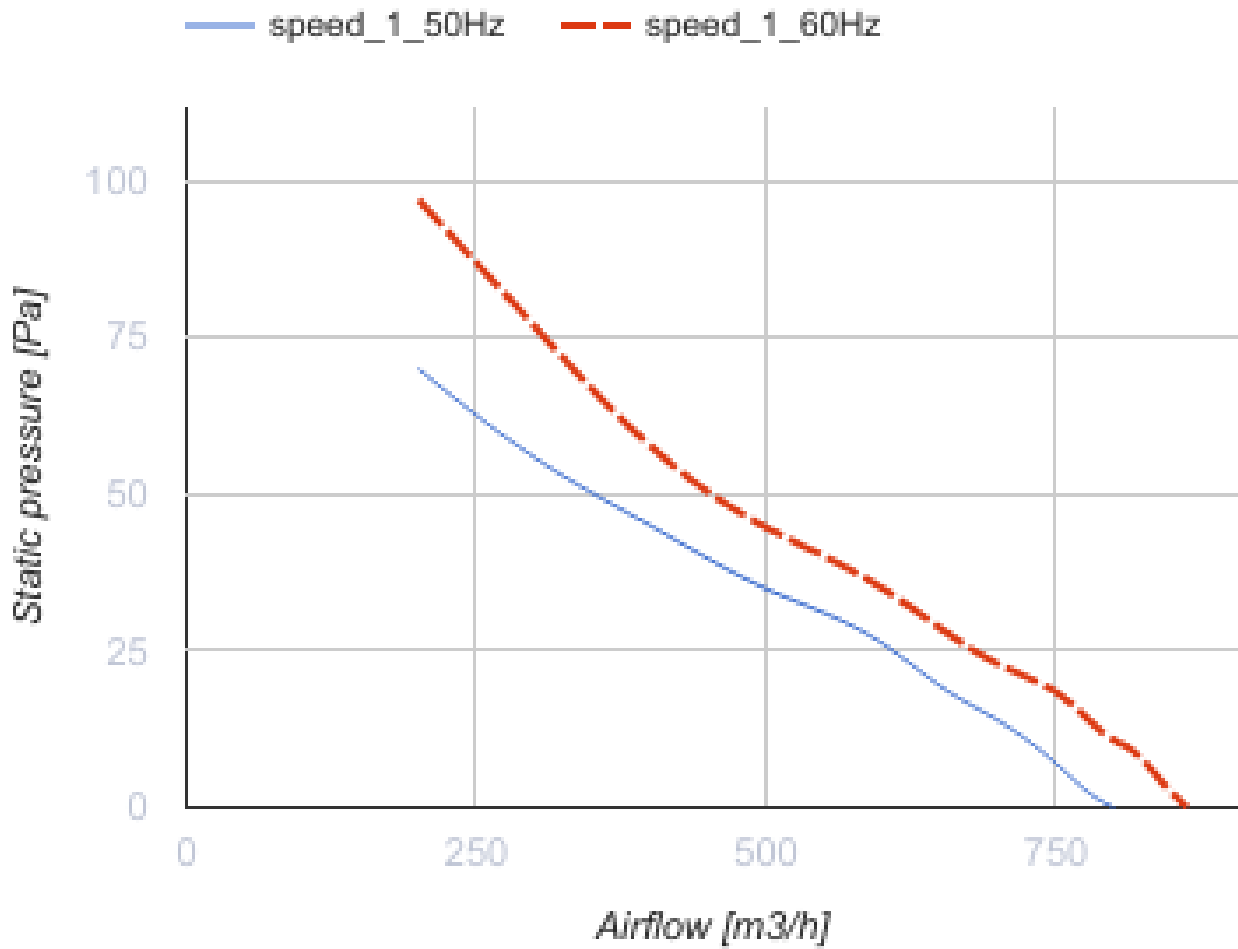
VOK 4E 250



Axial roof fans in the steel casing with the horizontal exhaust of air

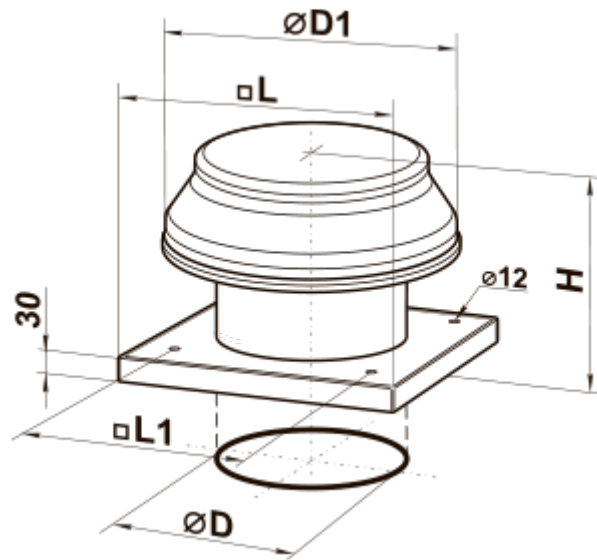
- Maximum airflow: 800
- Sound pressure level LpA at 3 m: 55
- Motor type: AC
- Impeller type: Axial
- Casing material: Coated steel

	Unit of measurement	VOK 4E 250
Connected air duct size	mm	250
Speed	-	1
Minimum supply voltage	V	220
Maximum supply voltage	V	240
Power supply frequency	Hz	50/60
Rated power	W	50
Unit current	A	0.22
Maximum airflow	m ³ /h	800
Sound pressure level LpA at 3 m	dB(A)	55
Weight	kg	7
Transported air temperature (max)	°C	60
Transported air temperature (min)	°C	-30
Ingress protection rating	-	IP24
Ingress protection rating of the drive	-	IP44



Dimensions

ØD	ØD1	H	L	L1
262	405	280	425	330



Ecodesign

Trademark	Vents
Model	VOK 4E 250
Type of drive installed	External MSD or VSD
Type of heat recovery system	None
Nominal flow rate (m ³ /s)	0.085
Nominal external pressure (Pa)	56
Maximum external leakage rates (%)	2.7
Static efficiency (%)	8.9
Declared typology	NRVU UVU
Sound power level (dB(A))	75
Effective electric power input (kW)	0.054