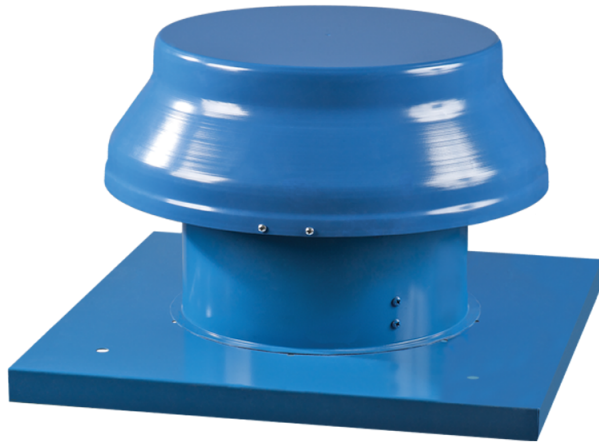


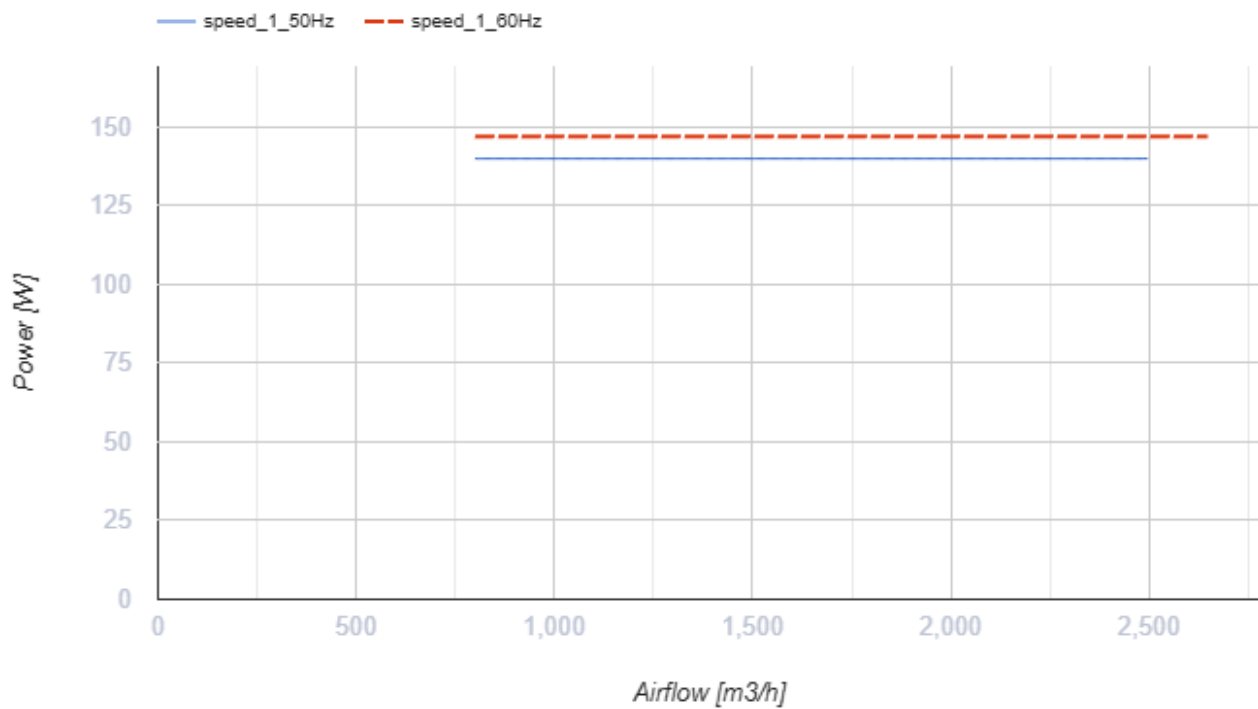
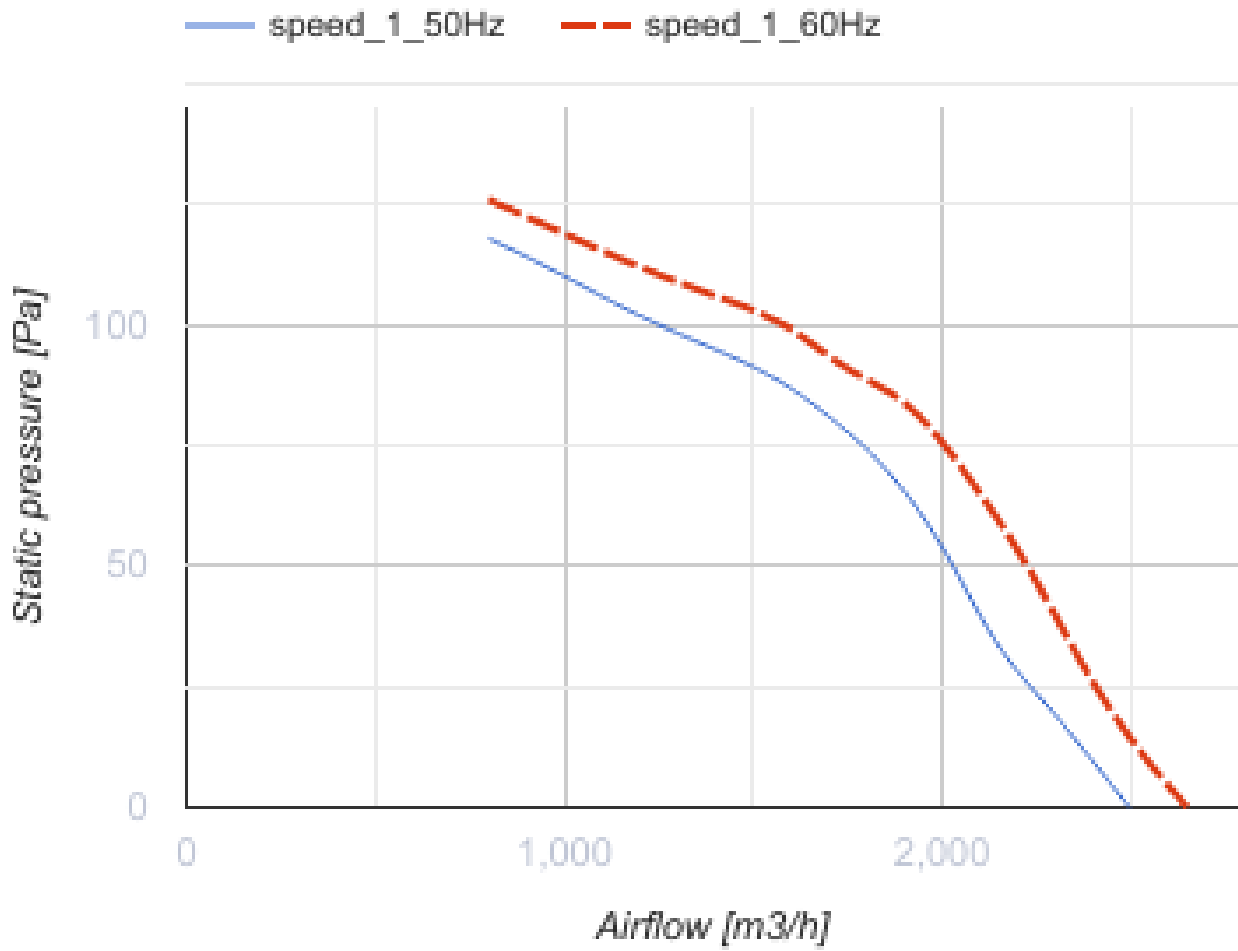
VOK 4E 350



Axial roof fans in the steel casing with the horizontal exhaust of air

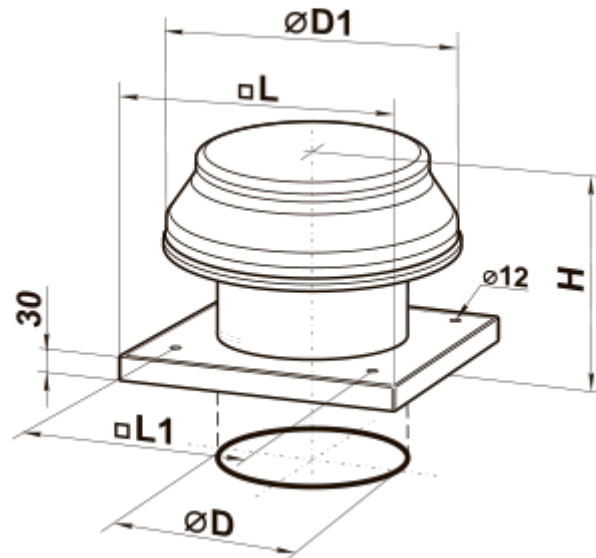
- Maximum airflow: 2500
- Sound pressure level LpA at 3 m: 62
- Motor type: AC
- Impeller type: Axial
- Casing material: Coated steel

	Unit of measurement	VOK 4E 350
Connected air duct size	mm	350
Speed	-	1
Minimum supply voltage	V	220
Maximum supply voltage	V	240
Power supply frequency	Hz	50/60
Rated power	W	140
Unit current	A	0.65
Maximum airflow	m ³ /h	2500
Sound pressure level LpA at 3 m	dB(A)	62
Weight	kg	12
Transported air temperature (max)	°C	60
Transported air temperature (min)	°C	-30
Ingress protection rating	-	IP24
Ingress protection rating of the drive	-	IP44



Dimensions

$\varnothing D$	$\varnothing D1$	H	L	L1
364	555	350	655	535



Ecodesign

Trademark	Vents
Model	VOK 4E 350
Type of drive installed	External MSD or VSD
Type of heat recovery system	None
Nominal flow rate (m ³ /s)	0.477
Nominal external pressure (Pa)	80
Maximum external leakage rates (%)	2.7
Static efficiency (%)	29.9
Declared typology	NRVU UVU
Sound power level (dB(A))	82
Effective electric power input (kW)	0.13