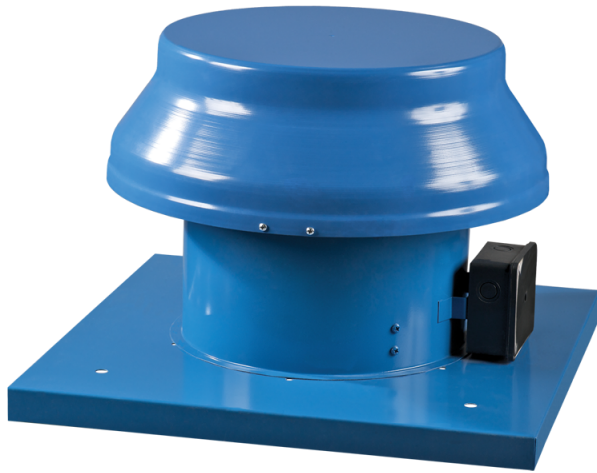


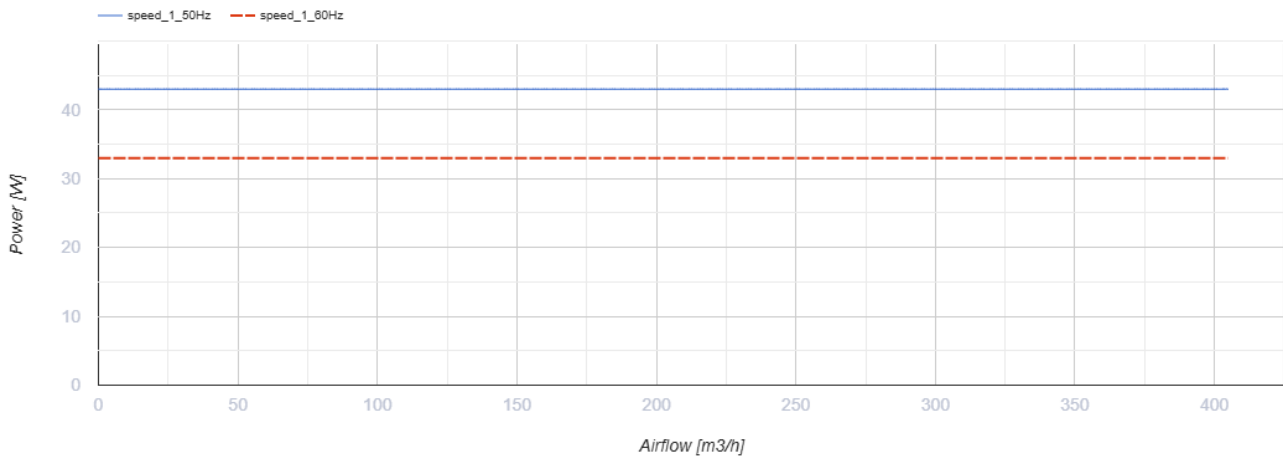
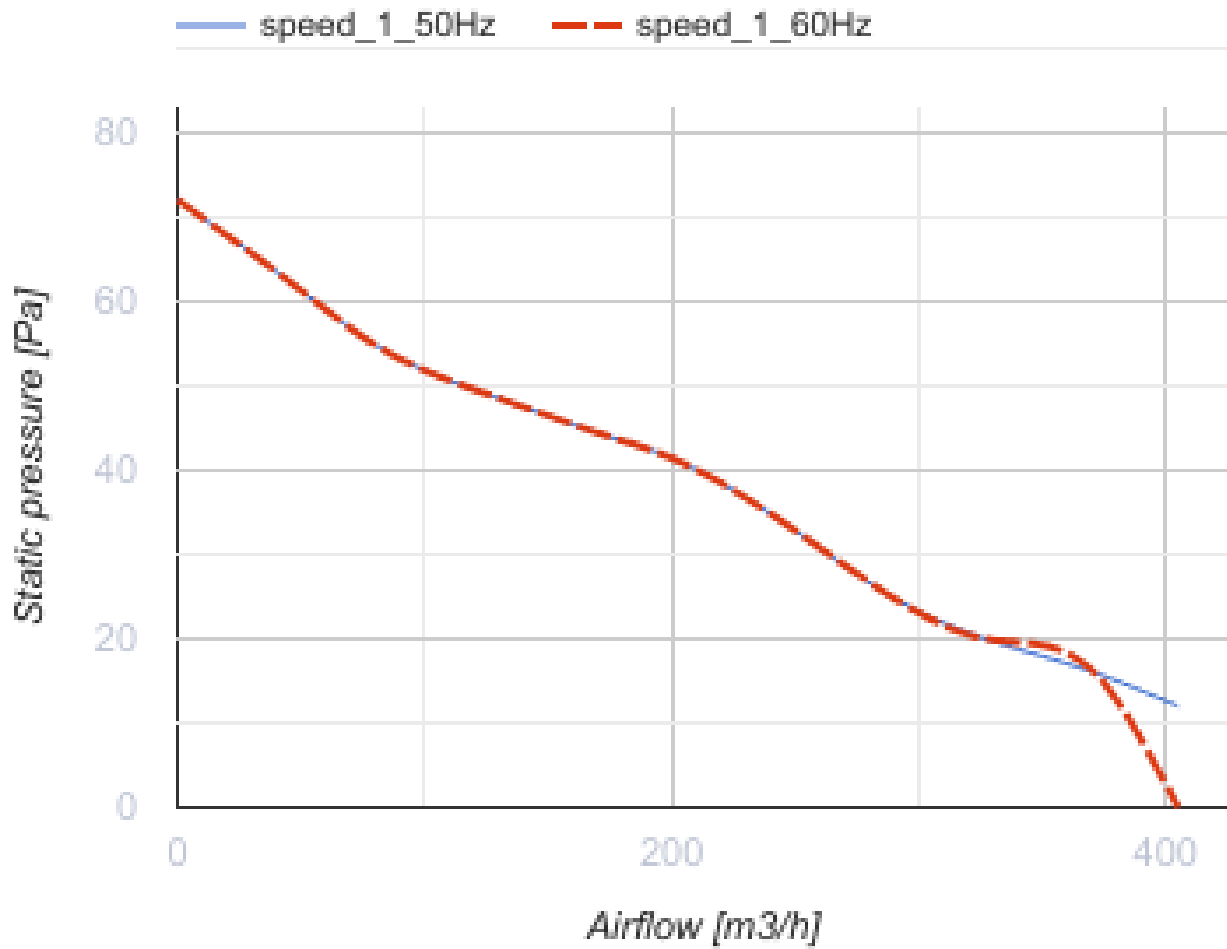
VOK1 200



Axial roof fans in the steel casing with the horizontal exhaust of air

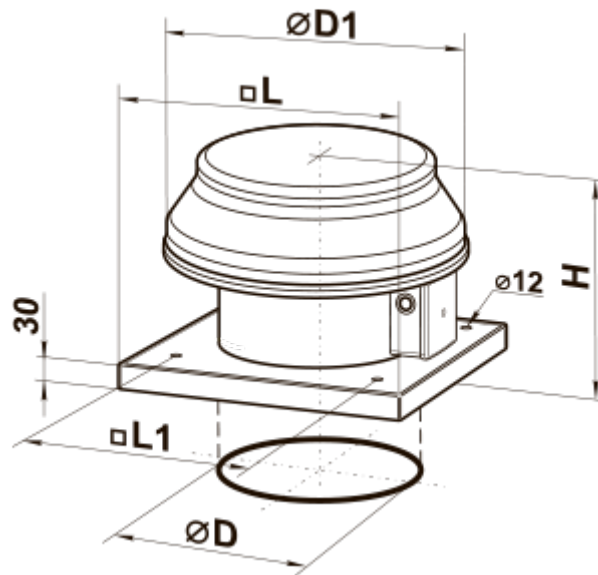
- Maximum airflow: 405
- Sound pressure level LpA at 3 m: 32
- Motor type: AC
- Impeller type: Axial
- Casing material: Polypropylene/Thermoplastic elastomer

	Unit of measurement	VOK1 200
Connected air duct size	mm	200
Speed	-	1
Minimum supply voltage	V	220
Maximum supply voltage	V	240
Power supply frequency	Hz	50/60
Rated power	W	43
Unit current	A	0.28
Maximum airflow	m ³ /h	405
Sound pressure level LpA at 3 m	dB(A)	32
Weight	kg	6.1
Transported air temperature (max)	°C	40
Ingress protection rating	-	IP24
Ingress protection rating of the drive	-	IP44



Dimensions

ØD	ØD1	H	L	L1
208	345	280	425	330



Ecodesign

Trademark	Vents
Model	VOK1 200
Type of drive installed	External MSD or VSD
Type of heat recovery system	None
Nominal flow rate (m ³ /s)	0.049
Nominal external pressure (Pa)	44
Maximum external leakage rates (%)	2.7
Static efficiency (%)	6.9
Declared typology	NRVU UVU
Effective electric power input (kW)	0.032
Sound power level (dB(A))	52