

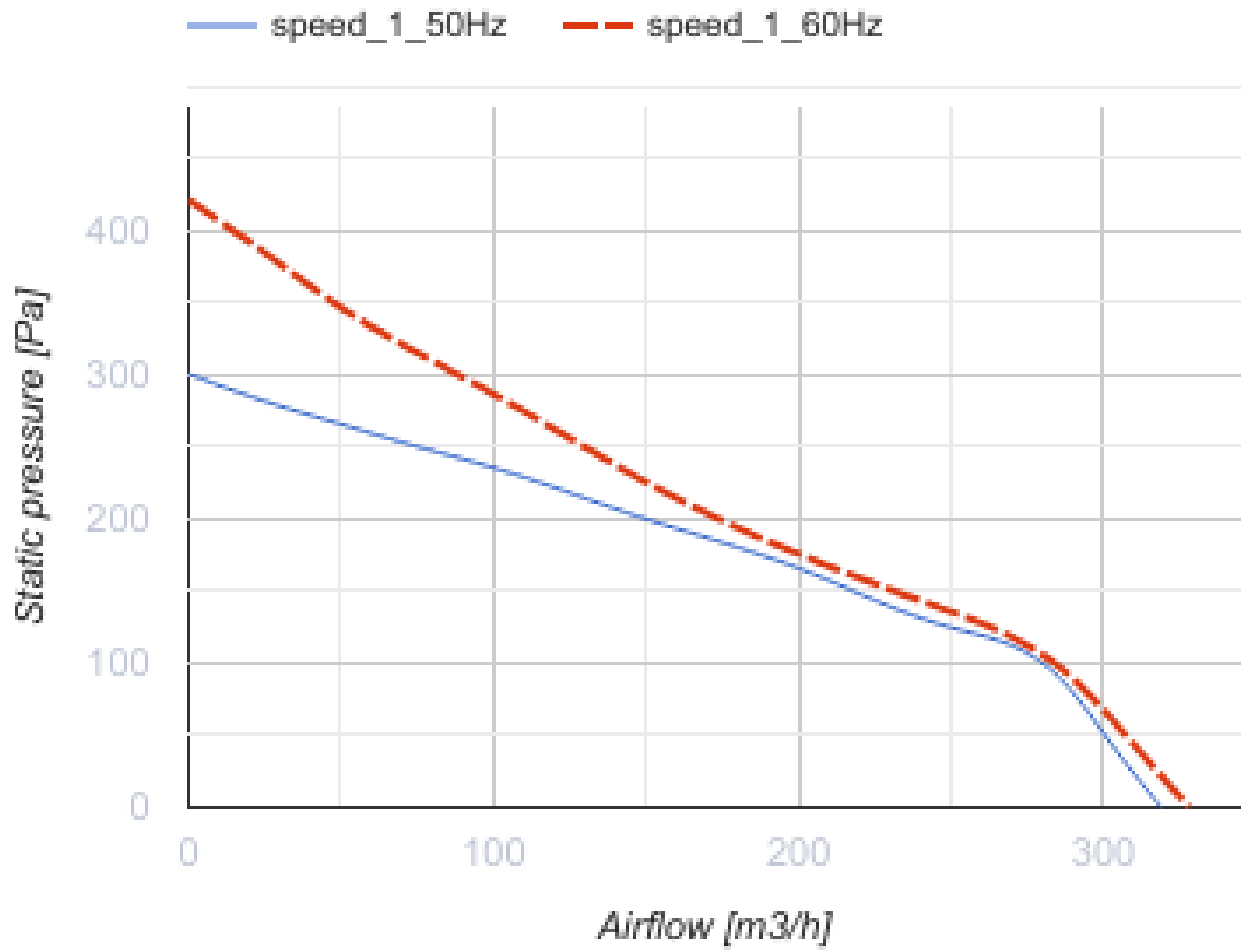
VP 125 K

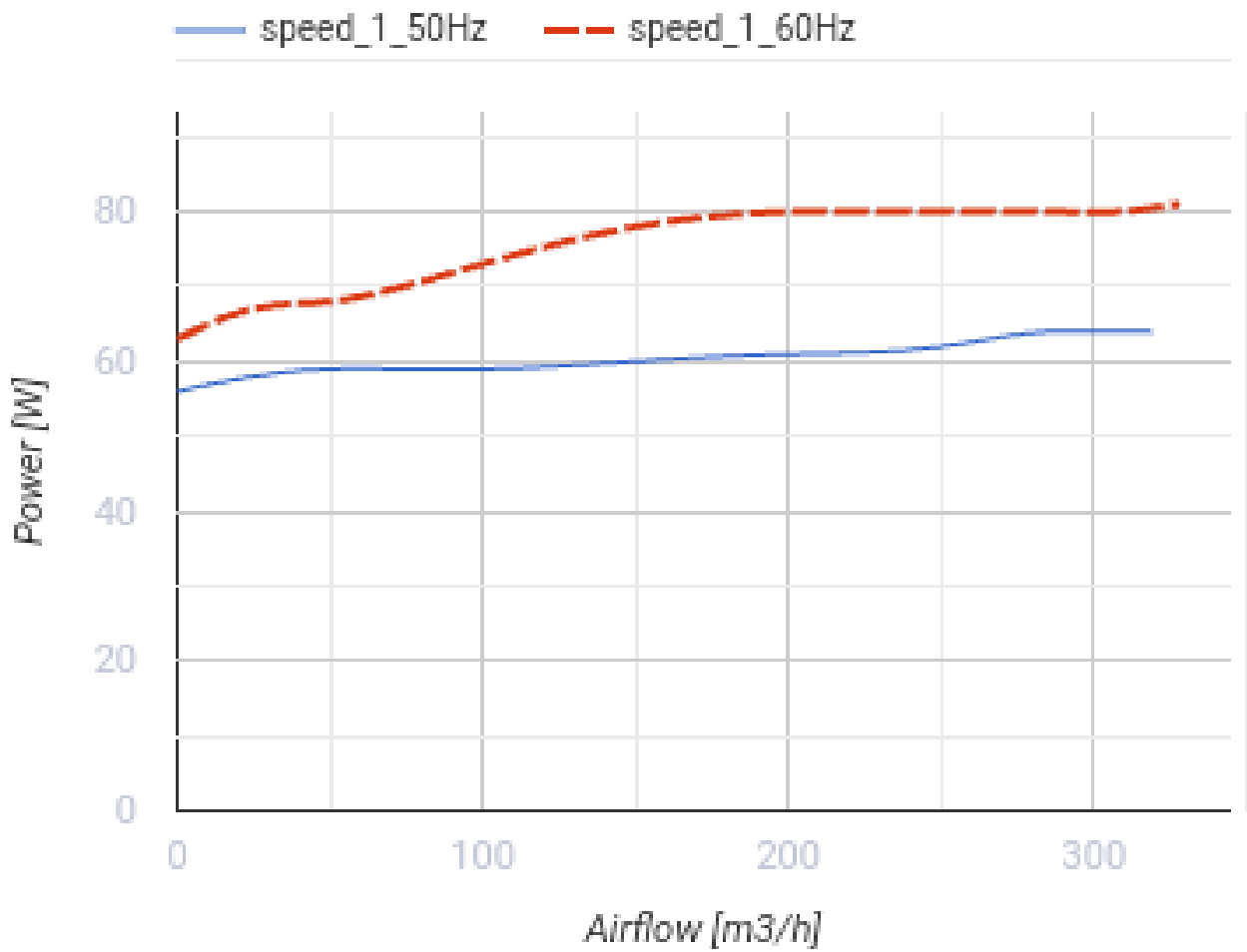


Centrifugal ceiling fans in steel casing with a plastic front panel

- Maximum airflow: 310
- Sound pressure level LpA at 3 m: 48
- Motor type: AC
- Impeller type: Centrifugal backward curved blades
- Casing material: Galvanized steel
- Backdraft protection: Backdraft damper

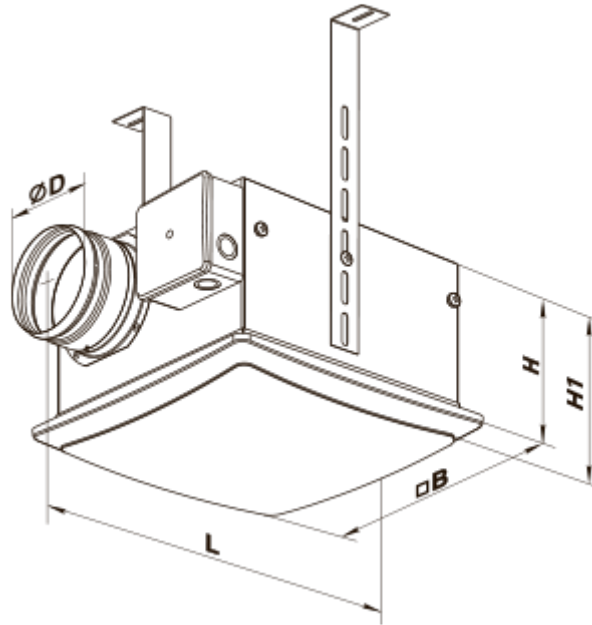
	Unit of measurement	VP 125 K
Connected air duct size	mm	125
Speed	-	1
Minimum supply voltage	V	230
Maximum supply voltage	V	230
Power supply frequency	Hz	50/60
Rated power	W	61
Unit current	A	0.26
Maximum airflow	m ³ /h	310
Sound pressure level LpA at 3 m	dB(A)	48
Weight	kg	3.4
Transported air temperature (max)	°C	50
Transported air temperature (min)	°C	-25
Ingress protection rating	-	IPX4
Ingress protection rating of the drive	-	IP44



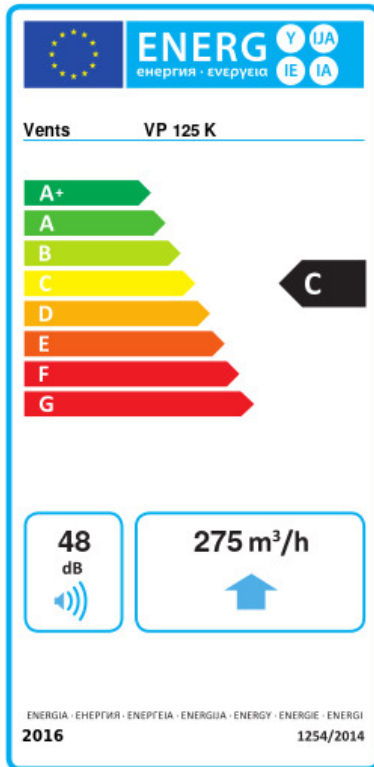


Dimensions

ØD	B	H	H1	L
125	240	160	189	305



Ecodesign



Trademark	Vents					
Model	VP 125 K					
Specific energy consumption (SEC) (kWh/(m ² /a))	Cold		Average		Warm	
	-53.1	A+	-26	C	-10.5	E
Type of ventilation unit	Unidirectional					
Type of drive installed	Variable speed					
Type of heat recovery system	None					
Maximum flow rate (m ³ /h)	275					
Electric power input (W)	61					
Reference flow rate (m ³ /s)	0.053					
Reference pressure difference (Pa)	50					
Specific power input (SPI) (W/(m ³ /h))	0.174					
Control typology	Local demand control					
Maximum external leakage rates (%)	2.7					
Declared typology	RVU UVU					
Sound power level (dB(A))	48					
The annual electricity consumption (AEC) (kWh/a)	Cold		Average		Warm	
	92		92		92	
The annual heating saved (AHS) (kWh/a)	Cold		Average		Warm	
	5536		2830		1280	