

# VPA 200-3,4-1 LCD



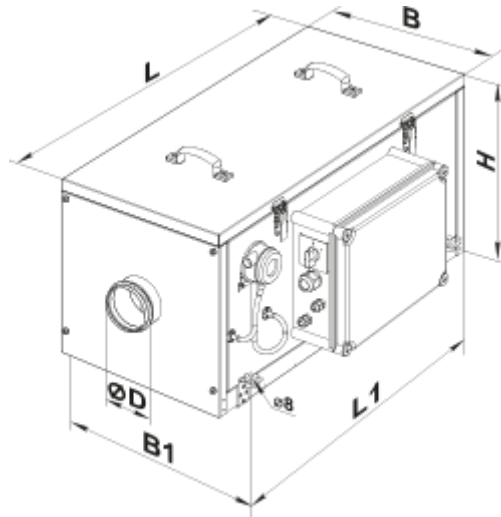
Supply units in the compact sound- and heat-insulated casing with electric heater

- Power of electrical reheater: 3400
- Maximum airflow: 810
- Sound pressure level LpA at 3 m: 30
- Filter: G4
- Sound insulation
- Motor type: AC
- Reheater: Electric
- Control: Remote Control
- Casing material: Galvanized steel

	Unit of measurement	VPA 200-3,4-1 LCD
Connected air duct size	mm	200
Speed	-	1
Minimum supply voltage	V	400
Maximum supply voltage	V	400
Power supply frequency	Hz	50
Rated power	W	193
Power of electrical reheater	W	3400
Unit current	A	14.8
Maximum airflow	m <sup>3</sup> /h	810
Sound pressure level LpA at 3 m	dB(A)	30
Weight	kg	52
Filter	-	G4
Transported air temperature (max)	°C	55
Transported air temperature (min)	°C	-25
Ambient air temperature min	°C	0
Ambient air temperature max	°C	40
Ambient air humidity max	%	80
Ingress protection rating	-	IP22
Ingress protection rating of the drive	-	IP44

## Dimensions

ØD	B	B1	H	L	L1
199	487	526.5	513	835	684





## Accessories

### For round ducts

Name	Photo	Description
<a href="#">SR 200/600</a>		Silencers made of galvanized steel filled with non-combustible sound-absorbing material
<a href="#">SR 200/900</a>		Silencers made of galvanized steel filled with non-combustible sound-absorbing material
<a href="#">SR 200/1200</a>		Silencers made of galvanized steel filled with non-combustible sound-absorbing material
<a href="#">SRF 200/600</a>		Silencers made of aluminium alloy filled with non-combustible sound-absorbing material
<a href="#">SRF 200/900</a>		Silencers made of aluminium alloy filled with non-combustible sound-absorbing material
<a href="#">SRF 200/2000</a>		Silencers made of aluminium alloy filled with non-combustible sound-absorbing material

### For round ducts

Name	Photo	Description
------	-------	-------------

<a href="#">KOM 200</a>		Backdraught damper with spring-loaded plates for shutting off air flow in round air ducts
<a href="#">KRV 200</a>		Air dampers for automatic air flow control in round ducts

### Other accessories

Name	Photo	Description
<a href="#">VVG 200</a>		Flexible anti-vibration inserts for round ducts

### Other accessories

Name	Photo	Description
SF 439x428x70 G4		Panel filter G4