

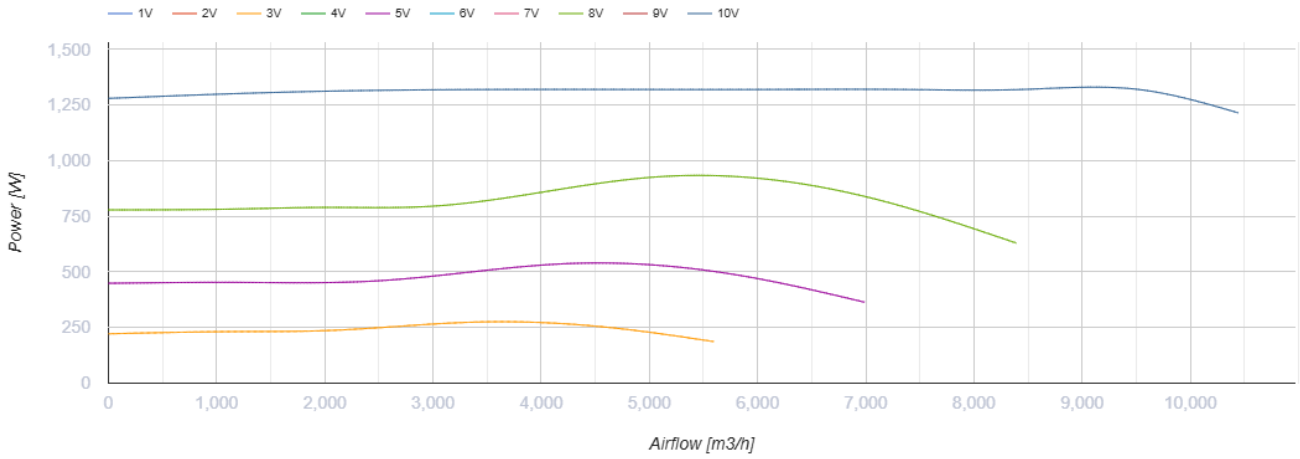
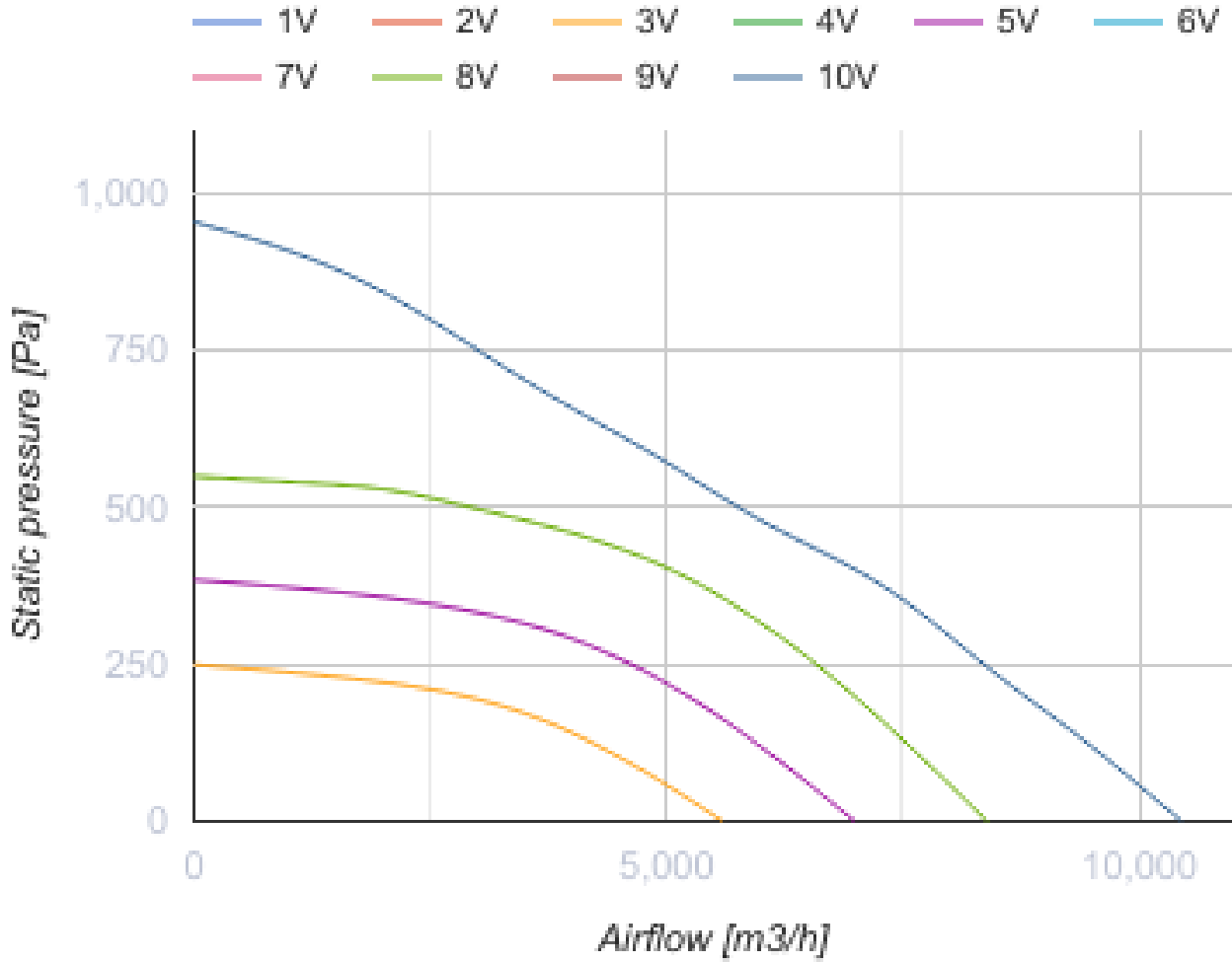
## VS 500 EC



Centrifugal inline fans in sound-insulated casings with EC-motors

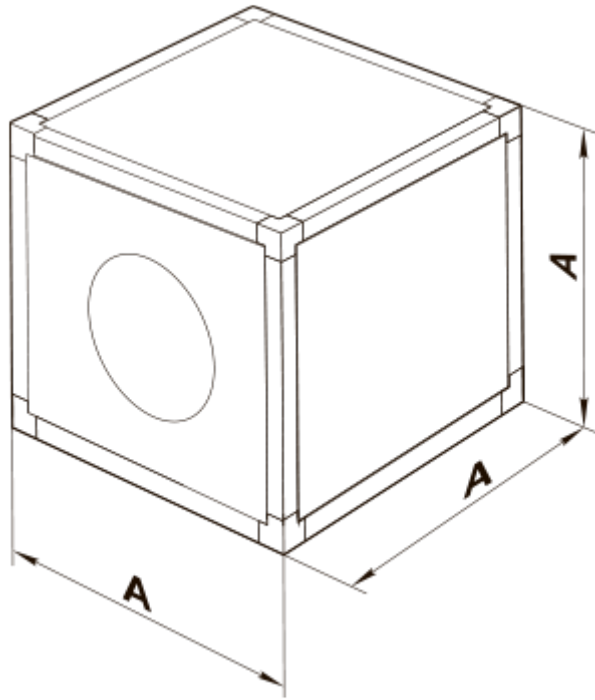
- Maximum airflow: 10450
- Sound pressure level LpA at 3 m: 45
- Sound insulation
- Motor type: EC
- Impeller type: Centrifugal backward curved blades
- Casing material: Polypropylene/Thermoplastic elastomer
- Installation in any position

	Unit of measurement	VS 500 EC
Connected air duct size	mm	500
Speed	-	1
Minimum supply voltage	V	380
Maximum supply voltage	V	480
Power supply frequency	Hz	50/60
Rated power	W	1320
Unit current	A	2.1
Maximum airflow	m <sup>3</sup> /h	10450
Sound pressure level LpA at 3 m	dB(A)	45
Weight	kg	50
Transported air temperature (max)	°C	50
Transported air temperature (min)	°C	-25
Ingress protection rating	-	IPX4



## Dimensions

<b>A</b>
670



## Ecodesign

Trademark	Vents
Model	VS 500 EC
Type of drive installed	Integrated VSD
Type of heat recovery system	None
Nominal flow rate (m <sup>3</sup> /s)	1.312
Nominal external pressure (Pa)	534
Maximum external leakage rates (%)	2.7
Static efficiency (%)	58.5
Declared typology	NRVU UVU
Effective electric power input (kW)	1.32
Sound power level (dB(A))	65