

VUE 250 P3 A12

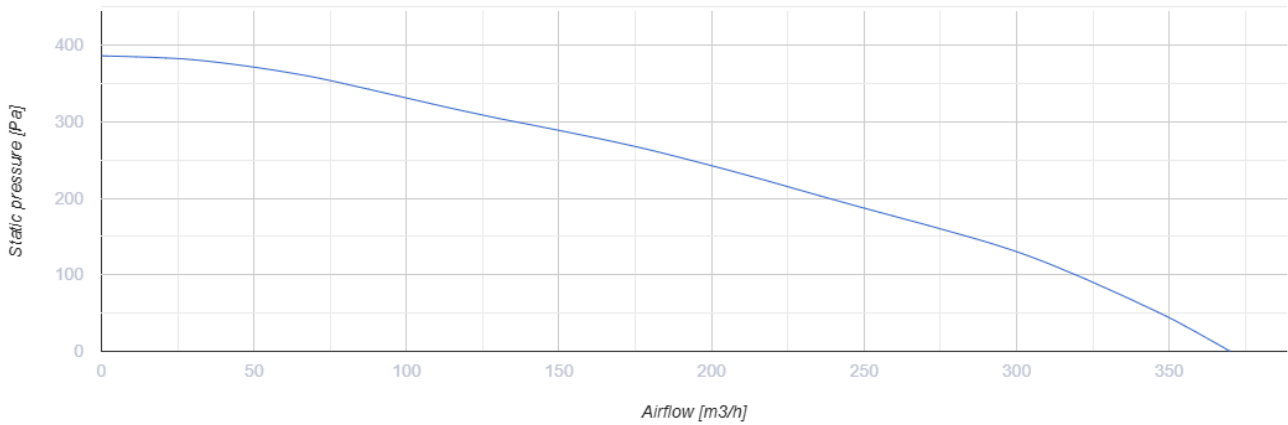


Heat recovery air handling units in heat- and sound-insulated casing

- Maximum airflow: 370
- Sound pressure level LpA at 3 m: 52
- Heat exchanger type: Cross flow
- Extract filter: G4
- Supply filter: G4 and F8 (PM2.5 83%)
- Sound insulation
- Motor type: AC
- Enthalpy heat exchanger
- Control: Remote Control
- Casing material: Polypropylene/Thermoplastic elastomer

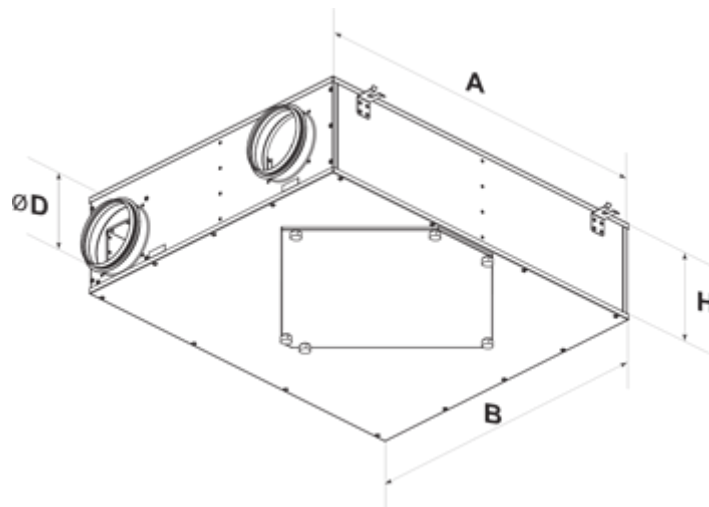
	Unit of measurement	VUE 250 P3 A12
Connected air duct size	mm	150
Speed	-	1
Minimum supply voltage	V	230
Maximum supply voltage	V	230
Power supply frequency	Hz	50
Rated power	W	250
Unit current	A	1.1
Maximum airflow	m ³ /h	370
Sound pressure level LpA at 3 m	dB(A)	52
Heat recovery efficiency, max	%	76
Heat exchanger type	-	Cross flow
Heat exchanger material	-	Enthalpy
Weight	kg	29
Extract filter	-	G4
Supply filter	-	G4 and F8 (PM2.5 83%)
Transported air temperature (max)	°C	40
Transported air temperature (min)	°C	-15
Ambient air temperature min	°C	0
Ambient air temperature max	°C	40
Ambient air humidity max	%	80
Ingress protection rating	-	IP22

Ingress protection rating of the drive	-	IP44
--	---	------




Dimensions

ØD	A	B	H
150	854	704	227



Accessories

Other accessories

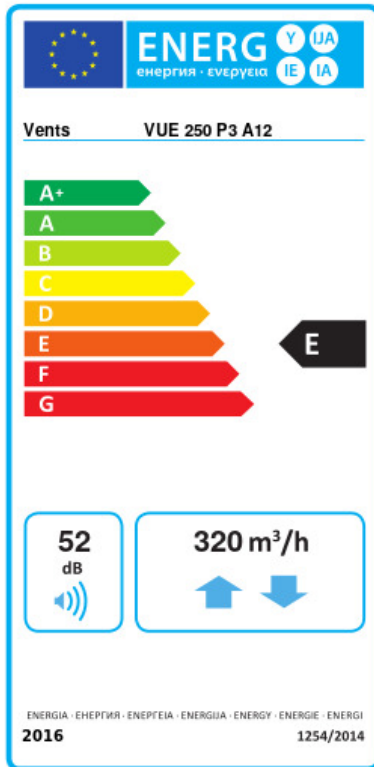
Name	Photo	Description
SF 300x220x48 G4		Panel filter G4

SF 300x220x48 F8



F8 panel filter

Ecodesign



Trademark	Vents					
Model	VUE 250 P3 A12					
Specific energy consumption (SEC) (kWh/(m ² /a))	Cold	Average		Warm		
	-53.7	A+	-16	E	9.2	G
Type of ventilation unit	Bidirectional					
Type of drive installed	Variable speed					
Type of heat recovery system	Recuperative					
Thermal efficiency of heat recovery (%)	70					
Maximum flow rate (m ³ /h)	320					
Electric power input (W)	240					
Reference flow rate (m ³ /s)	0.062					
Reference pressure difference (Pa)	50					
Specific power input (SPI) (W/(m ³ /h))	0.75					
Control typology	Manual control					
Maximum internal leakage rates (%)	2.7					
Maximum external leakage rates (%)	2.7					
Declared typology	RVU BVU					
Sound power level (dB(A))	52					
The annual electricity consumption (AEC) (kWh/a)	Cold	Average		Warm		
	1522	985		940		
The annual heating saved (AHS) (kWh/a)	Cold	Average		Warm		
	6188	3163		1430		