

VUE 350 P3 A1



Heat recovery air handling units in heat- and sound-insulated casing

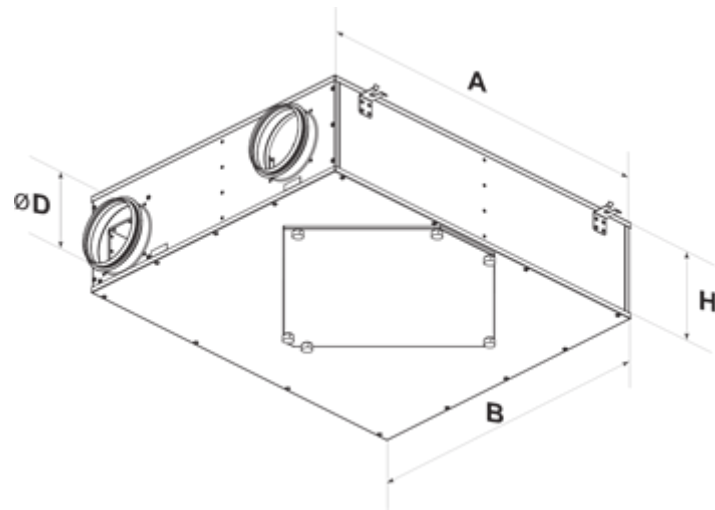
- Maximum airflow: 400
- Sound pressure level LpA at 3 m: 57
- Heat exchanger type: Cross flow
- Extract filter: G4
- Supply filter: G4 and F8 (PM2.5 87%)
- Sound insulation
- Motor type: AC
- Enthalpy heat exchanger
- Control: Remote Control
- Casing material: Coated steel

	Unit of measurement	VUE 350 P3 A1
Connected air duct size	mm	150
Speed	-	1
Minimum supply voltage	V	230
Maximum supply voltage	V	230
Power supply frequency	Hz	50
Rated power	W	310
Unit current	A	1.4
Maximum airflow	m ³ /h	400
Sound pressure level LpA at 3 m	dB(A)	57
Heat recovery efficiency, max	%	87
Heat exchanger type	-	Cross flow
Heat exchanger material	-	Enthalpy
Weight	kg	42
Extract filter	-	G4
Supply filter	-	G4 and F8 (PM2.5 87%)
Transported air temperature (max)	°C	40
Transported air temperature (min)	°C	-15
Ambient air temperature min	°C	0
Ambient air temperature max	°C	40
Ambient air humidity max	%	80
Ingress protection rating	-	IP22

Ingress protection rating of the drive	-	IP44
ErP compliance	-	2016
Cold - Specific energy consumption (SEC)	kWh/(m ² /a)	45.8
SEC Class Cold	-	A+
Average - Specific energy consumption (SEC)	kWh/(m ² /a)	12.8
SEC Class Average	-	E
Warm - Specific energy consumption (SEC)	kWh/(m ² /a)	8.7
SEC Class Warm	-	G
Unit category	-	RVU
Type of ventilation unit	-	Bidirectional
Type of drive installed	-	Variable speed
Type of heat recovery system	-	Recuperative
Thermal efficiency of heat recovery	%	72
Maximum flow rate	m ³ /h	360
Electric power input	W	308
Reference flow rate	m ³ /s	0.07
Reference pressure difference	Pa	50
Specific power input (SPI)	W/(m ³ /h)	0.856
Control typology	-	Manual control
Maximum internal leakage rates	%	2.7
Maximum external leakage rates	%	2.7
Cold - The annual electricity consumption (AEC)	kWh/a	1654
Average - The annual electricity consumption (AEC)	kWh/a	1117
Warm - Jährlicher Stromverbrauch (JSV)	kWh/a	1072
Cold - The annual heating saved (AHS)	kWh/a	7842
The annual heating saved (AHS) Average	kWh/a	4008
The annual heating saved (AHS) Warm	kWh/a	1813
Sound power level	dB(A)	57
Declared typology	-	RVU BVU



Dimensions

ØD	A	B	H
150	1024	754	277



Accessories

Other accessories

Name	Photo	Description
SF 300x270x48 G4		Panel filter G4
SF 300x270x48 F8		F8 panel filter

Speed controllers

Name	Photo	Description
RS-1-400		Speed controller