

VUE 450 P3 R A3



Heat recovery air handling units in heat- and sound-insulated casing

- Maximum airflow: 500
- Sound pressure level LpA at 3 m: 57
- Heat exchanger type: Cross flow
- Extract filter: G4
- Supply filter: G4 and F8 (PM2.5 93%)
- Sound insulation
- Motor type: AC
- Enthalpy heat exchanger
- Control: Remote Control
- Casing material: Coated steel

	Unit of measurement	VUE 450 P3 R A3
Connected air duct size	mm	150
Speed	-	1
Minimum supply voltage	V	230
Maximum supply voltage	V	230
Power supply frequency	Hz	50
Rated power	W	354
Unit current	A	1.54
Maximum airflow	m ³ /h	500
Sound pressure level LpA at 3 m	dB(A)	57
Heat recovery efficiency, max	%	87
Heat exchanger type	-	Cross flow
Heat exchanger material	-	Enthalpy
Weight	kg	39
Extract filter	-	G4
Supply filter	-	G4 and F8 (PM2.5 93%)
Transported air temperature (max)	°C	40
Transported air temperature (min)	°C	-15
Ambient air temperature min	°C	0
Ambient air temperature max	°C	40
Ambient air humidity max	%	60
Ingress protection rating	-	IP22

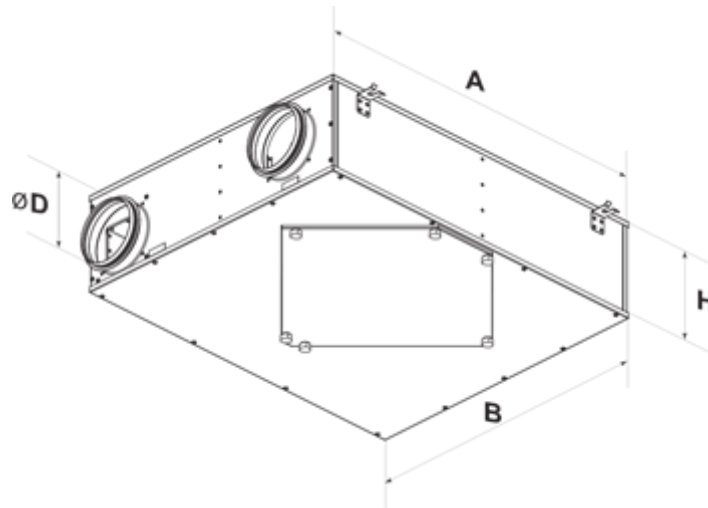
Ingress protection rating of the drive

-

IP44



Dimensions

ØD	A	B	H
150	1020	704	227




Accessories

Other accessories

Name	Photo	Description
SF 300x270x48 G4		Panel filter G4
SF 300x270x48 F8		F8 panel filter

Speed control switches

Name	Photo	Description
P3-1-300		Switch