

# VUT 1500 WH-4 R



Horizontal air handling units with a crossflow heat exchanger

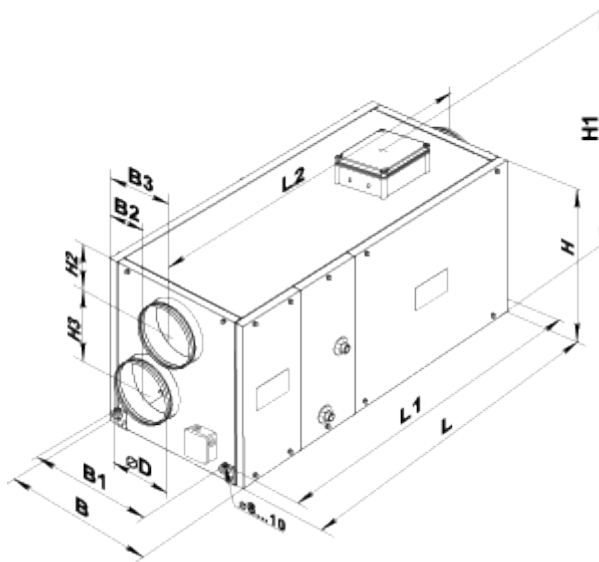
- Maximum airflow: 1700
- Sound pressure level LpA at 3 m: 49
- Heat exchanger type: Cross flow
- Extract filter: G4
- Supply filter: G4
- Sound insulation
- Motor type: AC
- Reheater: Water
- Control: Remote Control
- Casing material: Galvanized steel

	Unit of measurement	VUT 1500 WH-4 R
Connected air duct size	mm	315
Speed	-	1
Minimum supply voltage	V	230
Maximum supply voltage	V	230
Power supply frequency	Hz	50/60
Rated power	W	980
Unit current	A	4.3
Maximum airflow	m <sup>3</sup> /h	1700
Sound pressure level LpA at 3 m	dB(A)	49
Heat recovery efficiency, max	%	77
Heat exchanger type	-	Cross flow
Heat exchanger material	-	Polystyrene
Weight	kg	88
Extract filter	-	G4
Supply filter	-	G4
Transported air temperature (max)	°C	40
Transported air temperature (min)	°C	-25
Ambient air temperature min	°C	1
Ambient air temperature max	°C	40
Ambient air humidity max	%	80
Ingress protection rating	-	IP22

Ingress protection rating of the drive	-	IP44
--	---	------

## Dimensions


ØD	B	B1	B2	B3	H	H1	H2	H3	L	L1	L2
314	842	581	320	520	814	947	201	595	1345	1388	1445




## Accessories

### For round ducts



Name	Photo	Description
<a href="#">SR 250/600</a>		Silencers made of galvanized steel filled with non-combustible sound-absorbing material
<a href="#">SR 250/900</a>		Silencers made of galvanized steel filled with non-combustible sound-absorbing material
<a href="#">SR 250/1200</a>		Silencers made of galvanized steel filled with non-combustible sound-absorbing material
<a href="#">SRF 250/600</a>		Silencers made of aluminium alloy filled with non-combustible sound-absorbing material
<a href="#">SRF 250/900</a>		Silencers made of aluminium alloy filled with non-combustible sound-absorbing material

<a href="#">SRF 250/2000</a>		Silencers made of aluminium alloy filled with non-combustible sound-absorbing material
------------------------------	---	--

### For round ducts

Name	Photo	Description
<a href="#">KOM 250</a>		Backdraught damper with spring-loaded plates for shutting off air flow in round air ducts
<a href="#">KR 250</a>		Air dampers for controlling air flow in round air ducts

### Other accessories

Name	Photo	Description
SF 550x253x48 G4		Panel filter G4
VL C4 300/300		Summer block