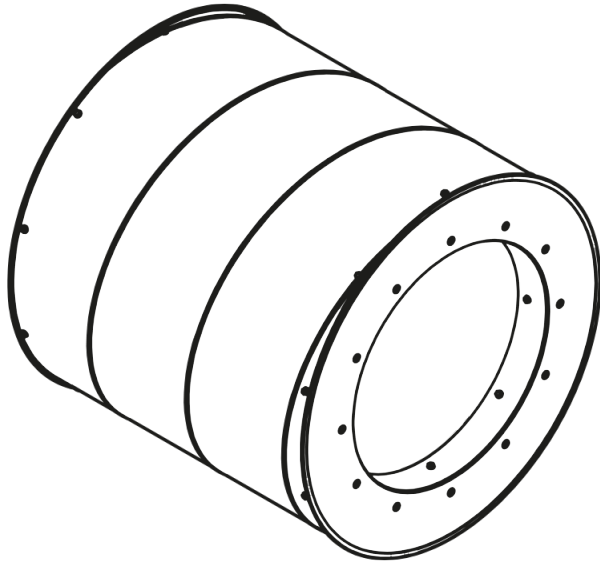


## Series **SR silencer**

The silencer is used for attenuation of the operation noise generated by ventilation equipment and spreaded in the air ducts



Lineup