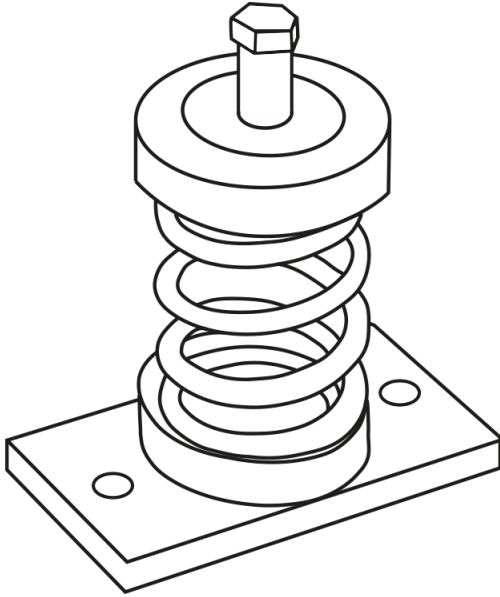


## Series **VVCp-VO**

The spring-loaded antivibration mounts are used for attenuation of noise and vibration generated by ventilation equipment



Lineup