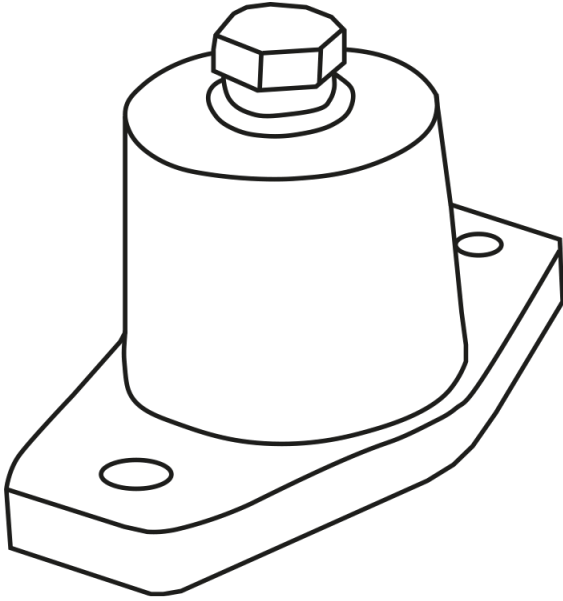


Series **VVCr-VO**

The rubber anti-vibration mounts are used for attenuation of noise and vibration generated by ventilation equipment



Lineup