

## IMPULSE FANS FOR PARKING VENTILATION

### Series VENTS JAF-K



Impulse fans for parking ventilation.  
Compactness. Power. Efficiency.

#### ■ Purpose

The axial impulse fans JAF-K are designed for regular supply and exhaust ventilation of underground parkings as well as smoke extraction in case of fire. The fans are compatible with round  $\varnothing$  315 mm and 350 mm air ducts. JAF-KI model is made with a sound-insulated casing. The fan with fire resistance +200 °C is rated for 2 hours operation and the fan with fire resistance +300 °C is rated for 1 hour operation in the smoke extraction system. The high speed air stream generated by JAF-K impulse fans moves air in a required direction.

#### ■ Design

JAF-K casing is made of galvanized steel. JAF-KI casing is made of polymer coated steel and is sound-insulated with mineral wool.

#### ■ Motor

Three-phase asynchronous short-circuit rotor motor, integrated in the fan casing. The motor ingress protection rating is IP 54. Dynamically balanced impeller is made of aluminium. The motor design ensures operation of the fan in a smoke extraction systems in forward or reverse modes.

#### ■ Mounting

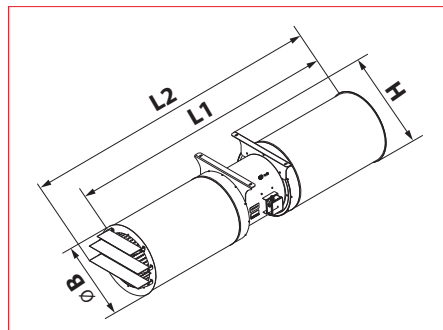
Wall or ceiling mounting with fixing brackets. The specially designed anti-vibration mounts (specially ordered accessories) are recommended for vibration absorption.

#### ■ Technical data

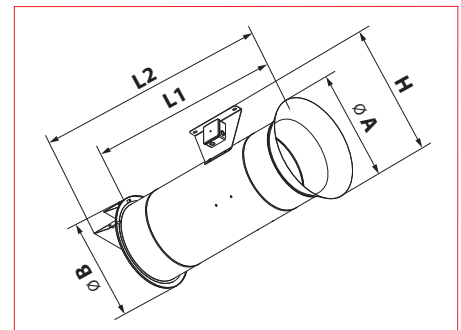
Model	JAF-KI-315-0,75-2-U	JAF-KI-355-1,1-2-U
Voltage, 50 Hz [V]	3~ 400	3~ 400
Max. air flow [m <sup>3</sup> /h]	4700	7165
Power [kW]	0.75	1.1
Thrust (Impulse) [N]	23	44
Air speed [m/s]	17.3	19.3
Rotation Speed [rpm]	2820	2830
Transported air temperature [°C]	-25 +55	-25 +55

#### ■ Overall dimensions

Model	Dimensions [mm]				
	A	B	H	L1	L2
JAF-K 315	381.4	380	398.2	866.6	1001.1
JAF-K 355	471.7	430	499.3	981.7	1116.2
JAF-KI 315	-	414	425	1653.7	1763.2
JAF-KI 355	-	467	482.2	1954	2079



JAF-KI



JAF-K

#### Designation key:

Model	Casing type	Casing insulation	Diameter [mm]	Power [kW]	Number of poles	Air flow direction	Fire resistance °C / hours
JAF - Jet Axial Fan	K - round	I - insulation	315 355	0.75 1.1	2	U - forward direction	- max 55 °C 200/2 300/2 400/2