

Series
VENTS VPVO



Axial Air Pressurization Fans for Smoke Control Ventilation.
Air Capacity
up to 120 000 m³/h

■ **Purpose**

Smoke control ventilation in specially designed supply smoke extraction systems for creating a positive pressure differential in lift shafts, at landings and in air-lock corridors to prevent smoke penetration and ensure fire fighting. Duct ventilation systems for transportation of large air volumes, for example, for ventilation of tunnels and subways.

■ **Design**

The casing is made of polymer coated steel. The rolled flanges ensure high rigidity and minimum clearances between the casing and the blades. Modification with a sealed electric lead-in, external terminal box and an inspection door is also available. The fan may be equipped with fixing brackets. The fan blades are available in aluminium, polyamide or polypropylene. The blade installation angle is adjustable to attain the maximum efficiency. The impeller blades are light and have low inertia torque that provides quick fan start.

■ **Motor**

Three-phase single-speed asynchronous short-circuit rotor motors.

■ **Speed control**

Speed control by means of the frequency converter or the soft starter.

■ **Mounting**

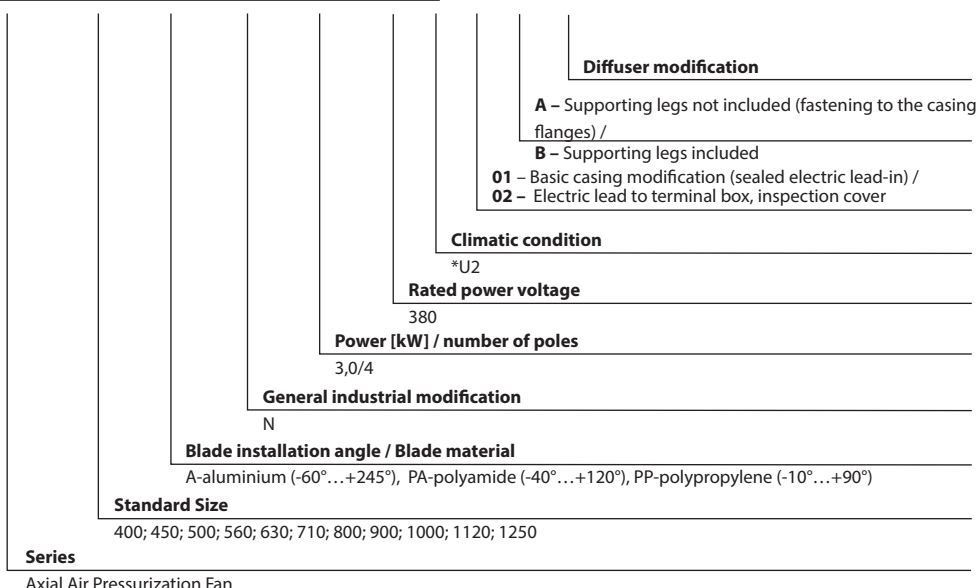
The fan is designed for even surface mounting or direct installation into the air duct. For wiring installation and mounting of the fan follow the guidelines in the user's manual and wiring diagram on the terminal box. The fan is also suitable for mounting in the wall without any extra supports or ventilation chamber.

■ **Technical data**

	VPVO-630-48,5/ A-N-3,0/4-380-U2-01-B	VPVO-630-50/ A-N-3,0/4-380-U2-01-B
Voltage [V] / 50 Hz	3~ 400	3~ 400
Generating capacity Ny [kW]	3	3
Rated Current [A]	6,5	6,5
Rotation Speed [rpm]	1450	1450
Maximum Transported Air Temperature [°C]	55	55
Motor ingress protection	54	54
Weight [kg]	60	60

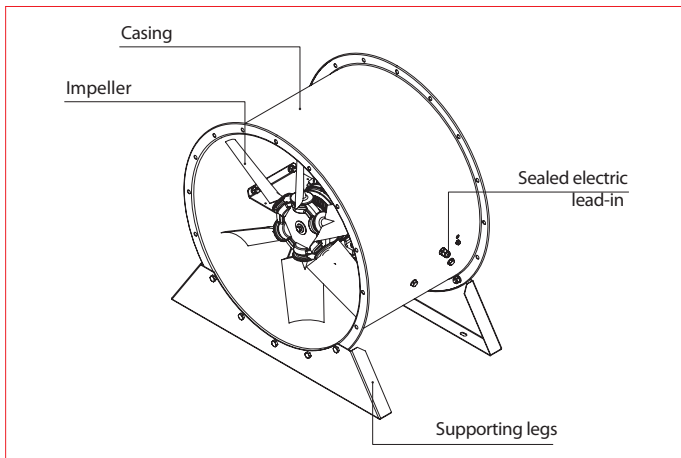
Designation key:

VENTS VPVO-X-X / X-X-X / X-X-X-X-A/D

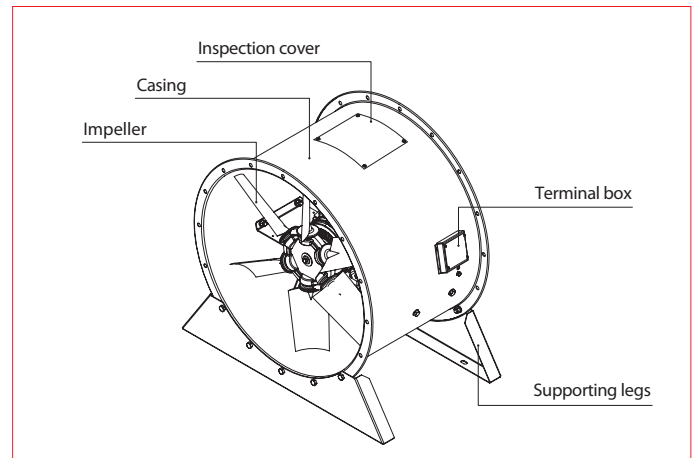


* – 40 up to +40 for moderate and low temperature climatic conditions; -10 up to +50 for tropical climate.

■ **Modification 01**



■ **Modification 02**



■ **Overall dimensions [mm]**

