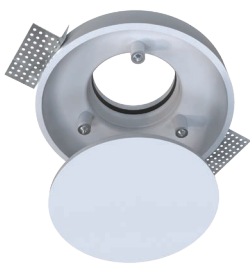


FLUSH-MOUNTED DIFFUSER SERIES

DP-RC 125
DP-RC 150
DP-RC 160
DP-C 125
DP-C 150
DP-C 160



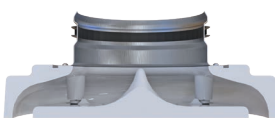
Flush-mounted diffusers DP-RC/C are a perfect solution for rooms of different designs and purposes as they are almost unnoticeable on the ceiling, they have stylish appearance and can be painted to match the necessary color. Round and square panel shapes are available to match the room's geometry. Attachable 125, 150 or 160 mm air ducts allow to arrange the necessary air distribution patterns.



The decorative panels are fixed with magnets, which allows for easy and fast maintenance



Easy mounting under suspended ceiling, attached to various elements of air duct systems



Pressure loss is minimized due to the aerodynamic shape



Eight-segmented throttle enables adjusting the necessary air flow

Assortment



DP-RC 125



DP-RC 150/160



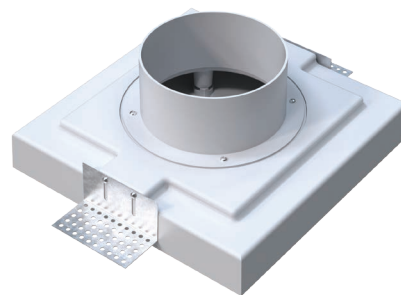
DP-C 125



DP-C 150/160

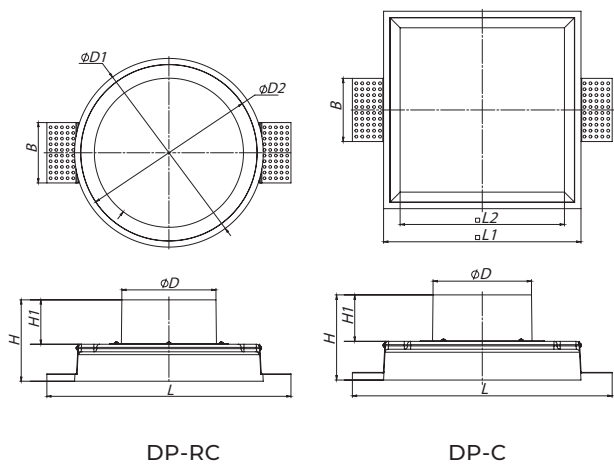


Metal flange (MF) with a cuff to be attached to metal air ducts or mounting elements



Plastic flange (default) to be attached to rigid or flexible ducts

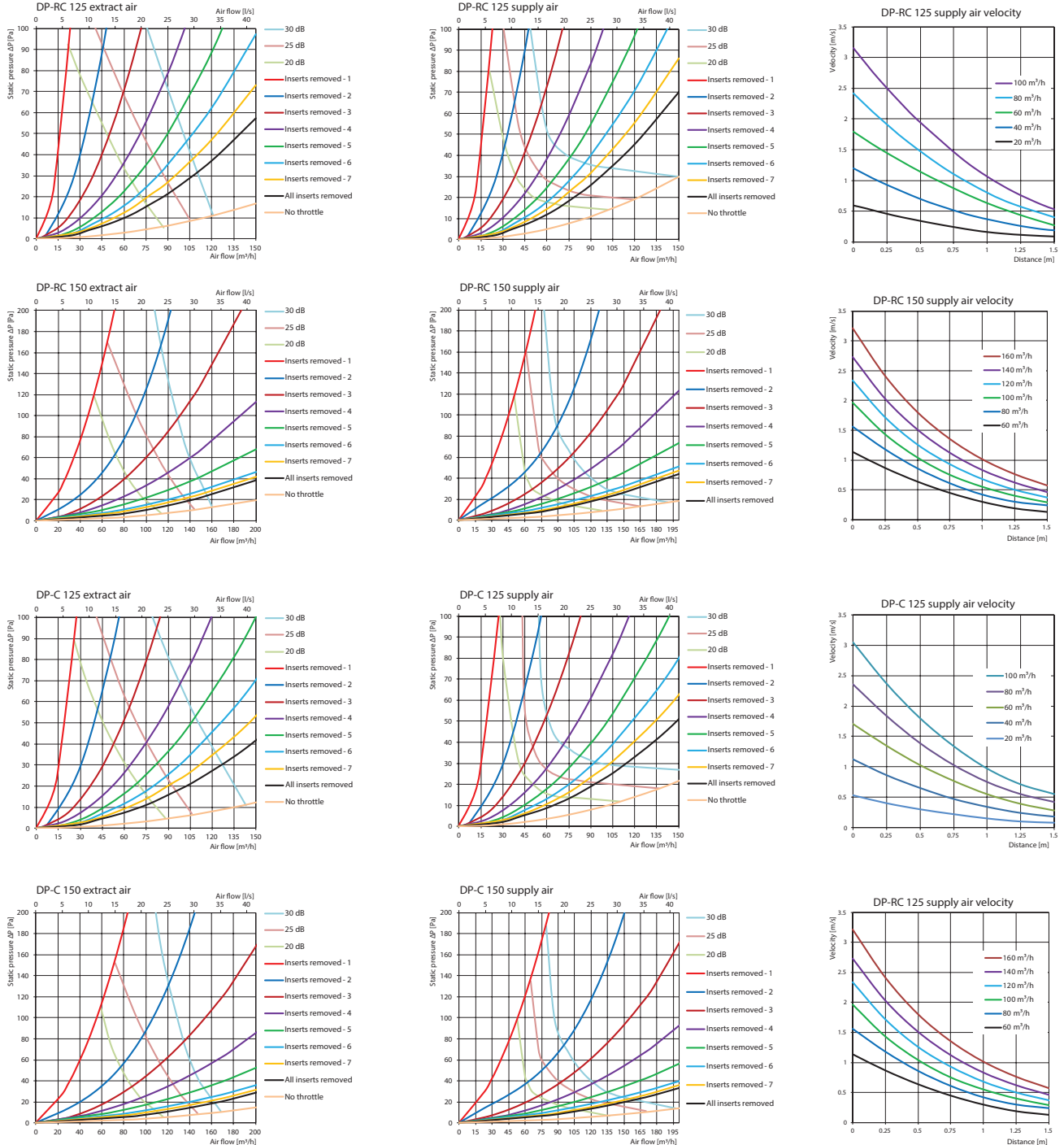
Model	Dimensions [mm]								
	D	D1	D2	L	L1	L2	H	H1	B
DP-RC 125	125	250	234	323	-	-	108	59	80
DP-RC 125 MF	124	250	234	323	-	-	99	50	80
DP-RC 150	150	300	241	374	-	-	117	59	80
DP-RC 150 MF	149	300	241	374	-	-	108	50	80
DP-RC 160 MF	157	300	241	374	-	-	108	50	80
DP-C 125	125	-	-	329	250	208	108	59	80
DP-C 125 MF	124	-	-	329	250	208	99	50	80
DP-C 150	150	-	-	379	300	255	118	59	80
DP-C 150 MF	149	-	-	379	300	255	108	50	80
DP-C 160 MF	157	-	-	379	300	255	108	50	80



DP-RC

DP-C

Aerodynamic data



The brochure information is for reference only.

VENTS reserves the rights to modify any of its products' features, designs, components and specifications at any time and without notice to maintain the development and quality of manufactured goods.