

Mounting frame

The KPD/KPDU smoke exhaust dampers can be additionally equipped with a mounting frame.

The mounting frame eases the installation of the damper in the wall opening, creating additional rigidity and preventing deformation of the damper during installation.

The damper is attached directly to the flange of the mounting frame by means of self-tapping screws.

Designation key

RM KPD/KPDU X mounting frame

Effective damper cross-section:

BxH (B – width [mm]; H – height [mm])

Damper flow area width [mm]

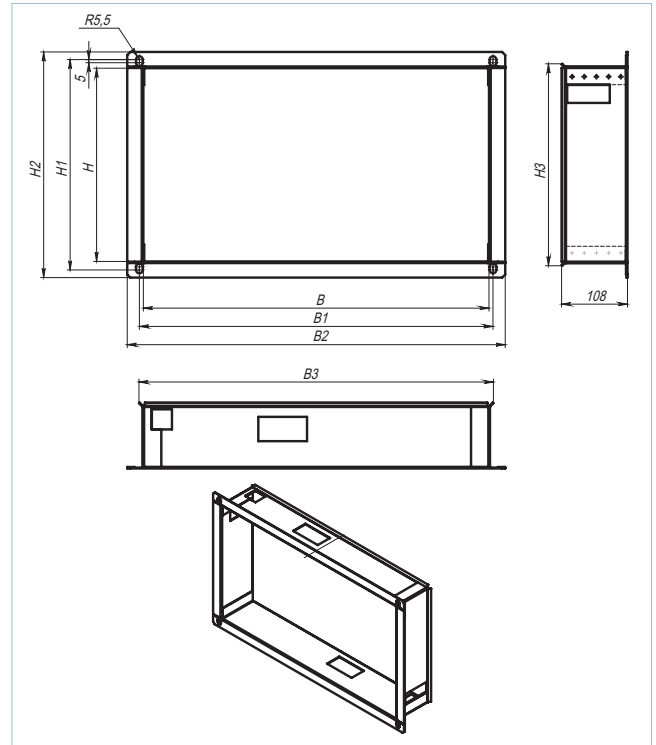
550; 600; 650; 700; 750; 800; 850; 900; 950; 1000

Damper flow area height [mm]

300; 350; 400; 450; 500; 550; 600; 650; 700; 750; 800; 850; 900; 950; 1000

Overall dimensions

Name	B [mm]	B1 [mm]	B2 [mm]	B3 [mm]	H [mm]	H1 [mm]	H2 [mm]	H3 [mm]	Weight [kg]
RM 550x300	567	580	620	580.6					2.97
RM 600x300	617	630	670	630.6					3.13
RM 650x300	667	680	720	680.6					3.29
RM 700x300	717	730	770	730.6					3.45
RM 750x300	767	780	820	780.6	317	345	370	330.6	3.61
RM 800x300	817	830	870	830.6					3.77
RM 850x300	867	880	920	880.6					3.93
RM 900x300	917	930	970	930.6					4.09
RM 950x300	967	980	1020	980.6					4.25
RM 1000x300	1017	1030	1070	1030.6					4.41
RM 550x350	567	580	620	580.6					3.13
RM 600x350	617	630	670	630.6					3.29
RM 650x350	667	680	720	680.6					3.45
RM 700x350	717	730	770	730.6					3.61
RM 750x350	767	780	820	780.6	367	395	420	380.6	3.77
RM 800x350	817	830	870	830.6					3.93
RM 850x350	867	880	920	880.6					4.09
RM 900x350	917	930	970	930.6					4.25
RM 950x350	967	980	1020	980.6					4.41
RM 1000x350	1017	1030	1070	1030.6					4.57
RM 550x400	567	580	620	580.6					3.29
RM 600x400	617	630	670	630.6					3.45
RM 650x400	667	680	720	680.6					3.61
RM 700x400	717	730	770	730.6					3.77
RM 750x400	767	780	820	780.6					3.93
RM 800x400	817	830	870	830.6	417	445	470	430.6	4.09
RM 850x400	867	880	920	880.6					4.25
RM 900x400	917	930	970	930.6					4.41
RM 950x400	967	980	1020	980.6					4.57
RM 1000x400	1017	1030	1070	1030.6					4.73
RM 550x450	567	580	620	580.6					3.45
RM 600x450	617	630	670	630.6					3.61
RM 650x450	667	680	720	680.6					3.77
RM 700x450	717	730	770	730.6					3.93
RM 750x450	767	780	820	780.6					4.09
RM 800x450	817	830	870	830.6	467	495	520	480.6	4.25
RM 850x450	867	880	920	880.6					4.41
RM 900x450	917	930	970	930.6					4.57
RM 950x450	967	980	1020	980.6					4.73
RM 1000x450	1017	1030	1070	1030.6					4.89



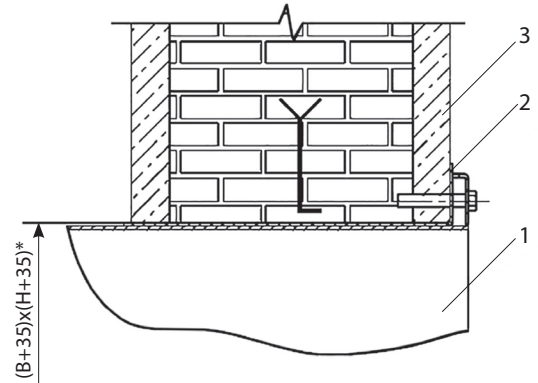
Overall dimensions

Name	B [mm]	B1 [mm]	B2 [mm]	B3 [mm]	H [mm]	H1 [mm]	H2 [mm]	H3 [mm]	Weight [kg]
RM 550x500	567	580	620	580.6					3.61
RM 600x500	617	630	670	630.6					3.77
RM 650x500	667	680	720	680.6					3.93
RM 700x500	717	730	770	730.6					4.09
RM 750x500	767	780	820	780.6					4.25
RM 800x500	817	830	870	830.6	517	545	570	530.6	4.41
RM 850x500	867	880	920	880.6					4.57
RM 900x500	917	930	970	930.6					4.73
RM 950x500	967	980	1020	980.6					4.89
RM 1000x500	1017	1030	1070	1030.6					5.05
RM 550x550	567	580	620	580.6					3.77
RM 600x550	617	630	670	630.6					3.93
RM 650x550	667	680	720	680.6					4.09
RM 700x550	717	730	770	730.6					4.25
RM 750x550	767	780	820	780.6					4.41
RM 800x550	817	830	870	830.6	567	595	620	580.6	4.57
RM 850x550	867	880	920	880.6					4.73
RM 900x550	917	930	970	930.6					4.89
RM 950x550	967	980	1020	980.6					5.05
RM 1000x550	1017	1030	1070	1030.6					5.21
RM 600x600	617	630	670	630.6					4.09
RM 650x600	667	680	720	680.6					4.25
RM 700x600	717	730	770	730.6					4.41
RM 750x600	767	780	820	780.6					4.57
RM 800x600	817	830	870	830.6	617	645	670	630.6	4.73
RM 850x600	867	880	920	880.6					4.89
RM 900x600	917	930	970	930.6					5.05
RM 950x600	967	980	1020	980.6					5.21
RM 1000x600	1017	1030	1070	1030.6					5.37
RM 650x650	667	680	720	680.6					4.41
RM 700x650	717	730	770	730.6					4.57
RM 750x650	767	780	820	780.6					4.73
RM 800x650	817	830	870	830.6	667	695	720	680.6	4.89
RM 850x650	867	880	920	880.6					5.05
RM 900x650	917	930	970	930.6					5.21
RM 950x650	967	980	1020	980.6					5.37
RM 1000x650	1017	1030	1070	1030.6					5.53
RM 700x700	717	730	770	730.6					4.73
RM 750x700	767	780	820	780.6					4.89
RM 800x700	817	830	870	830.6					5.05
RM 850x700	867	880	920	980.6	717	745	770	730.6	5.21
RM 900x700	917	930	970	930.6					5.37
RM 950x700	967	980	1020	980.6					5.53
RM 1000x700	1017	1030	1070	1030.6					5.69
RM 750x750	767	780	820	780.6					5.05
RM 800x750	817	830	870	830.6					5.21
RM 850x750	867	880	920	980.6	767	795	820	780.6	5.37
RM 900x750	917	930	970	930.6					5.53
RM 950x750	967	980	1020	980.6					5.69
RM 1000x750	1017	1030	1070	1030.6					5.85
RM 800x800	817	830	870	830.6					5.37
RM 850x800	867	880	920	880.6					5.53
RM 900x800	917	930	970	930.6	817	845	870	830.6	5.69
RM 950x800	967	980	1020	980.6					5.85
RM 1000x800	1017	1030	1070	1030.6					6.01
RM 850x850	867	880	920	880.6					5.69
RM 900x850	917	930	970	930.6	867	895	920	880.6	5.85
RM 950x850	967	980	1020	980.6					6.01
RM 1000x850	1017	1030	1070	1030.6					6.17
RM 900x900	917	930	970	930.6					6.01
RM 950x900	967	980	1020	980.6	917	945	970	930.6	6.17
RM 1000x900	1017	1030	1070	1030.6					6.33
RM 950x950	967	980	1020	980.6					6.33
RM 1000x950	1017	1030	1070	1030.6	967	995	1020	980.6	6.49
RM 1000x1000	1017	1030	1070	1030.6	1017	1045	1070	1030.6	6.65

Note: RM frames not indicated in the table can be produced on request.

Frame mounting methods

Sealing of the damper with an RM KPD/KPDU mounting frame in the wall opening



- 1 – damper
- 2 – mounting frame
- 3 – wall overlap, where B [mm] H [mm] – working section of the damper
- *dimensions of the wall opening for the frame