

## BACKDRAUGHT DAMPER KOM ... U SERIES



### INSTALLATION GUIDE

#### APPLICATION

- Shutoff of the air flow in the round air ducts and prevention of the air backdraft during standstill of the ventilation equipment.
- The air blades are opened with the air pressure and are closed with a spring.

#### DESIGN

- The damper housing is made of galvanized steel.
- The foam rubber sealing on the damper reduces operation noise and provides extra air tightness.
- The two the spring-loaded blades are made of aluminium sheet.

#### INSTALLATION

##### TOOLS REQUIRED



Phillips screwdriver



Clamp



Aluminium tape

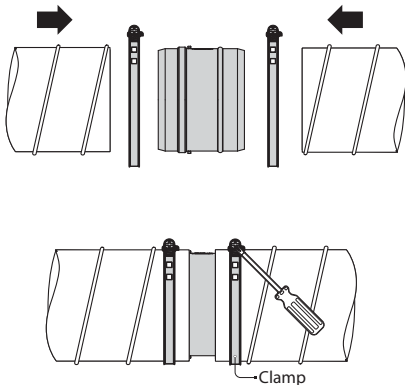
##### DAMPER POSITIONING IN THE AIR DUCT

Swivel axis of the blade must be positioned vertically.

The air damper must be installed in the ventilation system considering the air flow direction.

##### MOUNTING WITH CLAMPS

Connect the air damper with flexible air ducts and fix the air ducts to the damper using the clamps.



##### MOUNTING WITH A MOUNTING TAPE

Connect the air damper with air ducts and fix the connection place using a mounting tape.

