

Series
VENTS VUE 100 P mini



A3 speed switch

Series
VENTS VUT 100 P mini



A3 speed switch

VUE 100 P mini unit can be installed behind suspended ceiling. The unit is designed for connection to Ø 125 mm round air ducts. Several rooms may be ventilated if they are connected with air distribution network. Air flow regulation with A3 (P3-1-300) speed switch.

■ **Casing**

The casing is made of corrosion-resistant aluzink and sound-insulated with 15 mm cellular polyethylene layer. For easy mounting the casing is fitted with mounting brackets.

The detachable panel is swivel connected to the unit to provide fast and easy access to the casing internal components for servicing and maintenance. The unit is equipped with two backdraft dampers, one in the supply and the other in the exhaust air duct.

■ **Filter**

Supply and extract air flows are purified through two filters with filtering class G4. The filters prevent dirt and dust ingress into the room and protect the unit components against contaminations.

■ **Fans**

The unit is equipped with reliable supply and exhaust fans with forward curved blades that are powered by motors with low energy demand. The motor has maintenance-free ball bearings that ensure long service life about 40 000 hrs and are greased for the operation period.

Air handling units with heat recovery in the compact sound- and heat-insulated casing. Air capacity up to **106 m³/h**. Heat recovery efficiency from 64 up to 76%.

■ **Description**

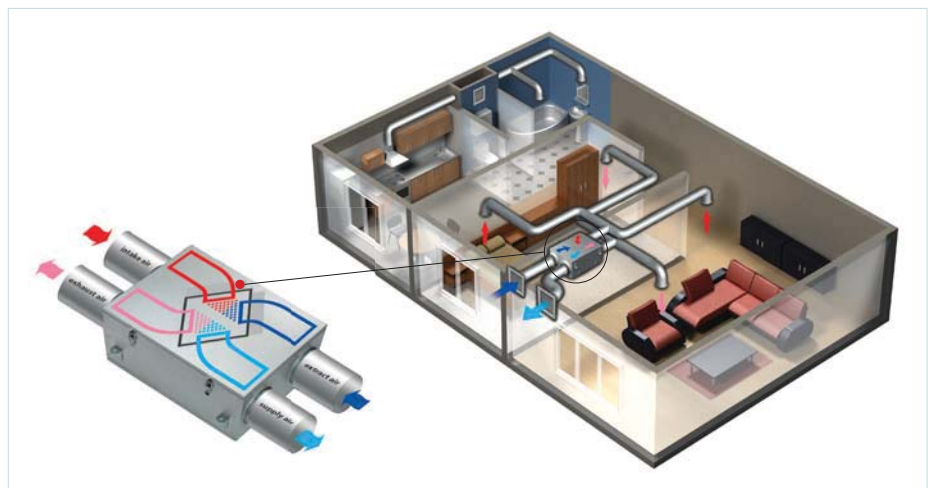
Compact air supply and exhaust ventilation unit VUE 100 P mini is a simple and effective energy-saving solution ventilation of apartments, cottages, single-family houses, workshops and trade premises. The unit is a fully-featured ventilation unit that provides air cleaning, fresh air supply to the premise

and removal of extract air from the premise. Extract air thermal energy is transferred to the cross-flow heat exchanger and is used to warm up the supply air flow. Built-in heat exchanger prevents heat losses and saves operating costs for heating in winter and air conditioning in summer.

Due to the compact casing and silent operation the

■ **Operating logic**

- Warm extract air is moved by exhaust fan from the premise through the extract filter and heat exchanger, where it transfers thermal energy to its elements and then is exhausted outside.
- Cold intake air from outside is moved by the supply fan first to the supply filter where it is purified, then to the heat exchanger where it absorbs thermal energy from extract air and then supplied to the room.
- The heat exchanger reduces heat losses and saves operating costs for heating in winter and air conditioning in summer.



Designation key:

Series	Rated air capacity [m ³ /h]	Mounting type	Type
VENTS VUE VENTS VUT	100	P – suspended	mini

Accessories



page 378

page 378

page 442

page 446

page 455

Heat exchanger VENTS VUE 100 P mini

Cross-flow polymerized cellulose enthalpy heat exchanger with heat recovery efficiency from 64% up to 72% enables not only heat but humidity recovery and provides indoor humidity balance. In summer season the heat exchanger serves for intake air cooling down and drying and in winter season for warming up and moisturizing. Water vapour is extracted from wet extract air and is absorbed by the heat exchanging plates. Absorbed heat and moisture are transferred to supply air flow. Supply and extract air flows are fully separated and no microbes and germs are transferred to supply air flow.

Heat exchanger VENTS VUT 100 P mini

The unit is equipped with a high-efficient cross-flow plastic heat exchanger and a drain pan for condensate drainage.

Control

Air capacity (speed) is regulated with A3 (P3-1-300) speed switch.

Low speed – 57 m³/h, 24 dBA

Medium speed – 78 m³/h, 32 dBA

Maximum speed – 106 m³/h, 41 dBA

The external speed switch is comfortable to use at any place.

Heat exchanger protection

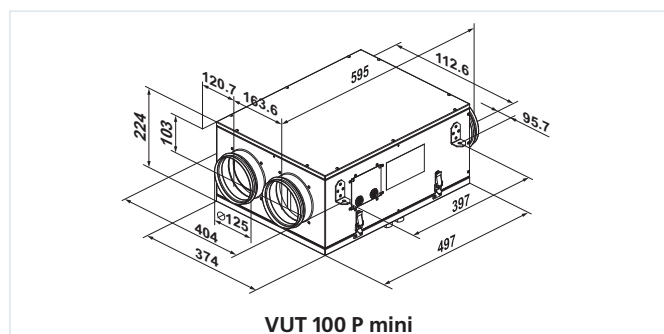
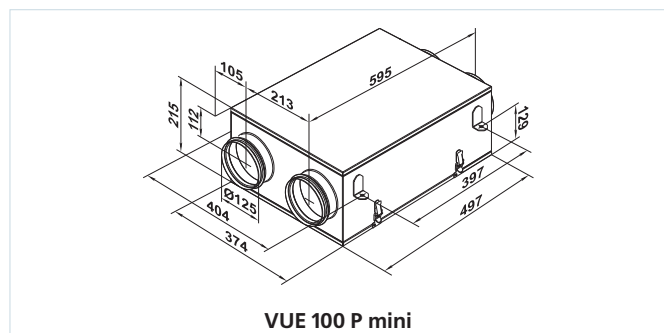
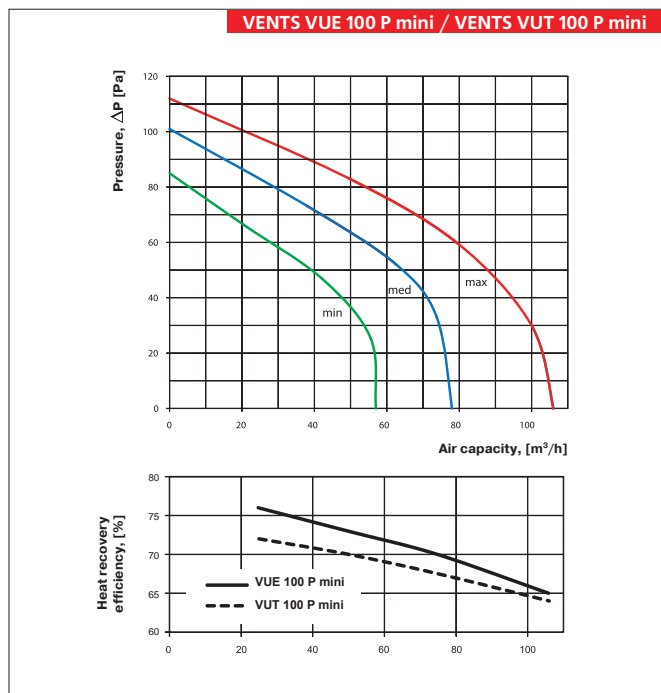
For freeze protection at low temperatures the unit is equipped with a thermostat inside the casing that switches the supply fan off in case of freezing danger to let extract air warm up the heat exchanger.

Mounting

Due to the compact casing height the unit is designed for horizontal indoor installation behind suspended ceilings and connection to Ø 125 mm round air ducts.

Technical data:

	VUE 100 P mini			VUT 100 P mini		
	min.	med.	max.	min.	med.	max.
Speed						
Voltage [V / Hz]	1~ 220-240 / 50			1~ 220-240 / 50		
Unit power [W]	30	38	56	30	38	56
Unit current [A]	0.18	0.23	0.34	0.18	0.23	0.34
Air capacity [m ³ /h]	57	78	106	57	78	106
RPM	1300	1950	2500	1300	1950	2500
Noise level at 3m [dBA]	24	32	41	24	32	41
Transported air temperature [°C]	-25 up to +50					
Casing material	aluzinc					
Insulation	15 mm cellular polyethylene					
Filter: extract / supply	G4 / G4					
Connected air duct diameter [mm]	Ø 125					
Weight [kg]	10			13		
Heat recovery efficiency	from 64 up to 72%			from 65 up to 76%		
Heat exchanger type	cross-flow					
Heat exchanger material	polymerized cellulose			plastic		
SEC Class	D					



VENTS VUE 100 P MINI
 VENTS VUT 100 P MINI
 AIR HANDLING UNIT WITH HEAT RECOVERY SERIES