

A...PR Series



■ Application

- For supply ventilation, air conditioning and heating.
- Designed for wall mounting or installation into false ceiling.
- Used to arrange correct air supply and circulation in premises.

■ Design

- Made of high quality plastic (ABS plastic or polystyrene).
- Special aerodynamic disk valve design ensures uniform air distribution.
- Smooth air pass regulation due to rotation of central part of the damper.
- Easy mounting with fixing lugs.
- The internal part has a sealing ring for more tight fit.

■ Grille modifications

A 150 PR - basic modification



- Equipped with fixing lugs for easy connection with \varnothing 150 mm round air ducts.
- Modification may include **F 150** flange (available upon separate order).



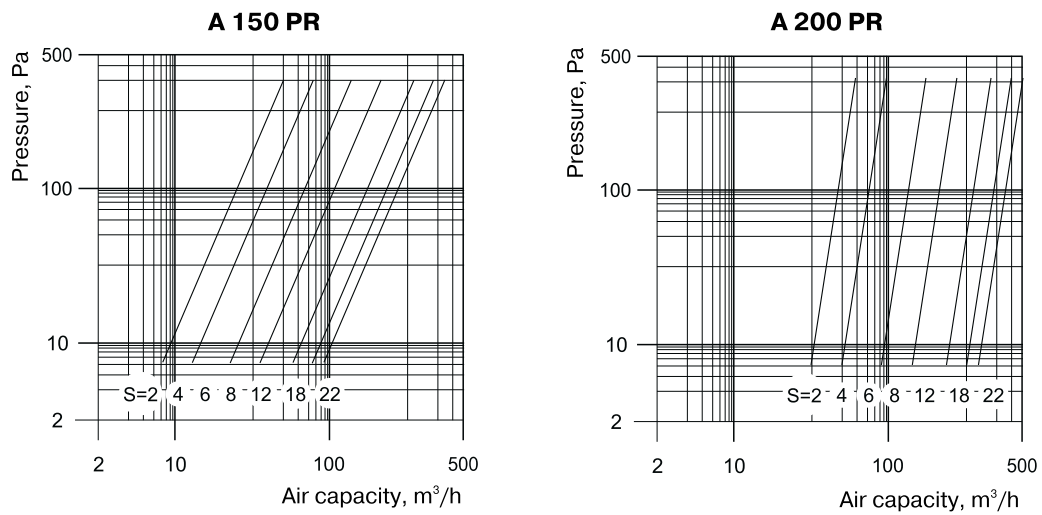
A 200 PR - two-element models



- Equipped with fixing lugs for easy connection with \varnothing 200 mm round air ducts.
- Two regulating elements for more perfect air flow distribution.
- Modification may include **F 200** flange (available upon separate order).



■ Technical parameters



The internal part of the air disk valve is pulled out to ensure the required clearance S (mm) to provide required air flow according to the diagram.

■ Overall dimensions

Model	Dimensions, mm							Air pass, m ²	Damper normal pitch, mm	Fig. no.
	D	D1	D2	D3	H max	H1	H2			
A 150 PR	150	125	155	200	80,5	50	30	0...0,011	0...21	1
A 200 PR	200	177,6	155	246	80,5	53	33	0...0,012	0...21	2

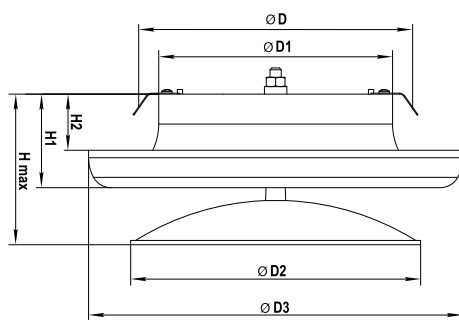


Fig. 1

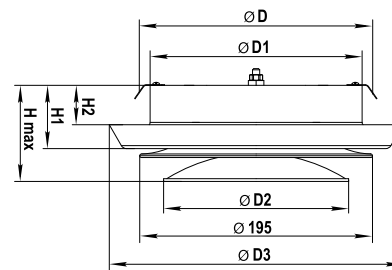


Fig. 2