

MVMPO...R Series



Application

- Decoration of exhaust vents of public, residential and industrial ventilation systems.
- For ventilation, air conditioning and heating.
- Used for correct air flow distribution in premises.
- Internal or external wall and ceiling mounting.

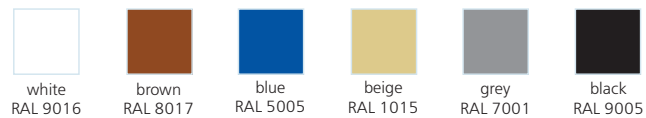
Design

- Made of steel or aluminium and are suitable for colourful polymer painting.
- Quality materials and zinc-phosphate treatment ensure coating integrity and provide reliable corrosion protection.
- Edge-raised grille design.
- Equipped with a movable flap for air flow regulation.
- Screw fixing.

Modifications

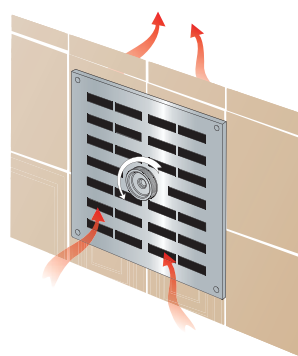
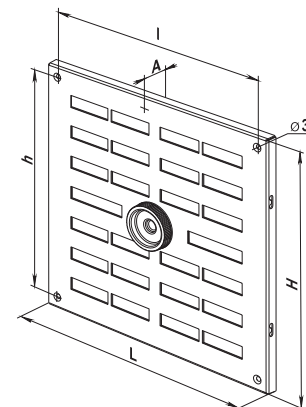
- **MVMPO ... R** – basic steel models with white polymer coating.
- **MVMPO...R A** – aluminium grille models with white polymer coating.
- **MVMPO...R A (no/p)** – aluminium grille models.
- **MVMPO ...R «colour code»** – colourful polymer painted models.

Colour modifications

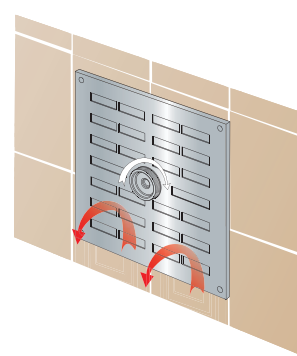


Overall dimensions

Model	Dimensions, [mm]					Air pass, [m ²]
	L	H	l	h	A	
MVMPO 155 R	155	155	132	132	9	0,0047
MVMPO 150x200 R	150	200	132	182	9	0,0067
MVMPO 160 R	160	160	137	137	9	0,0051
MVMPO 200x150 R	200	150	182	132	9	0,0061
MVMPO 200 R	200	200	182	182	9	0,0099
MVMPO 200x250 R	200	250	182	232	9	0,0135
MVMPO 200x300 R	200	300	182	282	9	0,0162
MVMPO 250x200 R	250	200	232	182	9	0,0108
MVMPO 250x300 R	250	300	232	282	9	0,0171
MVMPO 300x200 R	300	200	282	182	9	0,0172
MVMPO 300x250 R	300	250	282	232	9	0,0204



open



closed