

A22



A22 WiFi



Application

The A22/A22 WiFi control panels are used for control of industrial and domestic air handling units with an A21 automation system.

Technical data

Wired A22 control panel (connected to the unit with a cable)

| | A22 |
|------------------------|--|
| Voltage [V] | 24 |
| Maximum current [A] | 0.025 |
| Cable type | 4x0.25 mm ² |
| Temperature range [°C] | from +10 up to +45 |
| Humidity range [%] | from 10 % up to 80 % (no condensation) |
| SEC class | IP40 |

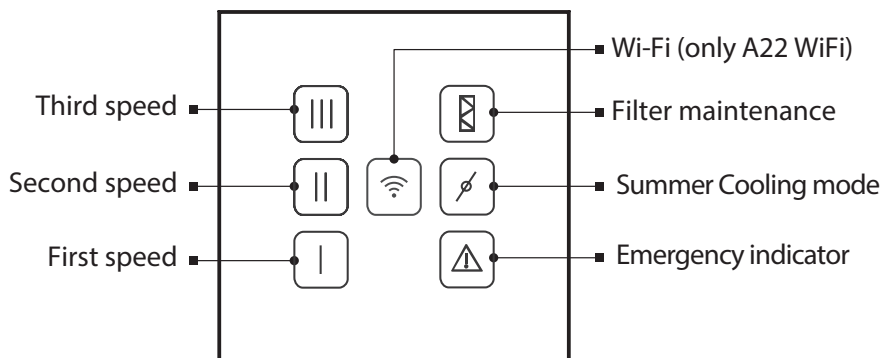
Wireless A22 WiFi control panel (connected to the unit via Wi-Fi)

| | A22 WiFi |
|--------------------------------|--|
| Supply voltage, 50 (60) Hz [V] | 110-230 |
| Maximum current [A] | 0.012 |
| Cable type | 2x0.35 mm ² |
| Temperature range [°C] | from +10 up to +45 |
| Humidity range [%] | from 10 % up to 80 % (no condensation) |
| Casing material | Plastic |
| Sensor surface material | Glass |
| SEC class | IP40 |
| Weight [g] | 190 |

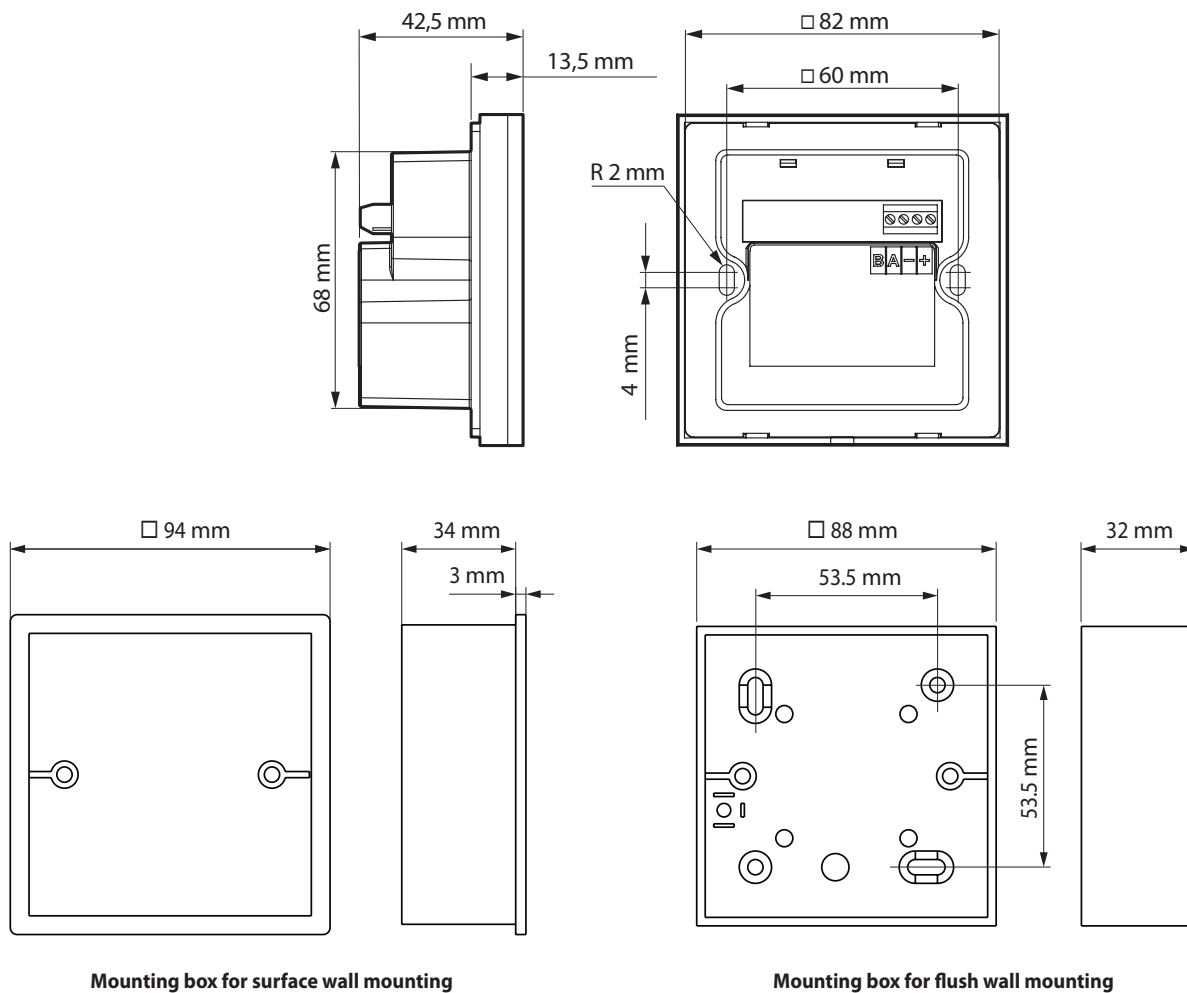
Wi-Fi data

| | |
|-------------------------------|-------------------|
| Standard | IEEE 802.11 b/g/n |
| Frequency band [GHz 2.4] | 2.4 |
| Transmission power [mW] (dBm) | 100 (+20) |
| Network | DHCP |
| WLAN safety | WPA, WPA2 |

Control panel functions



■ Overall dimensions



■ Installation and connection

The A22/A22 WiFi control panels are suitable for wall flush and wall surface mounting.

Mounting boxes for wall surface mounting and wall flush mounting are included in the delivery set.

Connection of the control panel is carried out according to the User's manual of the unit.