

A22



A22 WiFi



■ **Application**

The A22/A22 WiFi control panels are used for control of industrial and domestic air handling units with an A21 automation system.

■ **Technical data**

Wired A22 control panel (connected to the unit with a cable)

	A22
Voltage [V]	24
Maximum current [A]	0.025
Cable type	4x0.25 mm ²
Temperature range [°C]	from +10 up to +45
Humidity range [%]	from 10 % up to 80 % (no condensation)
SEC class	IP40

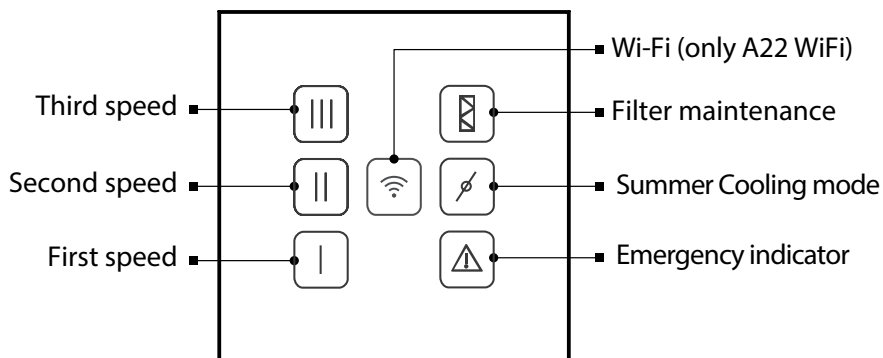
Wireless A22 WiFi control panel (connected to the unit via Wi-Fi)

	A22 WiFi
Supply voltage, 50 (60) Hz [V]	110-230
Maximum current [A]	0.012
Cable type	2x0.35 mm ²
Temperature range [°C]	from +10 up to +45
Humidity range [%]	from 10 % up to 80 % (no condensation)
Casing material	Plastic
Sensor surface material	Glass
SEC class	IP40
Weight [g]	190

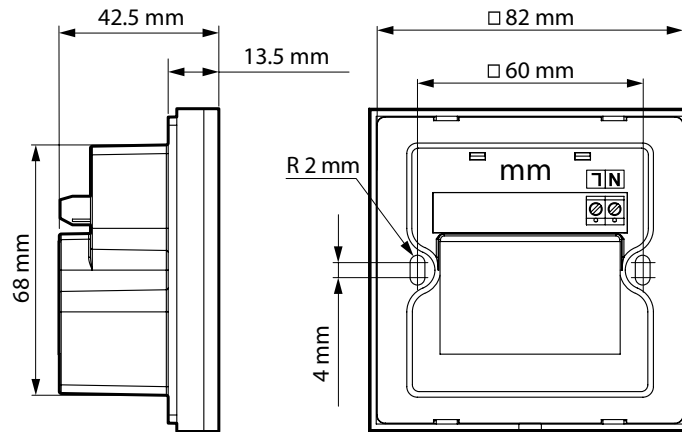
Wi-Fi data

Standard	IEEE 802.11 b/g/n
Frequency band [GHz 2.4]	2.4
Transmission power [mW] (dBm)	100 (+20)
Network	DHCP
WLAN safety	WPA, WPA2

■ **Control panel functions**



■ Overall dimensions



■ Installation and connection

The A22/A22 WiFi control panels are suitable for wall flush and wall surface mounting.

Connection of the control panel is carried out according to the User's manual of the unit.