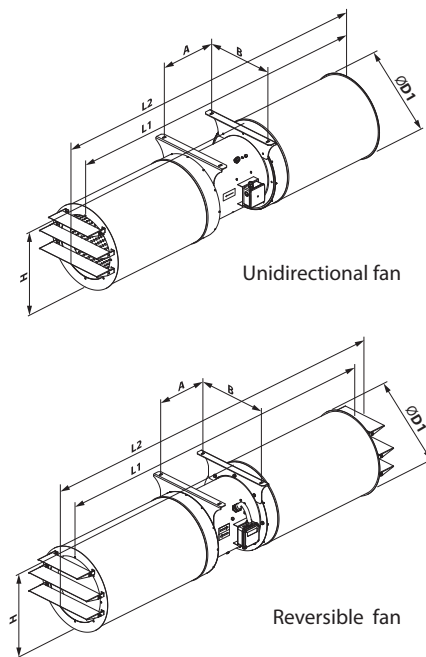


JAF series

Unidirectional single- and double-speed reversible fans



Axial jet fans with fire resistance 200 °C/2 hrs, 300 °C/2 hrs, 400 °C/2 hrs for ventilation of covered parkings. Functionality. Power. Efficiency.



Application

JAF jet axial fans are designed for general purpose ventilation of underground and semiopened parkings, ventilation of tunnels, smoke extraction in case of fire as a part of smoke extract system. The fans generate a high-speed and high-pressure directed air jet.

Modifications

- Unidirectional single-speed type (U)
- Unidirectional double-speed type (U)
- Reversible single-speed (R)
- Reversible double-speed (R)

Design

JAF casing has a tubular shape and is made of polymer coated steel. The fan has a sound insulation of mineral wool. The casing includes inner brackets for motor fixation. These brackets act as directing vanes and distribute air flow uniformly, thus increasing aerodynamic performances of the fan.

Motor

Three-phase asynchronous short-circuit rotor motor in the fan casing.

Motor ingress protection rating is IP55.

The motor design ensures operation of the fan in the smoke extract systems on unidirectional and reverse modes.

Impeller

Dynamically balanced impeller made of cast aluminium alloy. The reversible fans are equipped with 100 % reversible two-directional impeller.

Mounting

JAF fans are designed for horizontal ceiling mounting and fixation by means of the supplied fixing brackets attached to the fan casing.

Model	Dimensions [mm]					
	ØD1	A	B	H	L1	L2
Unidirectional						
JAF-KI-315-U	414	302	355	425	1654	1763
JAF-KI-355-U	467	302	420	482	1954	2079
JAF-KI-400-U	515	351	460	525	2004	2129
JAF-KI-450-U	565	351	500	575	2004	2129
JAF-KI-500-U	603	371	580	620	2004	2145
JAF-KI-560-U	663	446	620	678	2093	2247
JAF-KI-630-U	733	550	710	748	2193	2357
Reversible						
JAF-KI-315-R	414	302	355	450	1654	1872
JAF-KI-355-R	467	302	420	510	1954	2202
JAF-KI-400-R	515	351	460	551	2004	2253
JAF-KI-450-R	565	351	500	594	2004	2253
JAF-KI-500-R	603	371	580	632	2004	2290
JAF-KI-560-R	663	446	620	678	2093	2357
JAF-KI-630-R	733	550	710	748	2193	2520

Model	Casing type	Casing insulation	Diameter [mm]	High-powered motor	Pole number	Air flow	Climatic category	Fire resistance limit/hrs
JAF (jet axial fan)	K: round	no symbol means no sound insulation I: sound-insulated casing	315 355 400 450 500 560 630	no symbol means the only available standard size M, S: model with a high-power motor	2 2/4 (applicable for double-speed motors)	U: uni-directional R: reversible	U: moderate climate (-40...+40 °C) HL: cold climate (-60...+40 °C) UHL: moderate and cold climate (-60...+40 °C) T: tropical climate (-10...+50 °C) M: maritime moderately cold climate (-40...+40 °C) O: general climatic modification (except maritime climate) (-60...+50 °C) OM: general maritime climatic modification (-40...+40 °C) V: universal climatic modification (-60...+50 °C)	no number: max. +55 °C 200/2: 200 °C/2 hrs. 300/2: 300 °C/2 hrs. 400/2: 400 °C/2 hrs.

■ Technical data

Ø [mm]	Air flow direction	Number of speeds	Model	Unit voltage [V]	Frequency [Hz]	Power [kW]	Max. air capacity [m³/h]	Fan pull [N]	Air speed [m/s]	RPM	Operating temperature [°C]	Fire resistance
315	Uni-directional	1	JAF-KI-315-2-U-...	3~400	50	0.55	4000	22	14.3	2880	-25 – +55 °C	55 °C
			JAF-KI-315-2-U-...-200/2								200 °C/2 h	F200
			JAF-KI-315-2-U-...-300/2								300 °C/2 h	F300
			JAF-KI-315-2-U-...-400/2								400 °C/2 h	F400
		2	JAF-KI-315M-2-U-...	3~400	50	0.75	4800	30	17.2	2880	-25 – +55 °C	55 °C
			JAF-KI-315M-2-U-...-200/2								200 °C/2 h	F200
			JAF-KI-315M-2-U-...-300/2								300 °C/2 h	F300
			JAF-KI-315M-2-U-...-400/2								400 °C/2 h	F400
	Reversible	1	JAF-KI-315-2/4-U-...	3~400	50	0.55 / 0.11	4000 / 2000	22 / 5.6	14.3 / 7.1	2880 / 1440	-25 – +55 °C	55 °C
			JAF-KI-315-2/4-U-...-200/2								200 °C/2 h	F200
			JAF-KI-315-2/4-U-...-300/2								300 °C/2 h	F300
			JAF-KI-315-2/4-U-...-400/2								400 °C/2 h	F400
		2	JAF-KI-315M-2/4-U-...	3~400	50	0.8 / 0.2	4800 / 2400	30 / 7.6	17.2 / 8.6	2880 / 1440	-25 – +55 °C	55 °C
			JAF-KI-315M-2/4-U-...-200/2								200 °C/2 h	F200
			JAF-KI-315M-2/4-U-...-300/2								300 °C/2 h	F300
			JAF-KI-315M-2/4-U-...-400/2								400 °C/2 h	F400
Reversible	1	JAF-KI-315-2-R-...	3~400	50	0.55	4000	22	14.3	2880	-25 – +55 °C	55 °C	
		JAF-KI-315-2-R-...-200/2								200 °C/2 h	F200	
		JAF-KI-315-2-R-...-300/2								300 °C/2 h	F300	
		JAF-KI-315-2-R-...-400/2								400 °C/2 h	F400	
	2	JAF-KI-315-2/4-R-...	3~400	50	0.55 / 0.11	4000 / 2000	22 / 5.5	14.3 / 7.1	2880 / 1440	-25 – +55 °C	55 °C	
		JAF-KI-315-2/4-R-...-200/2								200 °C/2 h	F200	
		JAF-KI-315-2/4-R-...-300/2								300 °C/2 h	F300	
		JAF-KI-315-2/4-R-...-400/2								400 °C/2 h	F400	
* Smoke extraction mode: once for two hours												
355	Uni-directional	1	JAF-KI-355-2-U-...	3~400	50	0.75	5900	36	16.6	2880	-25 – +55 °C	55 °C
			JAF-KI-355-2-U-...-200/2								200 °C/2 h	F200
			JAF-KI-355-2-U-...-300/2								300 °C/2 h	F300
			JAF-KI-355-2-U-...-400/2								400 °C/2 h	F400
		2	JAF-KI-355M-2-U-...	3~400	50	1.1	6900	48	19.4	2880	-25 – +55 °C	55 °C
			JAF-KI-355M-2-U-...-200/2								200 °C/2 h	F200
			JAF-KI-355M-2-U-...-300/2								300 °C/2 h	F300
			JAF-KI-355M-2-U-...-400/2								400 °C/2 h	F400
	Reversible	1	JAF-KI-355-2/4-U-...	3~400	50	0.8 / 0.2	5900 / 2900	36 / 9	16.6 / 8.2	2880 / 1440	-25 – +55 °C	55 °C
			JAF-KI-355-2/4-U-...-200/2								200 °C/2 h	F200
			JAF-KI-355-2/4-U-...-300/2								300 °C/2 h	F300
			JAF-KI-355-2/4-U-...-400/2								400 °C/2 h	F400
		2	JAF-KI-355M-2/4-U-...	3~400	50	1.1 / 0.25	6900 / 3400	48 / 12	19.5 / 9.6	2880 / 1440	-25 – +55 °C	55 °C
			JAF-KI-355M-2/4-U-...-200/2								200 °C/2 h	F200
			JAF-KI-355M-2/4-U-...-300/2								300 °C/2 h	F300
			JAF-KI-355M-2/4-U-...-400/2								400 °C/2 h	F400
Reversible	1	JAF-KI-355-2-R-...	3~400	50	1.1	5900	35	16.6	2880	-25 – +55 °C	55 °C	
		JAF-KI-355-2-R-...-200/2								200 °C/2 h	F200	
		JAF-KI-355-2-R-...-300/2								300 °C/2 h	F300	
		JAF-KI-355-2-R-...-400/2								400 °C/2 h	F400	
	2	JAF-KI-355-2/4-R-...	3~400	50	1.1 / 0.25	5900 / 2900	35 / 9	16.6 / 8.2	2880 / 1440	-25 – +55 °C	55 °C	
		JAF-KI-355-2/4-R-...-200/2								200 °C/2 h	F200	
		JAF-KI-355-2/4-R-...-300/2								300 °C/2 h	F300	
		JAF-KI-355-2/4-R-...-400/2								400 °C/2 h	F400	
* Smoke extraction mode: once for two hours												
400	Uni-directional	1	JAF-KI-400-2-U-...	3~400	50	1.1	8500	57	18.8	2880	-25 – +55 °C	55 °C
			JAF-KI-400-2-U-...-200/2								200 °C/2 h	F200
			JAF-KI-400-2-U-...-300/2								300 °C/2 h	F300
			JAF-KI-400-2-U-...-400/2								400 °C/2 h	F400
		2	JAF-KI-400M-2-U-...	3~400	50	2.2	9900	77	21.9	2880	-25 – +55 °C	55 °C
			JAF-KI-400M-2-U-...-200/2								200 °C/2 h	F200
* Smoke extraction mode: once for two hours												
* Smoke extraction mode: once for two hours												
* Smoke extraction mode: once for two hours												

JET AXIAL FANS

Ø [mm]	Air flow direction	Number of speeds	Model	Unit voltage [V]	Frequency [Hz]	Power [kW]	Max. air capacity [m³/h]	Fan pull [N]	Air speed [m/s]	RPM	Operating temperature [°C]	Fire resistance							
400	Uni-directional	2	JAF-KI-400-2/4-U-...	3~400	50	1.1 / 0.25	8500 / 4200	57 / 14	18.8 / 9.3	2880 / 1440	-25 – +55 °C	55 °C							
			JAF-KI-400-2/4-U-...-200/2								200 °C/2 h	F200							
			JAF-KI-400-2/4-U-...-300/2								300 °C/2 h	F300							
			JAF-KI-400-2/4-U-...-400/2								400 °C/2 h	F400							
		JAF-KI-400M-2/4-U-...	3~400	50	2.2 / 0.5	9900 / 4900	77 / 19	21.9 / 10.9	2880 / 1440	-25 – +55 °C	55 °C								
		JAF-KI-400M-2/4-U-...-200/2								200 °C/2 h	F200								
		JAF-KI-400M-2/4-U-...-300/2								300 °C/2 h	F300								
		JAF-KI-400M-2/4-U-...-400/2								400 °C/2 h	F400								
	Reversible	1	3~400	50	1.5	8400	55	18.6	2880	-25 – +55 °C	55 °C								
										JAF-KI-400-2-R-...-200/2	200 °C/2 h	F200							
										JAF-KI-400-2-R-...-300/2	300 °C/2 h	F300							
										JAF-KI-400-2-R-...-400/2	400 °C/2 h	F400							
		2	3~400	50	1.5 / 0.37	8400 / 4200	55 / 13.9	18.6 / 9.3	2880 / 1440	-25 – +55 °C	55 °C								
										JAF-KI-400-2/4-R-...-200/2	200 °C/2 h	F200							
* Smoke extraction mode: once for two hours																			
450	Uni-directional	1	JAF-KI-450-2-U-...	3~400	50	1.5	10700	71	18.7	2880	-25 – +55 °C	55 °C							
			JAF-KI-450-2-U-...-200/2								200 °C/2 h	F200							
			JAF-KI-450-2-U-...-300/2								300 °C/2 h	F300							
			JAF-KI-450-2-U-...-450/2								400 °C/2 h	F400							
			JAF-KI-450M-2-U-...								3~400	50	2.2	11900	88	20.8	2880	-25 – +55 °C	55 °C
			JAF-KI-450M-2-U-...-200/2															200 °C/2 h	F200
			JAF-KI-450M-2-U-...-300/2															300 °C/2 h	F300
			JAF-KI-450M-2-U-...-400/2															400 °C/2 h	F400
		JAF-KI-450S-2-U-...	3~400	50	3	12800	106	22.4	2880	-25 – +55 °C	55 °C								
		JAF-KI-450S-2-U-...-200/2								200 °C/2 h	F200								
		JAF-KI-450S-2-U-...-300/2								300 °C/2 h	F300								
		JAF-KI-450S-2-U-...-400/2								400 °C/2 h	F400								
		Reversible	1	3~400	50	1.5	10100	63	17.6	2880	-25 – +55 °C	55 °C							
											JAF-KI-450-2-R-...-200/2	200 °C/2 h	F200						
											JAF-KI-450-2-R-...-300/2	300 °C/2 h	F300						
											JAF-KI-450-2-R-...-450/2	400 °C/2 h	F400						
	JAF-KI-450M-2-R-...			3~400	50	2.2	11500	82	20	2880	-25 – +55 °C	55 °C							
	JAF-KI-450M-2-R-...-200/2										200 °C/2 h	F200							
	JAF-KI-450M-2-R-...-300/2										300 °C/2 h	F300							
	JAF-KI-450M-2-R-...-400/2										400 °C/2 h	F400							
	JAF-KI-450S-2-R-...		3~400	50	3	12200	96	21.3	2880	-25 – +55 °C	55 °C								
	JAF-KI-450S-2-R-...-200/2									200 °C/2 h	F200								
	JAF-KI-450S-2-R-...-300/2									300 °C/2 h	F300								
	JAF-KI-450S-2-R-...-400/2									400 °C/2 h	F400								
	2		3~400	50	1.5 / 0.37	10100 / 5000	63 / 16	17.6 / 8.8	2880 / 1440	-25 – +55 °C	55 °C								
										JAF-KI-450-2/4-R-...-200/2	200 °C/2 h	F200							
										JAF-KI-450-2/4-R-...-300/2	300 °C/2 h	F300							
										JAF-KI-450-2/4-R-...-400/2	400 °C/2 h	F400							

Ø [mm]	Air flow direction	Number of speeds	Model	Unit voltage [V]	Frequency [Hz]	Power [kW]	Max. air capacity [m³/h]	Fan pull [N]	Air speed [m/s]	RPM	Operating temperature [°C]	Fire resistance
450	Reversible	2	JAF-KI-450M-2/4-R-...	3~400	50	2.2 / 0.5	11500 / 5700	82 / 20	20 / 10	2880 / 1440	-25 – +55 °C	55 °C
			JAF-KI-450M-2/4-R-...-200/2								200 °C/2 h	F200
			JAF-KI-450M-2/4-R-...-300/2								300 °C/2 h	F300
			JAF-KI-450M-2/4-R-...-400/2								400 °C/2 h	F400
		3~400	JAF-KI-450S-2/4-R-...	50	2.5 / 0.65	12200 / 6000	96 / 24	21.3 / 10.4	2880 / 1440	-25 – +55 °C	55 °C	
			JAF-KI-450S-2/4-R-...-200/2							200 °C/2 h	F200	
			JAF-KI-450S-2/4-R-...-300/2							300 °C/2 h	F300	
			JAF-KI-450S-2/4-R-...-400/2							400 °C/2 h	F400	
* Smoke extraction mode: once for two hours												
500	Uni-directional	2	JAF-KI-500-2/4-U-...	3~400	50	3.1 / 0.8	16600 / 8200	143 / 36	23.6 / 11.6	2880 / 1440	-25 – +55 °C	55 °C
			JAF-KI-500-2/4-U-...-200/2								200 °C/2 h	F200
			JAF-KI-500-2/4-U-...-300/2								300 °C/2 h	F300
			JAF-KI-500-2/4-U-...-400/2								400 °C/2 h	F400
		3~400	JAF-KI-500M-2/4-U-...	50	4.4 / 1.1	18800 / 9400	183 / 45	26.7 / 13.3	2880 / 1440	-25 – +55 °C	55 °C	
			JAF-KI-500M-2/4-U-...-200/2							200 °C/2 h	F200	
			JAF-KI-500M-2/4-U-...-300/2							300 °C/2 h	F300	
			JAF-KI-500M-2/4-U-...-400/2							400 °C/2 h	F400	
	Reversible	2	JAF-KI-500-2/4-R-...	3~400	50	2.5 / 0.65	14100 / 7000	103 / 25	20 / 10	2880 / 1440	-25 – +55 °C	55 °C
			JAF-KI-500-2/4-R-...-200/2								200 °C/2 h	F200
			JAF-KI-500-2/4-R-...-300/2								300 °C/2 h	F300
			JAF-KI-500-2/4-R-...-400/2								400 °C/2 h	F400
		3~400	JAF-KI-500M-2/4-R-...	50	4.4 / 1.1	16000 / 8000	132 / 33	22.7 / 11.3	2880 / 1440	-25 – +55 °C	55 °C	
			JAF-KI-500M-2/4-R-...-200/2							200 °C/2 h	F200	
			JAF-KI-500M-2/4-R-...-300/2							300 °C/2 h	F300	
			JAF-KI-500M-2/4-R-...-400/2							400 °C/2 h	F400	
* Smoke extraction mode: once for two hours												
560	Uni-directional	2	JAF-KI-560-2/4-U-...	3~400	50	4.4 / 1.1	21400 / 10600	185 / 46	24.2 / 12	2880 / 1440	-25 – +55 °C	55 °C
			JAF-KI-560-2/4-U-...-200/2								200 °C/2 h	F200
			JAF-KI-560-2/4-U-...-300/2								300 °C/2 h	F300
			JAF-KI-560-2/4-U-...-400/2								400 °C/2 h	F400
		3~400	JAF-KI-560M-2/4-U-...	50	8 / 2	24500 / 12200	245 / 61	27.6 / 13.8	2880 / 1440	-25 – +55 °C	55 °C	
			JAF-KI-560M-2/4-U-...-200/2							200 °C/2 h	F200	
			JAF-KI-560M-2/4-U-...-300/2							300 °C/2 h	F300	
			JAF-KI-560M-2/4-U-...-400/2							400 °C/2 h	F400	
	Reversible	2	JAF-KI-560-2/4-R-...	3~400	50	4.4 / 1.1	18200 / 9000	134 / 33	20.5 / 10.2	2880 / 1440	-25 – +55 °C	55 °C
			JAF-KI-560-2/4-R-...-200/2								200 °C/2 h	F200
			JAF-KI-560-2/4-R-...-300/2								300 °C/2 h	F300
			JAF-KI-560-2/4-R-...-400/2								400 °C/2 h	F400
		3~400	JAF-KI-560M-2/4-R-...	50	6 / 1.5	21000 / 10500	177 / 44	23.7 / 11.9	2880 / 1440	-25 – +55 °C	55 °C	
			JAF-KI-560M-2/4-R-...-200/2							200 °C/2 h	F200	
			JAF-KI-560M-2/4-R-...-300/2							300 °C/2 h	F300	
			JAF-KI-560M-2/4-R-...-400/2							400 °C/2 h	F400	
* Smoke extraction mode: once for two hours												
630	Uni-directional	2	JAF-KI-630-2/4-U-...	3~400	50	12 / 3	30000 / 15000	298 / 74	26.8 / 13.4	2880 / 1440	-25 – +55 °C	55 °C
			JAF-KI-630-2/4-U-...-200/2								200 °C/2 h	F200
			JAF-KI-630-2/4-U-...-300/2								300 °C/2 h	F300
			JAF-KI-630-2/4-U-...-400/2								400 °C/2 h	F400
		3~400	JAF-KI-630M-2/4-U-...	50	16 / 4	35500 / 17700	414 / 103	31.6 / 15.8	2880 / 1440	-25 – +55 °C	55 °C	
			JAF-KI-630M-2/4-U-...-200/2							200 °C/2 h	F200	
			JAF-KI-630M-2/4-U-...-300/2							300 °C/2 h	F300	
			JAF-KI-630M-2/4-U-...-400/2							400 °C/2 h	F400	
	Reversible	2	JAF-KI-630-2/4-R-...	3~400	50	12 / 3	30000 / 15000	300 / 75	26.8 / 13.4	2880 / 1440	-25 – +55 °C	55 °C
			JAF-KI-630-2/4-R-...-200/2								200 °C/2 h	F200
			JAF-KI-630-2/4-R-...-300/2								300 °C/2 h	F300
			JAF-KI-630-2/4-R-...-400/2								400 °C/2 h	F400
		3~400	JAF-KI-630M-2/4-R-...	50	16 / 4	33000 / 16000	358 / 89	29.5 / 14.3	2880 / 1440	-25 – +55 °C	55 °C	
			JAF-KI-630M-2/4-R-...-200/2							200 °C/2 h	F200	
			JAF-KI-630M-2/4-R-...-300/2							300 °C/2 h	F300	
			JAF-KI-630M-2/4-R-...-400/2							400 °C/2 h	F400	