

Insulating transformer TRF-220/12-25



Application

• Low-voltage step-down transformers are used in humid premises as bathroom and kitchen with low-voltage (12 V) safety requirements. TRF transformers are used to provide safe power voltage 12 V/ 50 Hz for the domestic fans not more than 16 W (25VA) with current load up to 2 A.

Design

• Transformer for flush mounting. The transformer casing is made of plastic and supplied with a protective terminal box. Electrical connection of the fan with the safe voltage 12 V is done through the output terminal block.

• For overload protection the transformer is equipped with a replaceable melting fuse built in the input terminal board.

• Protection rating (except terminal blocks) IP 40.

Mounting

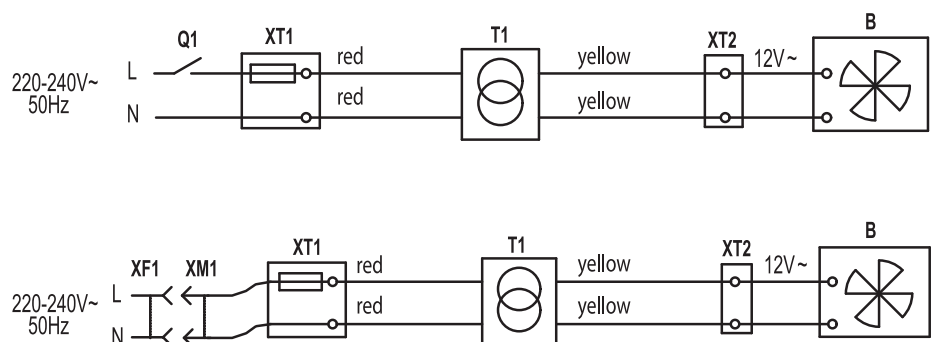
• Transformer is designed for indoor installation in areas not subjected to high humidity and temperature influence.

• Transformer is designed for ceiling flush mounting or recess wall mounting. In case of installation into a junction box provide sufficient air ventilation to prevent the device overheating.

• Observe the applicable fire safety requirements while installation and operation. Do not install transformers above heating equipment.

Technical data

	TRF-220/12-25
Voltage [V] at 50 Hz	1 - 230
Output voltage [V] / 50 Hz	12
Max. load power, no more	16 (25 VA)
Maximum load current [A]	2,0
Overall dimensions LxBxH [mm]	Transformer 91x58x62 Terminal box 110x40x40
Maximum ambient temperature [°C]	+40
Protection	IP 40
Weight [kg]	0,8



Transformer wiring diagrams

Q1 – external switch integrated into fixed wiring system;

XT1 – input terminal block with built-in fuse in the protecting terminal box;

XF1 – socket integrated into fixed wiring system;

XM1 – standard wall plug;

T1 – transformer;

XT2 – output terminal block for connection of 12 V fan.

B – low voltage fan, 12 V.