



EN

**CENTRIFUGAL INLINE FAN  
USER'S MANUAL**

TT

## CONTENTS

Delivery set .....	6
Brief description .....	6
Fan modifications .....	6
Operation guidelines .....	7
Designation key .....	8
Mounting .....	9
Control logic.....	10
Maintenance .....	12
Transportation and storage rules .....	12
Manufacturer's warranty .....	13

This user's manual is a main operating document intended for technical, maintenance, and operating staff. The manual contains information about purpose, technical details, operating principle, design, and installation of the TT unit and all its modifications.

Technical and maintenance staff must have theoretical and practical training in the field of ventilation systems and should be able to perform works in accordance with workplace safety rules as well as construction norms and standards applicable in the territory of the country.

The information in this user's manual is correct at the time of the document's preparation.

The Company reserves the right to modify the technical characteristics, design, or configuration of its products at any time in order to incorporate the latest technological developments.

No part of this publication may be reproduced, stored in a retrieval system, or transmitted, in any form or by any means in any information search system or translated into any language in any form without the prior written permission of the Company.



**READ THE USER'S MANUAL CAREFULLY BEFORE PROCEEDING WITH INSTALLATION WORKS  
COMPLIANCE WITH THE MANUAL REQUIREMENTS ENSURES RELIABLE OPERATION AND LONG  
SERVICE LIFE OF THE UNIT  
KEEP THE USER'S MANUAL AVAILABLE AS LONG AS YOU USE THE UNIT. YOU MAY NEED TO RE-  
READ THE INFORMATION ON THE PRODUCT SERVICING**



**FOLLOW THE USER'S MANUAL REQUIREMENTS TO ENSURE DURABLE AND TROUBLE-FREE OPERATION OF THE UNIT.**

Disconnect the unit from power supply prior to any connection, servicing, maintenance, and repair operations.

**Only qualified electricians with a work permit for electrical units up to 1000 V are allowed for installation and maintenance. The present user's manual should be carefully read before beginning works.**

- Single-phase power mains must comply with the acting local electrical norms and standards.
- Fixed electrical wiring must be equipped with an automatic circuit breaker.
- The unit must be connected to power mains through a QF automatic circuit breaker integrated into the fixed wiring system. The gap between the circuit breaker contacts on all poles must be not less than 3 mm. Check the unit for any visible damages of the impeller and the casing before starting installation. The casing internals must be free of any foreign objects that can damage the impeller blades.
- While mounting the unit, avoid compression of the casing! Deformation of the casing may result in the motor jam and noisy operation. Misuse of the unit and any unauthorised modifications are not allowed.
- Take steps to prevent ingress of smoke, carbon monoxide, and other combustion products into the room through open chimney flues or other fire-protection devices. Sufficient air supply must be provided for proper combustion and exhaust of gases through the chimney of fuel burning

equipment to prevent back drafting. Transported air must not contain any dust or other solid impurities, sticky substances, or fibrous materials.

- Do not use the unit in a hazardous or explosive environment containing spirits, gasoline, insecticides, etc.
- Do not close or block the intake or extract vents in order to ensure the efficient air flow.
- Do not sit on the unit and do not put objects on it.
- The unit is allowed to be used by children aged from 8 years old and above and persons with reduced physical, sensory, or mental capabilities or no experience and knowledge provided that they have been given supervision or instruction regarding safe use of the unit and understand the risks involved.
- Do not allow children to play with the unit.



**THE PRODUCT MUST BE DISPOSED SEPARATELY AT THE END OF ITS SERVICE LIFE  
DO NOT DISPOSE THE UNIT AS UNSORTED MUNICIPAL WASTE**

## DELIVERY SET

Fan: 1 pc.

Screws and dowels: 4 pcs.

Plastic screwdriver (all fans with a timer): 1 pc.

User's manual: - 1 pc.

Packing box: 1 pc.

## BRIEF DESCRIPTION

The unit described herein is an axial mixed-flow fan for supply or exhaust ventilation of premises.

The fan is designed for connection to 100, 125, 150, 160, 250 und 315 mm air ducts.

The fans for 100, 125, 150, 160 mm air ducts have a two-speed motor and the fans for 250 and 315 mm have a single-speed motor.

## FAN MODIFICATIONS

**VENTS TT XXX:** basic model

**VENTS TT XXX S:** model with high-powered motor

**VENTS TT XXX V:** model with integrated speed switch

**VENTS TT XXX RV:** model with integrated speed switch and power cable with plug (Fig. 32)

**VENTS TT XXX T:** model with turn-off delay timer adjustable from 2 to 30 minutes (Fig. 31)

**VENTS TT XXX U(U1):** model with a speed controller with electronic thermostat, integrated temperature sensor and power cable with plug (Fig. 33)

**VENTS TT XXX Un (U1n):** model with a speed controller with electronic thermostat, external temperature sensor fixed on 4 m cable and power cable with plug (Fig. 33)

**VENTS TT XXX P:** model with speed controller and power cable with plug (Fig. 34)

**XXX:** spigot diameter

## OPERATION GUIDELINES

The fan is rated for connection to single-phase ac 220-240 V/ 50 (60) Hz power mains.

The unit is rated for continuous operation.

The arrow on the fan casing must match the air direction in the system.

Ingress protection rating against access to hazardous parts and water ingress is IPX4.

The fan is rated for operation at the ambient air temperature from +1 °C up to +45 °C.

The transported air temperature must not exceed +60 °C.

The unit is rated as a Class II electrical appliance.

## DESIGNATION KEY

TT	XXX	S	X
			<p><b>Modifications:</b></p> <p><b>T:</b> timer</p> <p><b>U:</b> electronic temperature-dependent control unit, integrated duct temperature sensor, 0.4 m power cable.</p> <p><b>Un:</b> electronic temperature-based control unit, external temperature sensor, 0.4 m power cable.</p> <p><b>U1:</b> electronic timer-based control unit, integrated duct temperature sensor, 0.4 m power cable.</p> <p><b>U1n:</b> electronic timer-based control unit, external temperature sensor, 0.4 m power cable.</p> <p><b>P:</b> built-in speed controller and 0.4 power cable.</p> <p><b>R:</b> 0.4 power cable</p> <p><b>V:</b> switch</p>
			<p><b>High-powered motor</b></p>
			<p><b>Spigot diameter [mm]</b></p>
			<p><b>Inline fan</b></p>



## MOUNTING

The fan is designed for horizontal or vertical installation on the floor, on the wall or on the ceiling (Fig. 1). The fan can be installed independently or as part of a set with parallel or in-series connection (Fig. 2).

To be installed on the intake spigot side:

- 1 m long air duct in case of horizontal fan installation
- ventilation hood in case of vertical fan installation

The exhaust spigot must always be connected to the air duct.

The fan mounting steps are shown in Fig. 3–10 and 25-30.

The wiring diagrams are shown in Fig. 11-24.

### Terminal designations:

**L1:** minimum speed terminal

**L2:** maximum speed terminal

**QF:** automatic circuit breaker

**S:** external speed switch

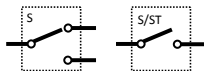
**ST:** external switch (for example, light switch)

**X:** input terminal block

Automatic circuit breaker designation



External switch designation



Automatic circuit breaker



External switch



## CONTROL LOGIC

**TT XXX T** fan starts running after the external switch supplies control signal to the LT input terminal (for example, during turning the light on).

After removal of the control signal the fan continues to run within the set time (adjustable with the turn-off delay timer from 2 to 30 minutes).

To adjust the fan turn-off delay time, rotate the control knob T clockwise to increase and counter-clockwise to decrease the turn-off delay time respectively (Fig. 31).

**Warning!** The timer circuit is under mains voltage. Disconnect the fan from power supply prior to any adjustment operations. The fan delivery set includes a specially designed plastic screwdriver for adjustment of the fan parameters. Use exclusively the delivered plastic screwdriver to adjust the turn-off delay time. Do not use a metal screwdriver, knife, etc. for adjustment operations not to damage the circuit board.

The **TT XXX U (U1)** fan is equipped with an electronic TSC control unit (speed controller with electronic thermostat) for automatic speed control (air flow control) depending on the air temperature (Fig. 33).

The terminal box cover incorporates 2 control knobs:

- for setting the fan speed;
- for setting the thermostat set point.

The thermostat LED light is located on the fan casing.

The thermostat LED glows as air temperature exceeds the set point.

To set the thermostat set point rotate the temperature control knob clockwise to increase or counter-clockwise to decrease the temperature set point accordingly.

To set the fan speed (air flow) rotate the speed control knob in the same way.

**The fan functioning logic may be based on temperature or timer controls:**

- temperature-based functioning (**model TT XXX U**) is used to keep air temperature to within 2 °C. In this case the fan switches are rare. The fan switches to the maximum speed as the room air temperature exceeds the set point.

As the air temperature drops down 2 °C below the temperature set point or if the initial temperature is below the set point, the fan operates with the set speed.

- timer-based functioning (**model TT XXX U1**) is used for exact air temperature control. The speed switches are more frequent as compared to the temperature-based functioning logic, but one speed interval continues at least 5 minutes. As the indoor air temperature exceeds the set point, the fan switches to the maximum speed. As the room air temperature drops down below the temperature set point, the timer starts 5 minutes countdown and then the fan switches to the set lower speed.

If the initial air temperature is below the set point, the fan operates with the low speed from the start.

The **TT XXX P** fan is equipped with a speed controller that enables switching the fan on/off, smooth speed (air flow) control from minimum to maximum value (Fig. 34).

## MAINTENANCE

Clean the fan surfaces of dirt and dust each 6 months (Fig. 35–41).

Disconnect the fan from power supply prior to any maintenance operations.

For cleaning the fan use a soft cloth or a brush wetted in a mild detergent solution.

Avoid water dripping on the electric components (Fig. 40)!

Wipe the fan surfaces dry after cleaning.

## TRANSPORTATION AND STORAGE RULES

- Store the unit in the manufacturer's original packaging box in a dry closed ventilated premise with temperature range from +5 °C to +40 °C and relative humidity up to 70 %.
- Storage environment must not contain aggressive vapours and chemical mixtures provoking corrosion, insulation, and sealing deformation.
- Use suitable hoist machinery for handling and storage operations to prevent possible damage to the unit.
- Follow the handling requirements applicable for the particular type of cargo.
- The unit can be carried in the original packaging by any mode of transport provided proper protection against precipitation and mechanical damage. The unit must be transported only in the working position.
- Avoid sharp blows, scratches, or rough handling during loading and unloading.
- Prior to the initial power-up after transportation at low temperatures allow the unit to warm up at room temperature for at least 3-4 hours.

## MANUFACTURER'S WARRANTY

The product is in compliance with EU norms and standards on low voltage guidelines and electromagnetic compatibility. We hereby declare that the product complies with the provisions of Electromagnetic Council Directive 2014/30/EU, Low Voltage Directive 2014/35/EU and CE-marking Directive 93/68/EEC. This certificate is issued following test carried out on samples of the product referred to above.

The manufacturer hereby warrants normal operation of the unit for 24 months after the retail sale date provided the user's observance of the transportation, storage, installation, and operation regulations. Should any malfunctions occur in the course of the unit operation through the Manufacturer's fault during the guaranteed period of operation, the user is entitled to get all the faults eliminated by the manufacturer by means of warranty repair at the factory free of charge. The warranty repair includes work specific to elimination of faults in the unit operation to ensure its intended use by the user within the guaranteed period of operation. The faults are eliminated by means of replacement or repair of the unit components or a specific part of such unit component.

### **The warranty repair does not include:**

- routine technical maintenance
- unit installation/dismantling
- unit setup

To benefit from warranty repair, the user must provide the unit, the user's manual with the purchase date stamp, and the payment paperwork certifying the purchase. The unit model must comply with the one stated in the user's manual. Contact the Seller for warranty service.

### **The manufacturer's warranty does not apply to the following cases:**

- User's failure to submit the unit with the entire delivery package as stated in the user's manual including submission with missing component parts previously dismantled by the user.
- Mismatch of the unit model and the brand name with the information stated on the unit packaging and in the user's manual.
- User's failure to ensure timely technical maintenance of the unit.

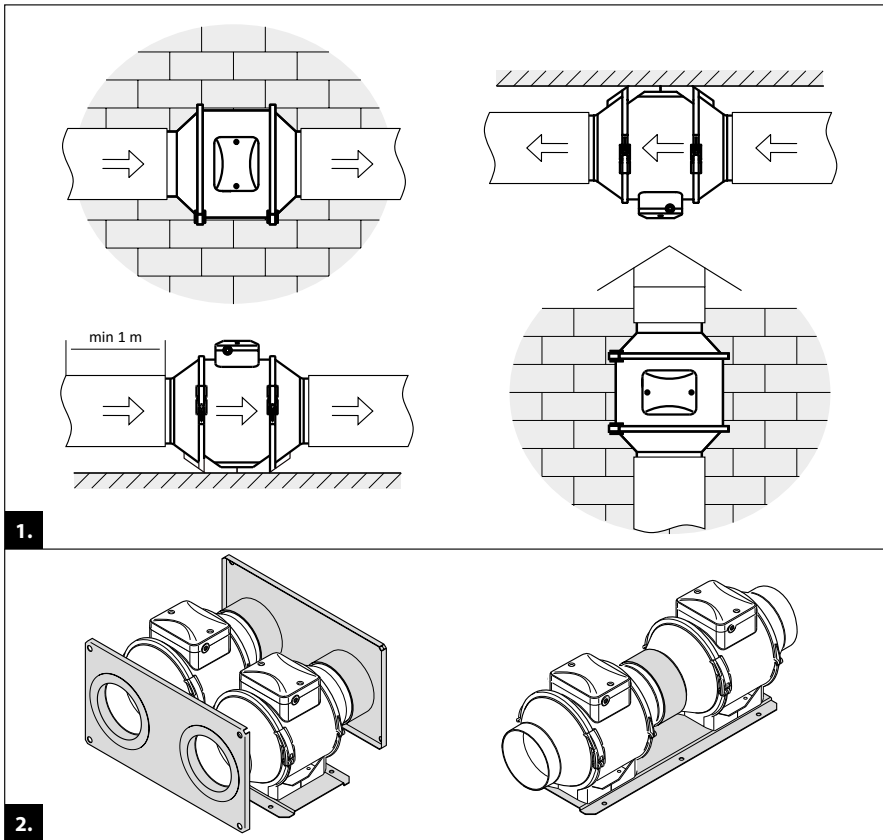
- External damage to the unit casing (excluding external modifications as required for installation) and internal components caused by the user.
- Redesign or engineering changes to the unit.
- Replacement and use of any assemblies, parts and components not approved by the manufacturer.
- Unit misuse.
- Violation of the unit installation regulations by the user.
- Violation of the unit control regulations by the user.
- Unit connection to power mains with a voltage different from the one stated in the user's manual.
- Unit breakdown due to voltage surges in power mains.
- Discretionary repair of the unit by the user.
- Unit repair by any persons without the manufacturer's authorization.
- Expiration of the unit warranty period.
- Violation of the unit transportation regulations by the user.
- Violation of the unit storage regulations by the user.
- Wrongful actions against the unit committed by third parties.
- Unit breakdown due to circumstances of insuperable force (fire, flood, earthquake, war, hostilities of any kind, blockades).
- Missing seals if provided by the user's manual.
- Failure to submit the user's manual with the unit purchase date stamp.
- Missing payment paperwork certifying the unit purchase.

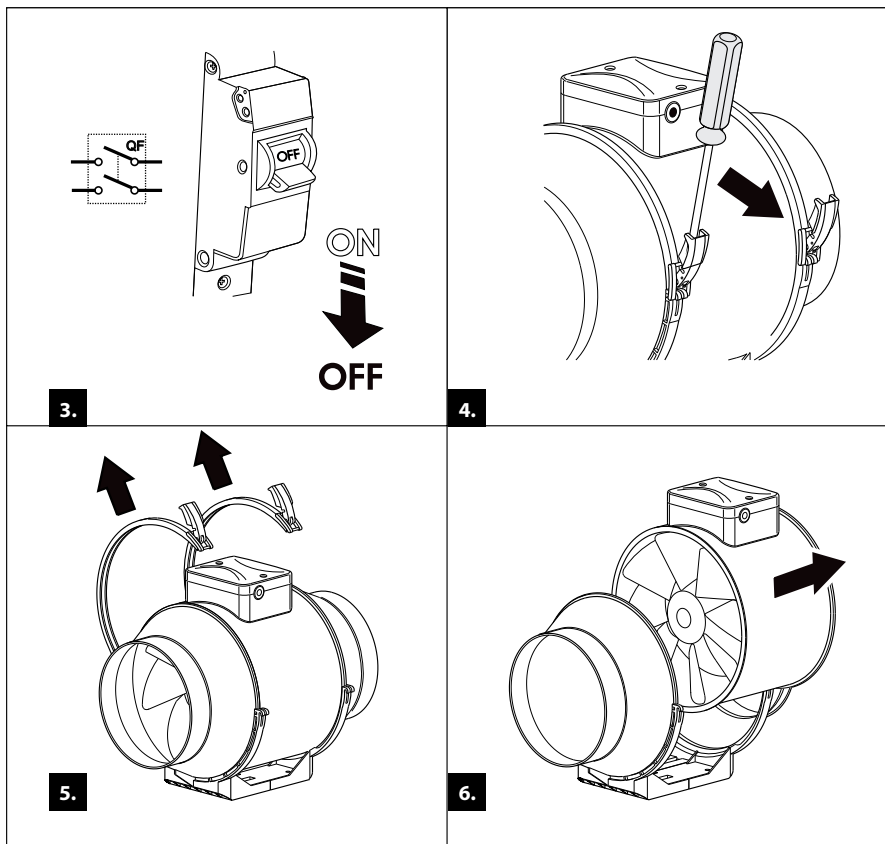


**FOLLOWING THE REGULATIONS STIPULATED HEREIN WILL ENSURE A LONG AND TROUBLE-FREE OPERATION OF THE UNIT.**

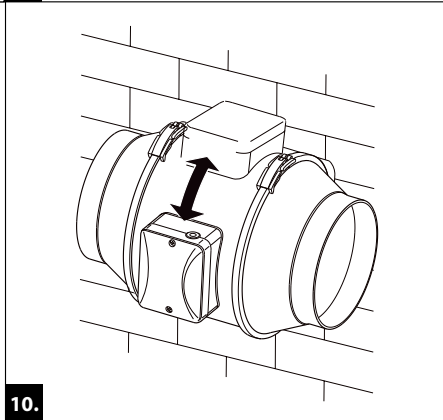
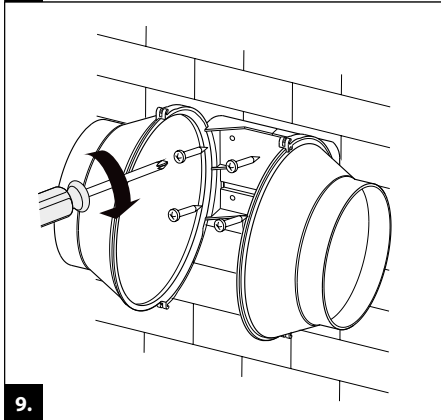
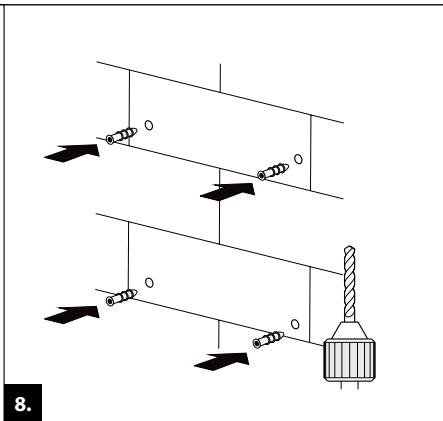
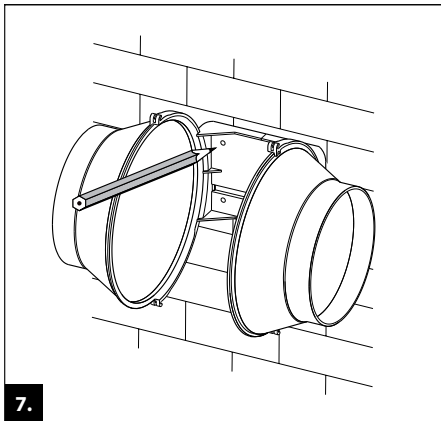


**USER'S WARRANTY CLAIMS SHALL BE SUBJECT TO REVIEW ONLY UPON PRESENTATION OF THE UNIT, THE PAYMENT DOCUMENT AND THE USER'S MANUAL WITH THE PURCHASE DATE STAMP.**

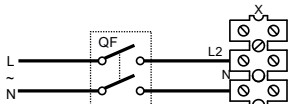




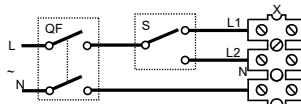




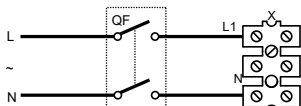
**TT 100/125**



**11.** MAX



**12.** MAX / MIN

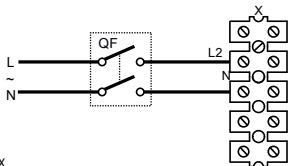


**13.** MIN

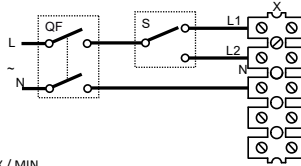


**14.**

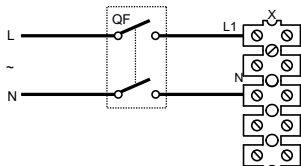
**TT 125S/150/160**



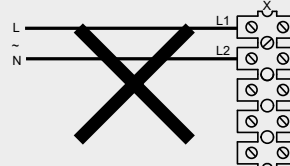
**15.** MAX



**16.** MAX / MIN



**17.** MIN

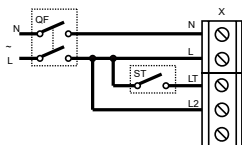


**18.**

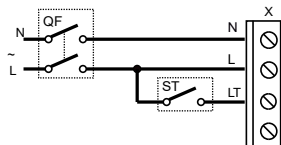
TT XXX T

19.

MAX



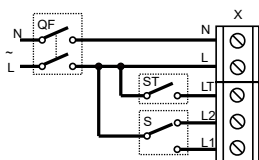
Terminal box for 5 contacts



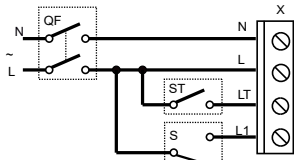
Terminal box for 4 contacts

20.

MAX / MIN



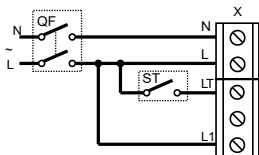
Terminal box for 5 contacts



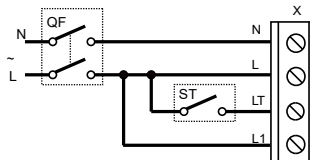
Terminal box for 4 contacts

21.

MIN

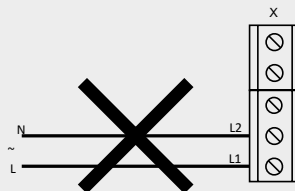


Terminal box for 5 contacts

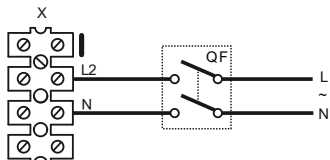


Terminal box for 4 contacts

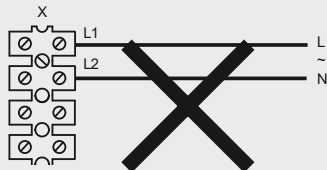
22.



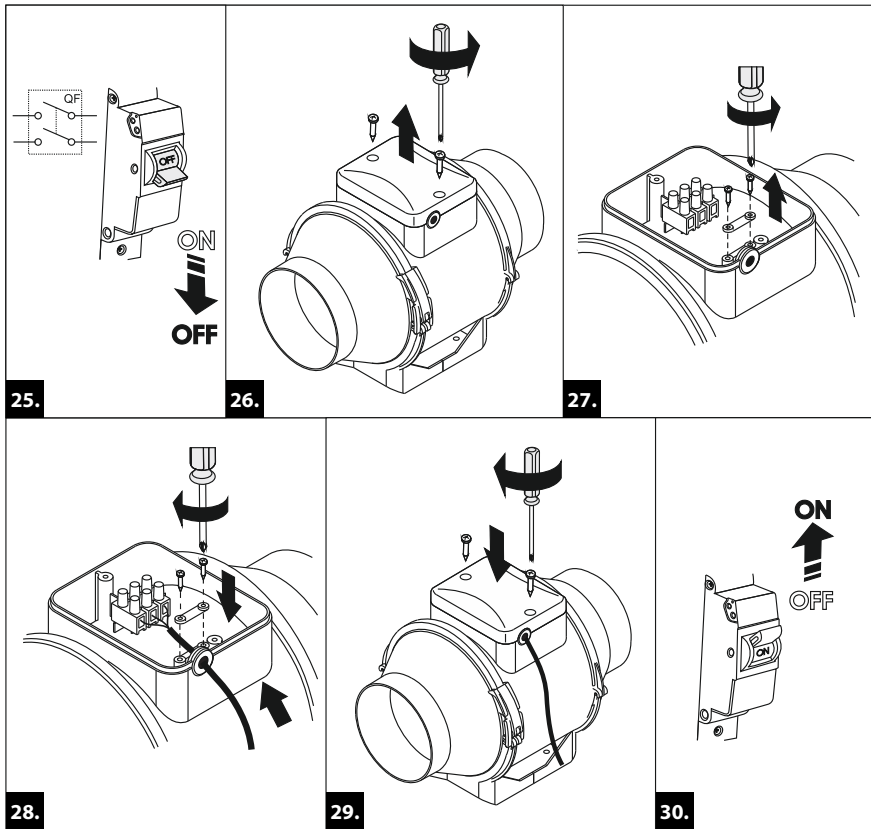
## TT 250, TT 315

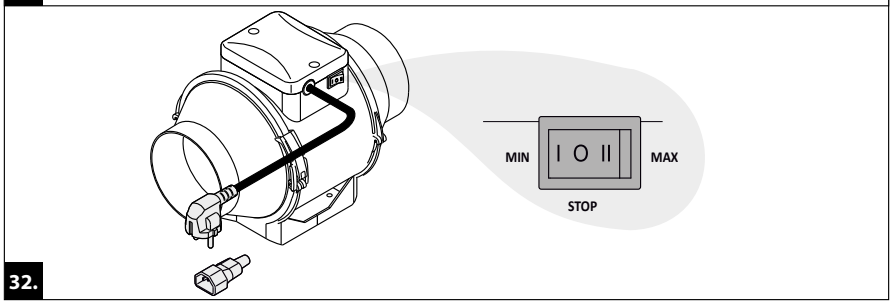
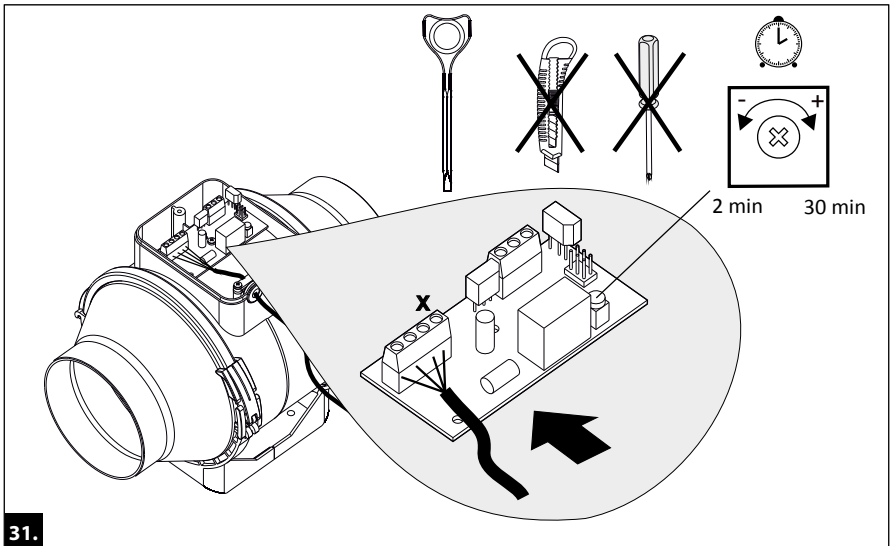


23. MAX

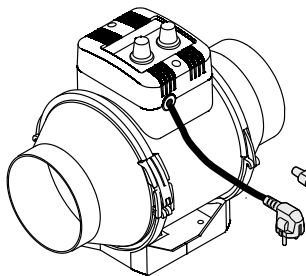


24.

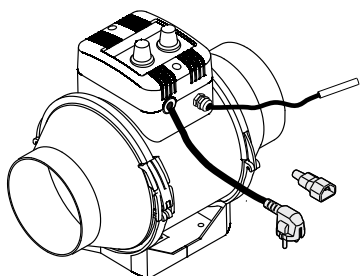




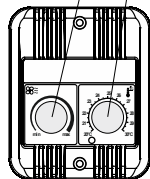
**TT U (U1)**



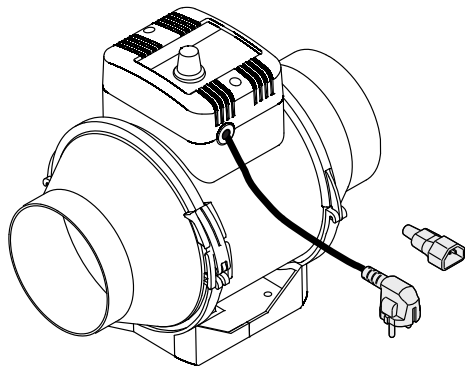
**TT Un (U1n)**



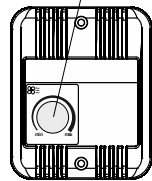
Temperature control knob  
Speed control knob



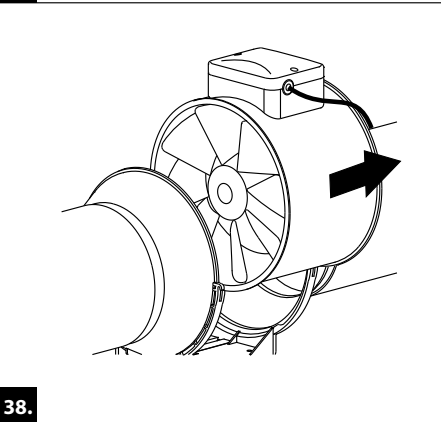
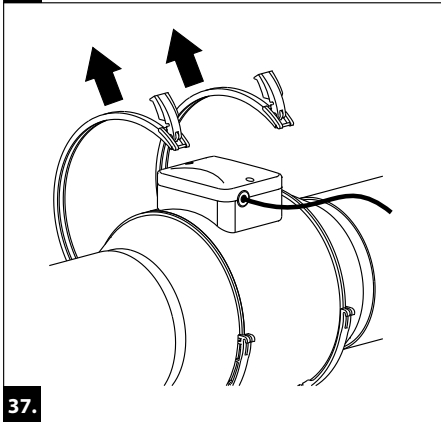
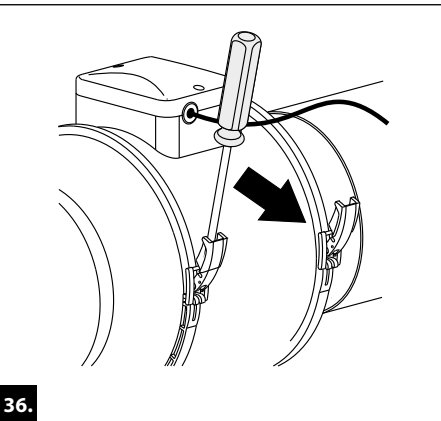
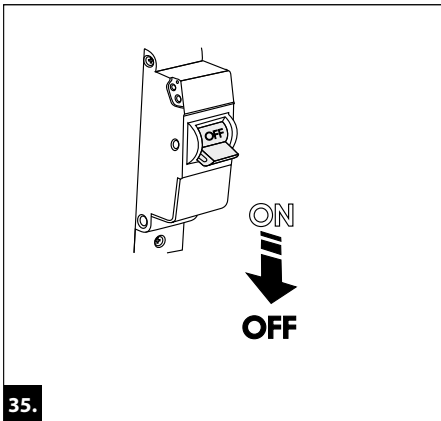
**33.**



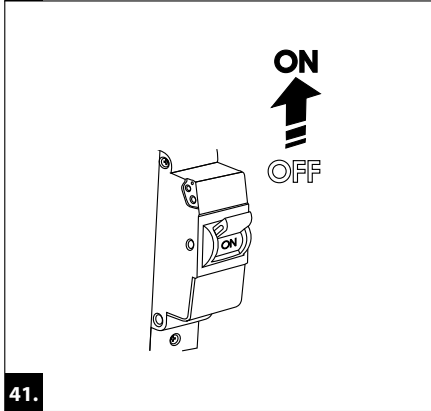
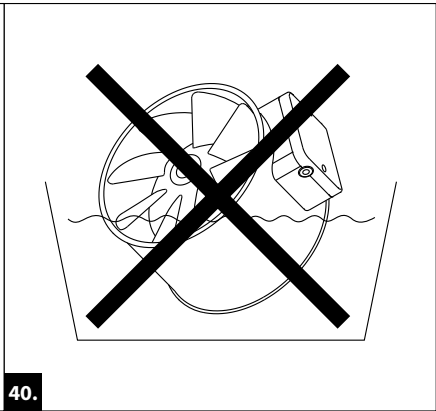
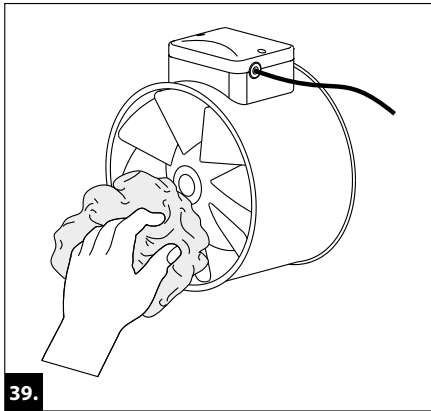
Speed control knob



**34.**

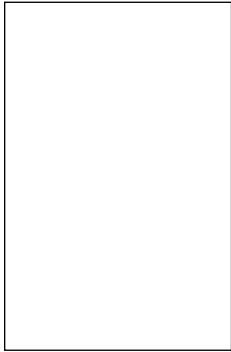




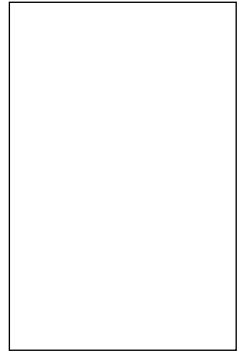




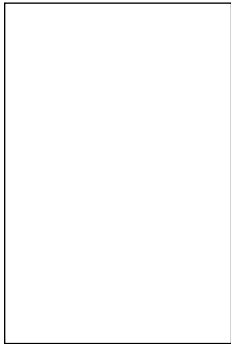
Approval mark



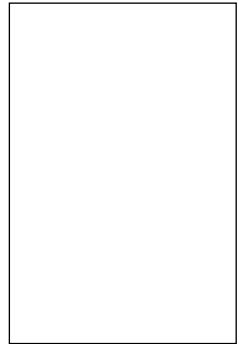
Sold  
(name and stamp of the seller)



Manufacturing date



Sales date



Certificate of acceptance

100  V  1  n

125  RV

125C  T

TT 150  U

160  P

250

315

The fan is recognized as serviceable.